



FMG3326F FMG3326F-LP
 FMG3726L FMG3726L-LP
 FMG3726R FMG3726R-LP
 FMG4126B FMG4126B-LP
 FMG4326F FMG4326F-LP
 FMG4726L FMG4726L-LP
 FMG4726R FMG4726R-LP
 FMG5126B FMG5126B-LP

Instruction Manual



WARNING: IF THE INFORMATION IN THESE INSTRUCTIONS ARE NOT FOLLOWED EXACTLY, A FIRE OR EXPLOSION MAY RESULT CAUSING PROPERTY DAMAGE, PERSONAL INJURY, OR LOSS OF LIFE.

Do not store or use gasoline or other flammable vapors and liquids in the vicinity of this or any other appliance.

WHAT TO DO IF YOU SMELL GAS.

- Do not try to light any appliance.
- Do not touch any electrical switch; do not use any phone in your building.
- Leave the building immediately.
- Immediately call your gas supplier from a neighbor's phone. Follow the gas supplier's instructions.
- If you cannot reach your gas supplier, call the fire department.

Installation and service must be performed by a qualified installer, service agency or the gas supplier.

DANGER



HOT GLASS WILL CAUSE BURNS.

DO NOT TOUCH GLASS UNTIL COOLED.

NEVER ALLOW CHILDREN TO TOUCH GLASS.

A barrier designed to reduce the risk of burns from the hot viewing glass is provided with this appliance and shall be installed for the protection of children and other-at risk individuals.

GAS-FIRED



Certified to:
 CSA 2.17-2017
 ANSI Z21.88-2019
 CSA 2.33-2019

Installer: Please complete the details on the back cover and leave this manual with the homeowner.

Homeowner: Please keep these instructions for future reference.

FRENCH VERSION: Is available online at faberfires.com

Table of Contents

SAFETY INFORMATION	4
Fireplace Information	7
UL Certification.	7
Fireplace Information	8
Installation Information.	8
Maintenance Log	9
Label	10
Technical Dimensions FMG3326F/FMG3326F-LP	11
Technical Dimensions FMG3726L/FMG3726L-LP	12
Technical Dimensions FMG3726R/FMG3726R-LP	13
Technical Dimensions FMG4126B/FMG4126B-LP	14
Technical Dimensions FMG4326F/FMG4326F-LP	15
Technical Dimensions FMG4726L/FMG4726L-LP	16
Technical Dimensions FMG4726R/FMG4726R-LP	17
Technical Dimensions FMG5126B/FMG5126B-LP	18
Gas Fireplace Operation	19
Remote Control Instructions.	19
Receiver and Remote Batteries	24
Pairing Remote with Fireplace Receiver	24
Installation Steps.	25
Installation Preparation	26
Fireplace Unpacking and Contents.	26
Fireplace Positioning	23
Vent Termination.	28
Instructions	28
Vent Size	28
Minimum Combustible Clearances from Vent.	29
Minimum Clearances to Vent Termination	30
Unit Installation with Horizontal Termination	31
Unit Installation with Vertical Termination	33
Minimum Venting Requirements - Natural Gas	35
Chase and Framing Installation and Planning	39
Clearances	42
Material Specifications.	42
Minimum Combustible Clearances from Vent Pipe	43
Chase Clearances	44
Additional Clearances	45
Mantel Clearance.	46
Clearance to Sprinkler	46
Finishing Around Front of the Fireplace	47

Table of Contents

Heat Releases and Air Intakes	48
Heat Releases	48
Air Intake	48
Examples of Heat Releases and Air Intakes.	49
Television Mounting Information	50
Flat with Recessed TV	51
Recessed with recessed TV	51
Television Install Flush Above Fireplace	52
Television Install Without Recess	52
Gas Installation	53
General	53
Gas Valve.	54
Accessing the Gas Valve and Electronic Receiver.	54
Installation at High Altitude	55
Gas Valve Access Door	55
Commonwealth of Massachusetts	56
Electric and Control	57
Wiring Diagram	57
Power Source	57
Wall Switch - Optional	58
Final Installation	59
Media Arrangement	59
Sealing the glass	64
Feature Removal.	65
Safety Screen Removal	65
Glass Removal	66
Replacement Parts	67
Maintenance	68
Maintenance Instructions.	68
Yearly Service	69
Flame Pattern	70
Log Replacement.	71
Glass Gasket	71
Glass	71
Glass Replacement	72
General Vent Maintenance.	72
Troubleshooting Guide	73
Warranty.	75

SAFETY INFORMATION

WARNING

- This appliance is hot when operated and can cause severe burns if contacted.
- Any changes or alterations to this appliance or its controls can be dangerous and is prohibited.
- Do not operate appliance before reading and understanding operating instructions. Failure to operate appliance according to operating instructions could cause fire or injury.
- Risk of fire or asphyxiation. Do not operate appliance with fixed glass removed and never obstruct the front opening of the appliance.
- Risk of burns. The appliance should be turned off and cooled before servicing.
- Do not install damaged, incomplete or substitute components.
- Risk of cuts and abrasions. Wear protective gloves, protective footwear, and safety glasses during installation. Sheet metal edges may be sharp.
- Do not burn wood or other materials in this appliance.
- Provide adequate ventilation and combustion air. Provide adequate accessibility clearance for servicing and operating the appliance.
- High pressure will damage valve. Disconnect gas supply piping before pressure testing gas line at test pressures above 1/2 PSIG. Close the manual shutoff valve before pressure testing gas line at test pressures equal to or less than 1/2 PSIG (35 mb).
- The appliance must not be operated at temperatures below freezing (0°C / 32°F).
- Children and adults should be alerted to hazards of high surface temperature and should stay away to avoid burns or clothing ignition.
- Clothing or other flammable material should not be placed on or near the appliance.
- Due to high temperatures, the appliance should be located out of traffic and away from furniture and draperies.
- Furniture or other objects must be kept a minimum of 3 feet (0.92 m) away from the front of the appliance.
- Ensure you have incorporated adequate safety measure to protect infants/toddlers from touching hot surfaces.
- Even after the appliance is off, it will remain hot for an extended period of time.
- Check with your local hearth specialty dealer for safety screens and hearth guards to protect children from hot surfaces.
- Any safety screen, guard or barrier removed for servicing the appliance, must be replaced prior to operating the appliance.
- The appliance area must be kept clear and free from combustible materials, gasoline and other flammable vapors and liquids.
- If the appliance shuts off, do not relight until you provide fresh air. If appliance keeps shutting off, have it serviced. Keep burner and control compartment clean.
- Under no circumstances should this appliance be modified.
- Do not allow wind or fans to blow directly into the appliance. Avoid any drafts that alter burner flame patterns.
- Do not use a blower insert, heat exchanger insert or other accessory not approved for use with this appliance.
- This appliance must not be connected to a chimney flue pipe serving a separate solid fuel burning appliance.
- Do not use this appliance if any part has been under water. Immediately call a qualified service technician to inspect the appliance and to replace any part of the control system and any gas control which has been under water.
- Do not operate the appliance with the glass removed, cracked, or broken. Replacement of the glass should be done by a licensed or qualified service person if equipped.
- Only optional fronts certified with the appliance are to be installed on the appliance.
- Keep the packaging material out of reach of children and dispose of the material in a safe manner. As with all plastic bags, these are not toys and should be kept away from children and infants.
- If equipped, the screen must be in place (closed) when the appliance is in operation.

SAFETY INFORMATION

WARNING

- When equipped with pressure relief doors, they must be kept closed while the appliance is operating to prevent exhaust fumes containing carbon monoxide, from entering the home. Temperatures of the exhaust escaping through these openings can also cause the surrounding combustible materials to overheat and catch fire.
- Carbon monoxide poisoning may lead to death; early signs of carbon monoxide poisoning resemble the flu, with headache, dizziness and/or nausea. If you have these signs, the appliance may not be working properly. Get fresh air at once! Have appliance serviced. Some people; pregnant women, persons with heart or lung disease, anemia, those under the influence of alcohol, those at high altitudes are more affected by carbon monoxide than others. Failure to keep the primary air opening(s) of the burner(s) clean may result in sooting and property damage.
- As with any combustion appliance, we recommend having your appliance regularly inspected and serviced as well as having a Carbon Monoxide Detector installed in the same area to defend you and your family against Carbon Monoxide Poisoning (not applicable for outdoor appliances).
- Ensure clearances to combustibles are maintained when building a mantel or shelves above the appliance. Elevated temperatures on the wall or in the air above the appliance can cause melting, discoloration or damage to decorations, a TV or other electronic components.
- For appliances equipped with a safety barrier; if the barrier becomes damaged, the barrier shall be replaced with the manufacturer's barrier for this appliance.
- Installation and repair should be done by a qualified service person. The appliance and its venting system should be inspected before use and at least annually by a qualified service person. More frequent cleaning may be required due to excessive lint from carpeting, bedding material, etc. It is imperative that control compartments, burners and circulating air passageways of the appliance be kept clean.

WARNING

These direct vent fireplaces must be electrically grounded in accordance with the local codes or, in the absence of local codes, with National Electric code, ANSI/NFPA 70, or the Canadian Electric Code, CSA C22.1.

WARNING

Never leave children or other at-risk individuals alone with the appliance.

WARNING

Failure to install this appliance correctly will void your warranty and may cause a serious house fire.

WARNING

The direct vent system appliance must be installed as an OEM installation in manufactured homes (USA only) or an aftermarket permanently located, or a mobile home where not prohibited by local codes and must be installed in accordance with Manufacturer's instructions and the Manufactured Home Construction and Safety Standard, Title 24 CFR, Part 3280 in the United States, or the Standard for Installation in Mobile Homes CAN/CSA Z240 MH Series in Canada.

This appliance is only for use with the type(s) of gas indicated on the rating plate.

This product is listed to ANSI standards for ANSI Z21.88/CSA 2.33-2019 - Vented Gas Fireplace Heaters Fireplaces CSA 2.17-2017 Gas-Fired Appliance for Use at High Altitudes - Fourth Edition.

WARNING

CARBON MONOXIDE POISONING HAZARD

Failure to follow the steps outlined below for each appliance connected to the venting system being placed into operation could result in carbon monoxide poisoning or death. The following steps shall be followed for each appliance connected to the venting system being placed into operation, while all other appliances connected to the venting system are not in operation:

1. Seal any unused openings in the venting system.
2. Inspect the venting system for proper size and horizontal pitch, as required in the National Fuel Gas Code, ANSI Z223.1/NFPA 54 or the National Gas and Propane Installation Code, CSA B149.1 and these instructions. Determine that there is no blockage or restriction, leakage, corrosion and other deficiencies which could cause an unsafe condition.
3. As far as practical, close all building doors and windows and all doors between the space in which the appliance(s) connected to the venting system are located and other spaces of the building.
4. Close fireplace dampers.
5. Turn on clothes dryers and any appliance not connected to the venting system. Turn on any exhaust fans, such as range hoods and bathroom exhausts, so they are operating at maximum speed. Do not operate a summer exhaust fan.
6. Follow the lighting instructions. Place the appliance being inspected into operation. Adjust the thermostat so appliance is operating continuously.
7. Test for spillage from draft hood equipped appliances at the draft hood relief opening after 5 minutes of main burner operation. Use the flame of a match or candle.
8. If improper venting is observed during any of the above tests, the venting system must be corrected in accordance with National Fuel Gas Code, ANSI 2223.1/NFPA and/or Natural Gas and Propane Installation Code, CSA B149.1.
9. After it has been determined that each appliance connected to the venting system properly vents when tested as outlined above, return doors, windows, exhaust fans, fireplace dampers and any other gas-fired burning appliances to their previous conditions of use.

WARNING

Due to high temperatures, the appliance should be located out of traffic and away from furniture and draperies.

Children and adults should be alerted to the hazards of high surface temperature and should stay away to avoid burns or clothing ignition.

WARNING

This appliance must be electrically wired and grounded in accordance with local codes, or in the absence of local codes, with National Electric Code ANSI/NFPA 70-latest edition or the Canadian Electric Code CSA C22.1. A 110–120 V AC circuit for this product must be protected with ground-fault circuit-interrupter protection, in compliance with the applicable electrical codes, when it is installed in locations such as in bathrooms or near sinks.

WARNING

Young children should be carefully supervised when they are in the same room as the appliance. Toddlers, young children and others may be susceptible to accidental contact burns. A physical barrier is recommended if there are at risk individuals in the house. To restrict access to an appliance or stove, install an adjustable safety gate to keep toddlers, young children, and other at risk individuals out of the room and away from hot surfaces.



Faber requires installation be performed by an NFI-certified installer or a certified Faber installer. Installations that do not follow this instruction will not be covered by warranty or serviced.

We recommend removing the glass with the suction cups supplied by the manufacturer. When glass is cooled, lower the glass to rest in a safe place. This is to prevent damage to the glass edges. Extra care must be taken when removing/installing the glass. Breakage or damage to the edge of the glass which occurs as a result of careless handling will not be covered under warranty.

Fireplace Information



With 175 years of craftsmanship, innovations, a visionary outlook and our passion, we have become the expert in fires. Faber is responsible for inventions that have become standard around the world, and they are our pride and passion!

The fire makers of Faber develop the most beautiful ambient fires. However, that passion goes beyond the fire, its connective and calming effect is just as important to us. We want you to enjoy atmosphere and cosiness together with your friends and family.

This manual should be used for following Faber Matrix models:

FMG3326F	FMG3326F-LP	FMG4326F	FMG4326F-LP
FMG3726L	FMG3726L-LP	FMG4726L	FMG4726L-LP
FMG3726R	FMG3726R-LP	FMG4726R	FMG4726R-LP
FMG4126B	FMG4126B-LP	FMG5126B	FMG5126B-LP

- All models share the same gas valve system, remote, gas connection, and glass type, simplifying installation and operation.
- All warnings and instructions apply to all models.
- Refer to the model name for specific model, clearance, and installation information.
- Faber fireplaces should only be connected to M&G DuraVent or ICC 5x8 venting systems. Refer to the specific appliance model and size to determine vent size and chimney pathway requirements.
- This product is listed to ANSI standards for "Vented Gas Fireplace Heaters" and applicable sections of "Gas Burning Heating Appliances for Manufactured Homes and Recreational Vehicles", and "Gas Fired Appliances for Use at High Altitudes".

UL Certification



All our fireplaces are tested and have been certified to meet stringent CSA guidelines, ensuring optimum quality, safety and efficiency.

Certification Information:

ANSI Z21.88/CSA 2.33-2019 - Vented Gas Fireplace Heaters

CSA2.17-2017 - Gas-Fired Appliances for Use at High Altitudes



INSTALLER : Leave this manual with the appliance.

CONSUMER: Retain this manual for future reference.

Installation Information

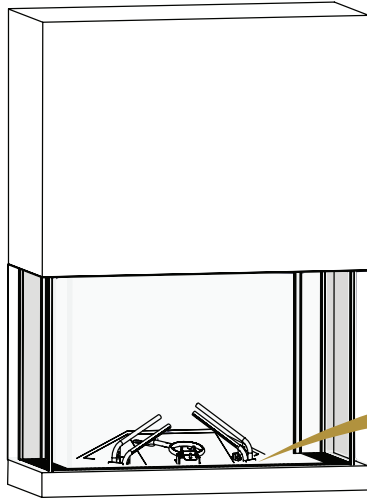
IMPORTANT The following must be completed by the qualified installer and be left with the owner of the property. The model and serial number of the unit can be found on the label affixed to the fireplace.

Unit Information	
Model Number	
Serial Number	
Owner Information	
Name	
Address	
Technician Information	
Name	
Company	
Technician NPI #	
Notes	

Fireplace Information

Maintenance Log

Service Date	Notes



Outer bottom trim and screen must be removed to access the label, which is attached by a chain and located in a dedicated slot under the grate in the location shown above.

DO NOT REMOVE THIS LABEL / NE PAS ENLEVER CETTE ÉTIQUETTE

faber

GLEN DIMPLEX AMERICAS
1367 INDUSTRIAL ROAD
CAMBRIDGE, ON, N3H 4W3 CANADA

SERIAL NUMBER:
NUMÉRO DE SÉRIE:

VENTED GAS FIREPLACE HEATER / FOYER AU GAZ À ÉVACUATION

CAT. NO:
N°. DE CAT.:

GAS-FIRED

LISTED

Certified to / Homologué:
ANSI Z21.88-2019 • CSA 2.33-2019,
CSA 2.17-2017
MH63634

PROPANE GAS / GAZ PROPANE

MINIMUM SUPPLY PRESSURE / PRESSION D'ALIMENTATION MINIMALE: 11" WC/C.E. (2.74 kPa)
 MANIFOLD PRESSURE - HIGH / PRESSION DE SORTIE - HAUTE : 10" WC/C.E. (2.49 kPa)
 MANIFOLD PRESSURE - LOW / PRESSION DE SORTIE - BASSE : 8" WC/C.E. (1.99 kPa)

ORIFICE SIZE / TAILLE DE L'ORIFICE
 CENTER BURNER / BRÛLEUR CENTRAL : #61 DMS
 FRONT RIGHT AND LEFT BURNER / BRÛLEUR AVANT DROIT ET GAUCHE : #66 DMS
 BACK RIGHT AND LEFT BURNER / BRÛLEUR ARRI RE DROIT ET GAUCHE : #64 DMS

MAXIMUM INPUT / DÉBIT CALORIFIQUE MAXIMAL :
42,500 Btu/h (12.45 kW)

MINIMUM INPUT / DÉBIT CALORIFIQUE MINIMAL :
28,000 Btu/h (8.21 kW)

ALTITUDE / ALTITUDE : 0 - 4,500 pi (0-1372 m)
120 V~, 60 Hz, less than / moins de 12 A

MINIMUM CLEARANCE TO NON-COMBUSTIBLES / DÉGAGEMENTS MINIMUMAUX PAR RAPPORT AUX NON-COMBUSTIBLES

SIDES / CÔTÉS 1/2" (1.2 cm)
BACK / ARRIÈRE 2" (5.1 cm)

MINIMUM CLEARANCES TO COMBUSTIBLES / DÉGAGEMENTS MINIMUMAUX PAR RAPPORT AUX COMBUSTIBLES

IN FRONT OF GLASS / DEVANT LA VITRE 36" (91.4 cm)

Follow installation instructions.
Suivre les instructions d'installation.

This appliance must be installed in accordance with local codes if any; if none, follow the National Fuel Gas Code, ANSI Z223.1/NFPA 54, or Natural Gas and Propane Installation Codes, CSA B149.1. This appliance must be installed in accordance with the Standard CAN/CSA Z240 MH, Mobile Housing, in Canada, or with the Manufactured Home Construction and Safety Standard, Title 24 CFR, Part 3280, in the United States, or when such a standard is not applicable, ANSI/NCSBCS A225.1/NFPA 501A, Manufactured Home Installations Standard. This appliance is only for use with the type of gas indicated on the rating plate and may be installed in an aftermarket, permanently located, manufactured home (USA only) or mobile home, where not prohibited by local codes. See owner's manual for details. This appliance is not convertible for use with other gases, unless a certified kit is used.

Vented gas fireplace heater - Not to use with solid fuel.
This vented gas fireplace heater is not to be used with air filters.

CAUTION: Do not operate the appliance with glass removed or broken. Replacement of the panel(s) should be done by a licensed or qualified service person. Make sure glass is properly sealed. Follow installation instructions.
For use only with barrier(s) Part No.(s) 0442980300 - FMG3326F-LP, 0442980200 & 0442980400 - FMG3726L-LP/R-LP, 0442980100 & 0442980200 (x2) -FMG4126B-LP. Follow the user guide.

Cet appareil doit être installé conformément aux codes et règlements locaux, ou, en l'absence de tels règlements, selon ANSI Z223.1/NFPA 54, *National Fuel Gas Code* ou CSA B149.1, Code d'installation du gaz naturel et du propane. Cet appareil doit être installé selon la norme CAN/CSA Z240 Série MM, Maisons mobiles, au Canada ou Title 24 CFR, Part 3280, *Manufactured Home Construction and Safety Standard*, aux États-Unis et là où cette norme ne s'applique pas, selon ANSI/NCSBCS A225.1/NFPA 501A, *Manufactured Home Installations Standard*. Cet appareil doit être utilisé uniquement avec le type de gaz indiqué sur la plaque signalétique et peut être installé dans une maison préfabriquée située en permanence (É. - U. seulement) ou dans une maison mobile si les codes locaux le permettent. Consulter le manuel d'installation pour plus de détails. Cet appareil n'est pas convertible pour l'utilisation avec d'autres gaz, sauf au moyen d'une trousse de conversion certifiée.

Foyer au gaz à évacuation. Ne pas utiliser avec un combustible solide.
Ne pas utiliser de filtre à air avec ce foyer au gaz à évacuation.

AVERTISSEMENT : Ne pas utiliser l'appareil si la vitre n'est pas en place, ou si elle est craquée ou brisée. Confier le remplacement de la/les vitre(s) à un technicien agréé. S'assurer que la vitre est scellée correctement. Suivre les instructions d'installation.
Utiliser uniquement avec l'écran n° 0442980300 - FMG3326F-LP, 0442980200 & 0442980400 - FMG3726L-LP/R-LP, 0442980100 & 0442980200 (x2) -FMG4126B-LP. Suivre les instructions d'installation.

CANADIAN ENERGY PERFORMANCE CERTIFIED
RENDMENT ÉNERGÉTIQUE CERTIFIÉ

CSA P.4.1 Fireplace Efficiency (FE) / Efficacité énergétique des foyers (EEF)
CSA P.4.1: Propane Gas / Gaz propane: 62.4%

MADE IN CANADA / FABRIQUÉ AU CANADA

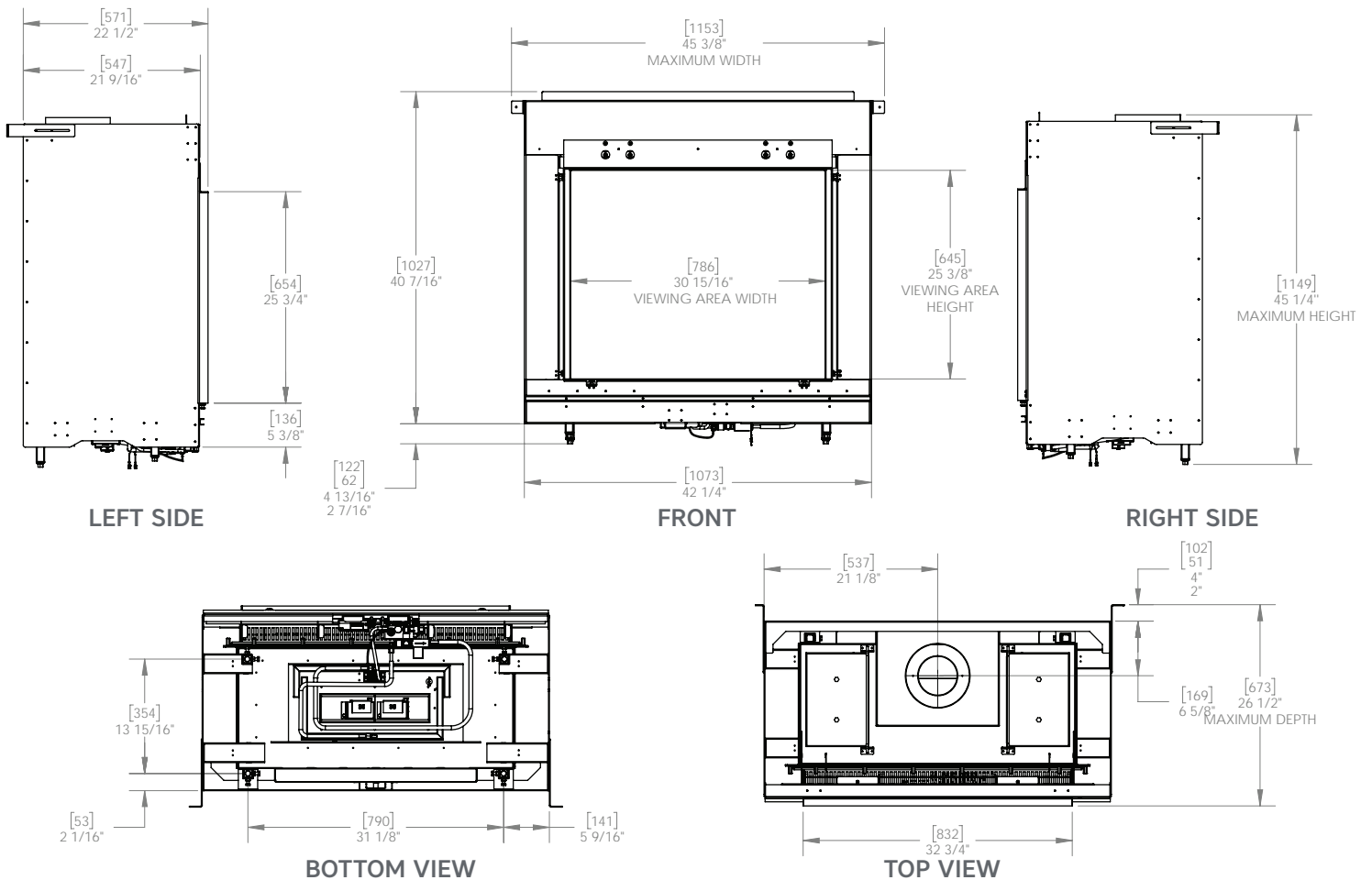
*Sample label shown, not intended for product reference

Fireplace Information

Technical Dimensions



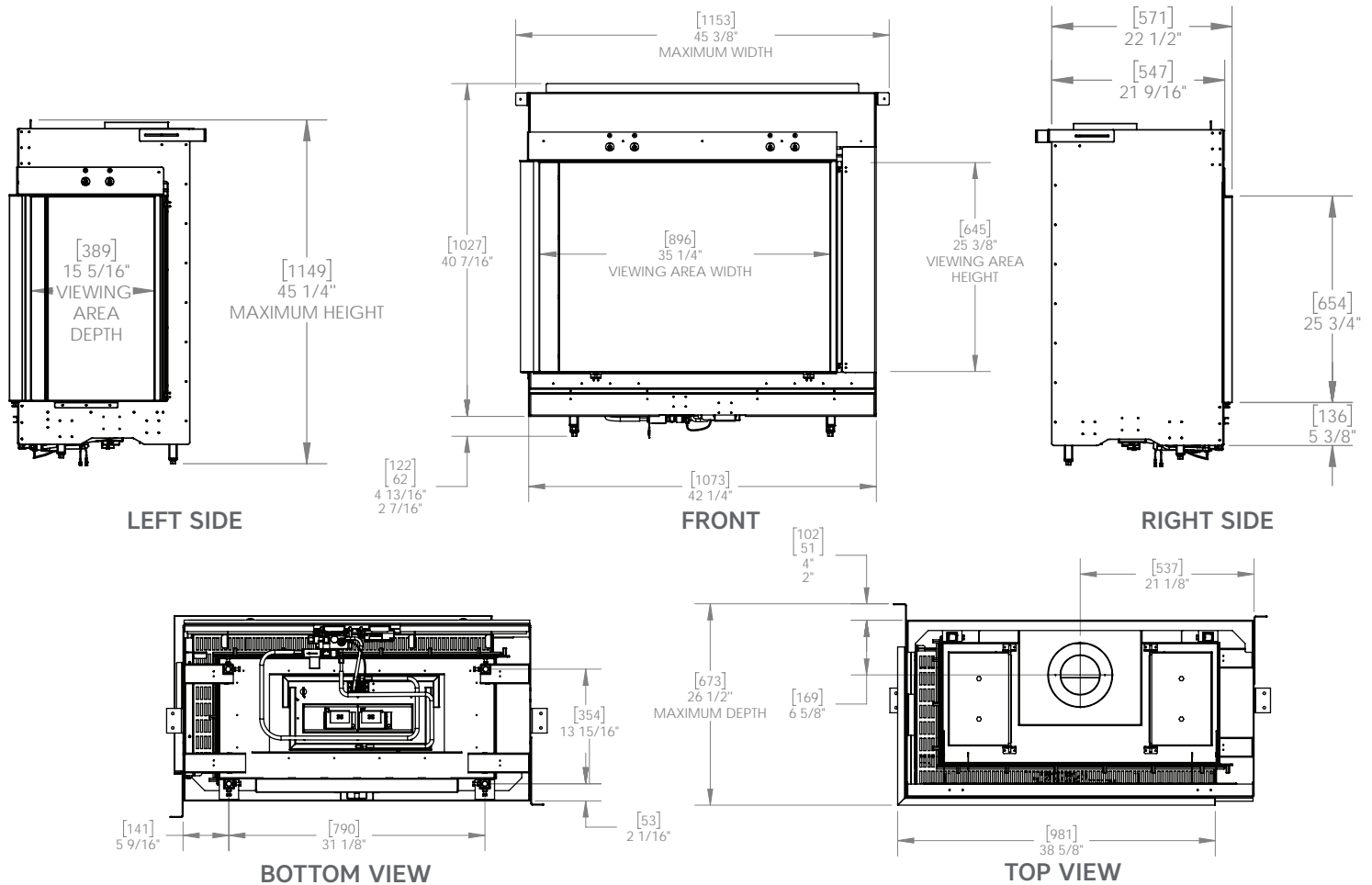
FMG3326F/FMG3326F-LP - Front-facing Built-in Gas Fireplace



Technical Dimensions



FMG3726L/ FMG3726L-LP - Left-facing Built-in Gas Fireplace

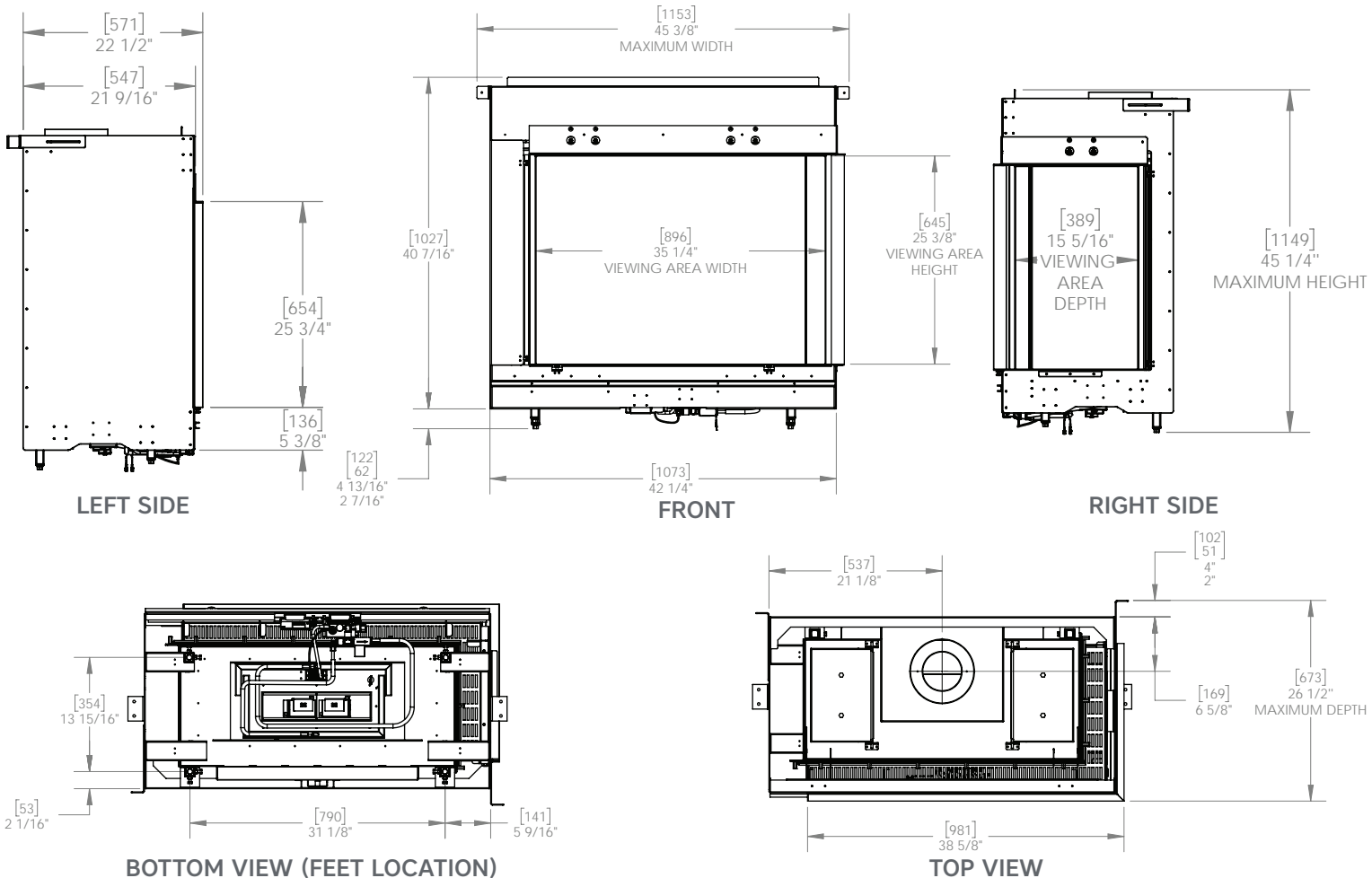


Fireplace Information

Technical Dimensions



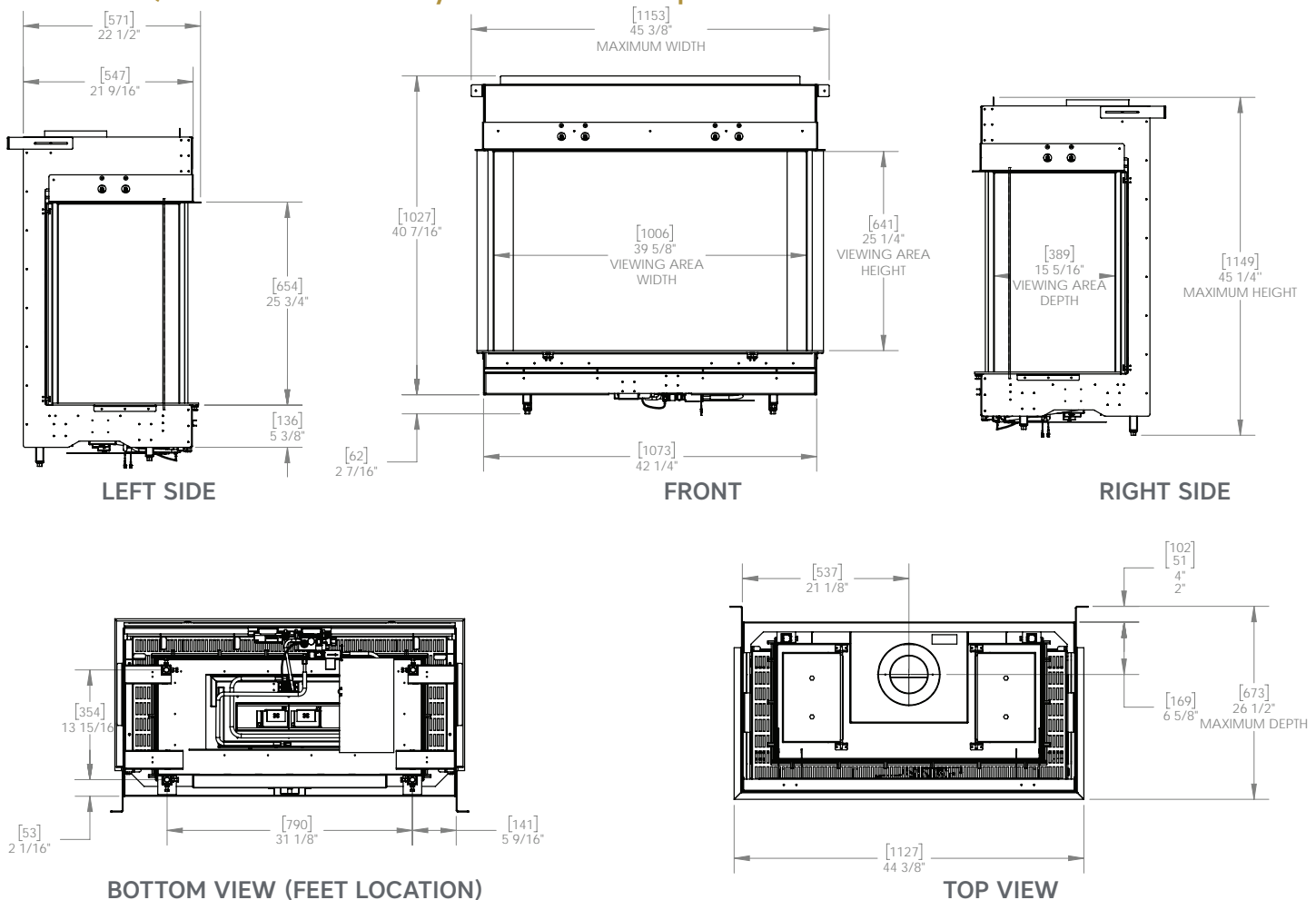
FMG3726R/FMG3726R-LP - Right-facing Built-in Gas Fireplace



Technical Dimensions



FMG4126B/FMG4126B-LP - Bay Built-in Gas Fireplace

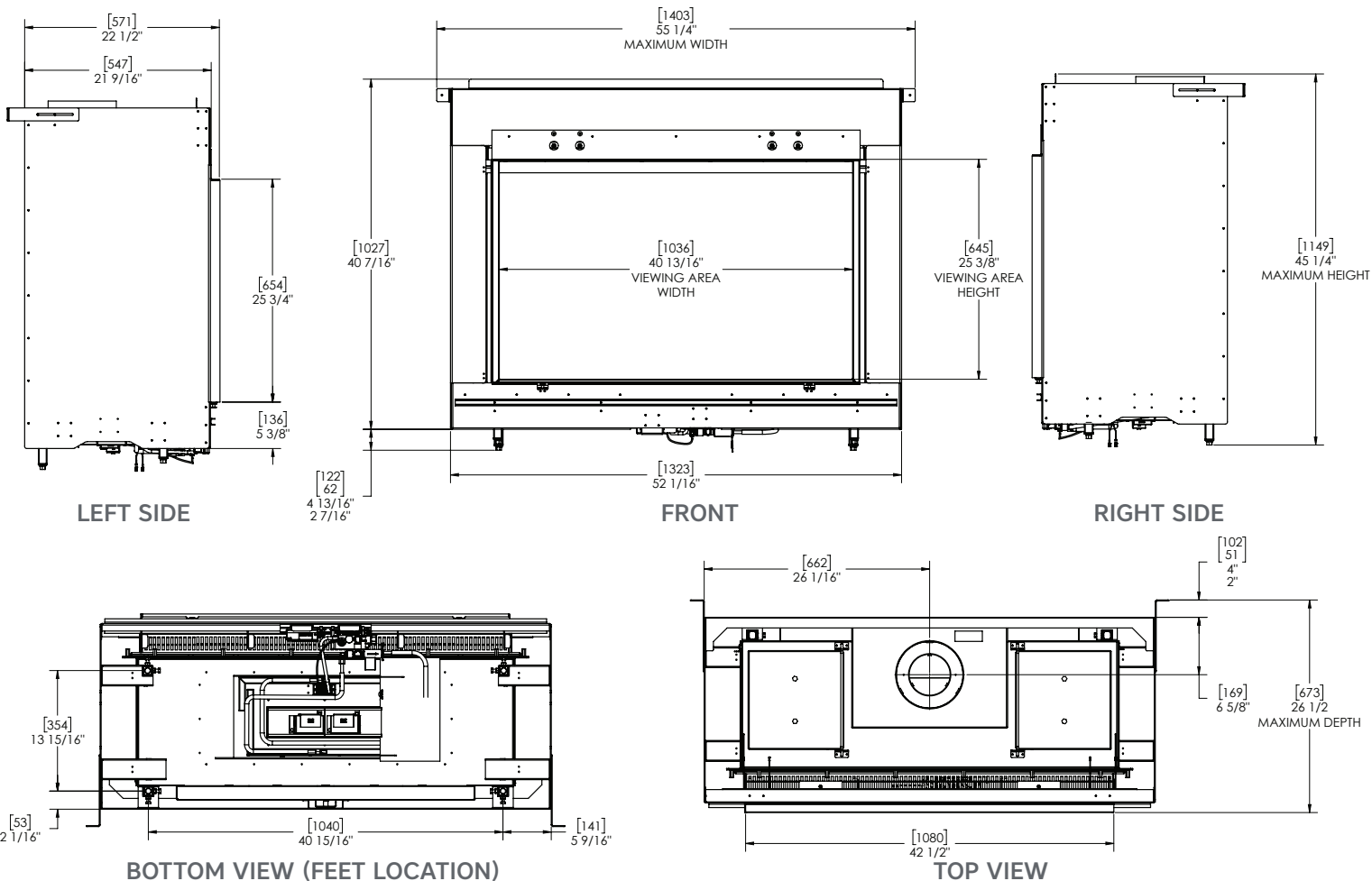


Fireplace Information

Technical Dimensions



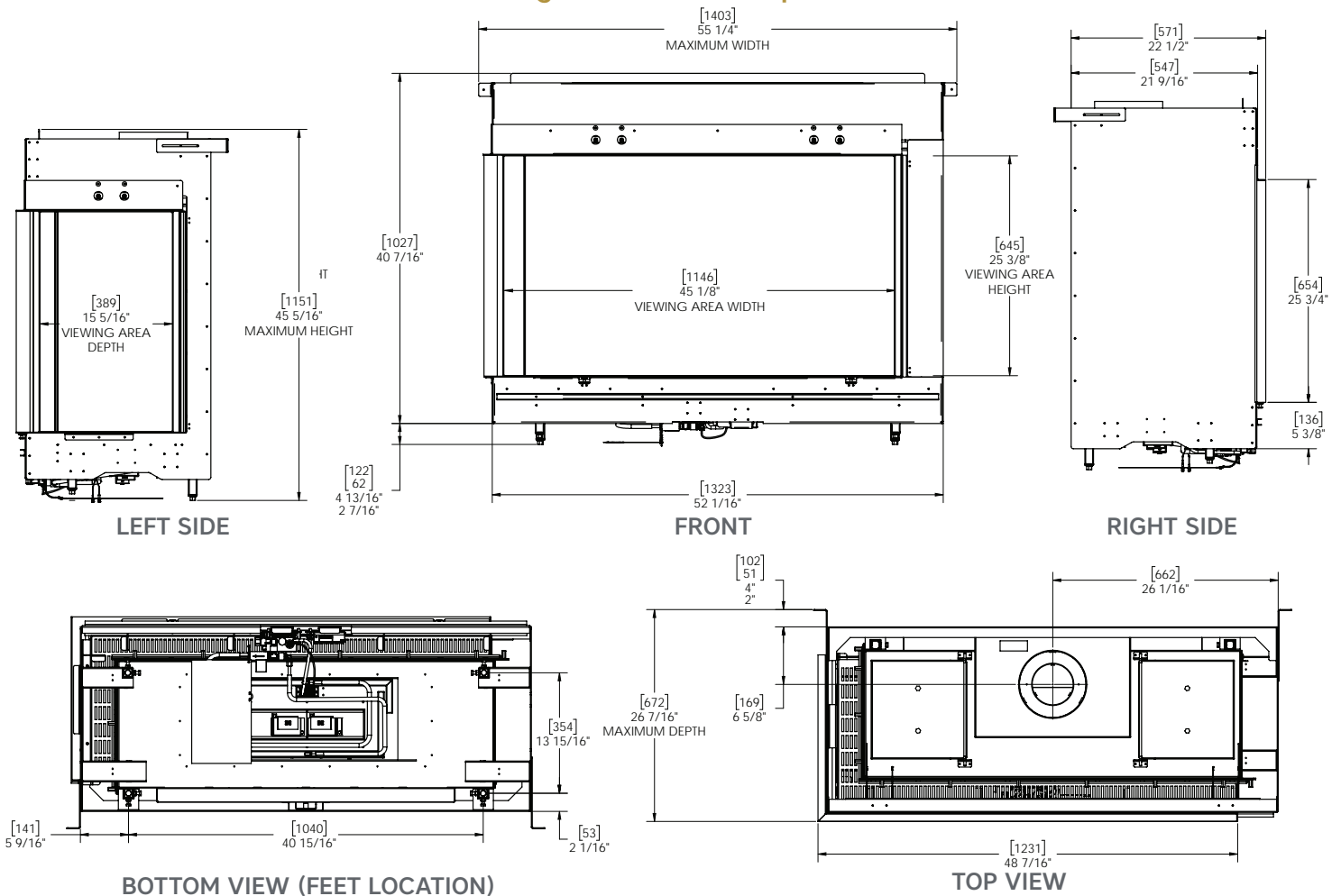
FMG4326F/FMG4326F-LP - Front-facing Built-in Gas Fireplace



Technical Dimensions



FMG4726L/FMG4726L-LP - Left-facing Built-in Gas Fireplace

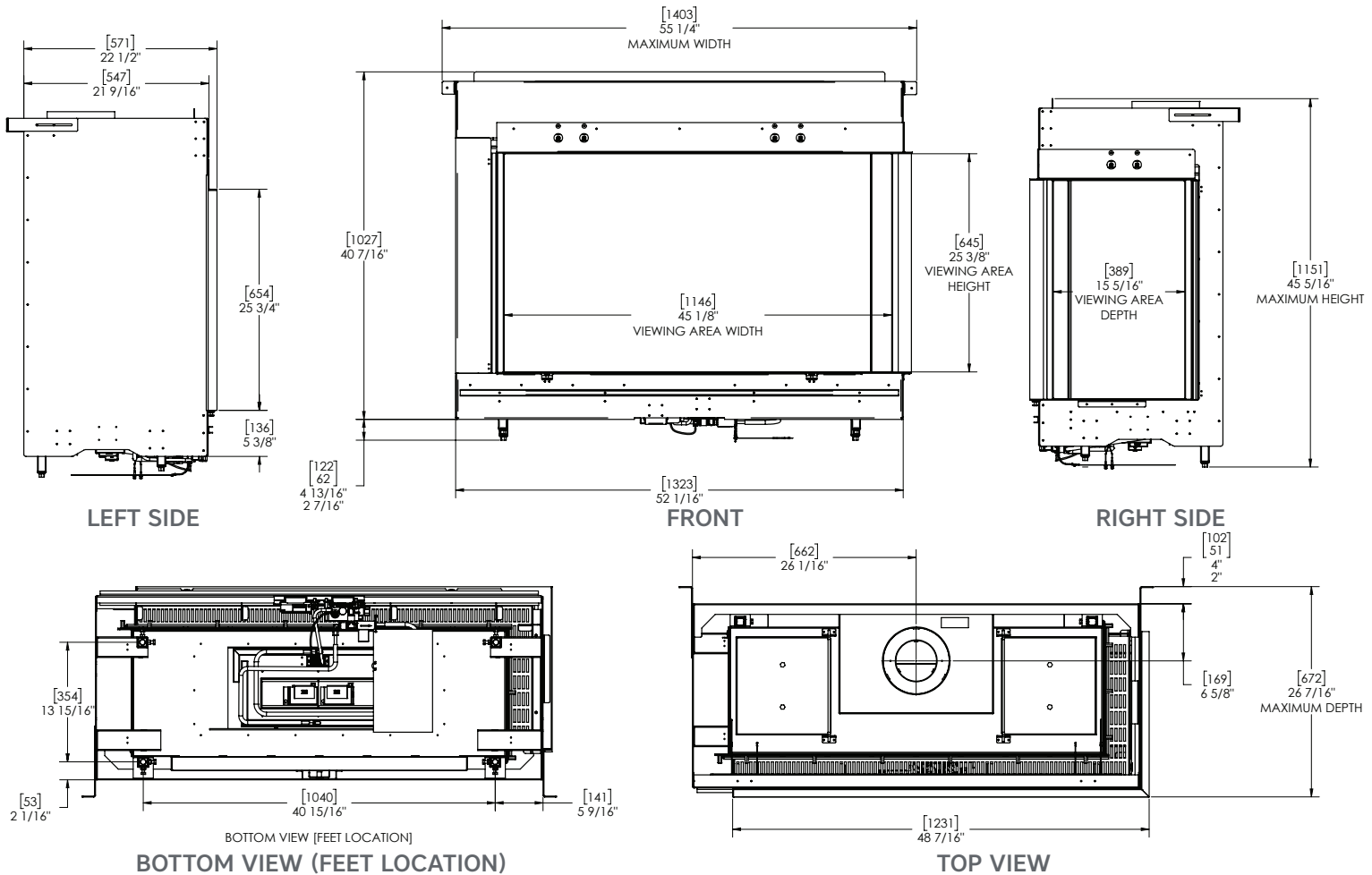


Fireplace Information

Technical Dimensions



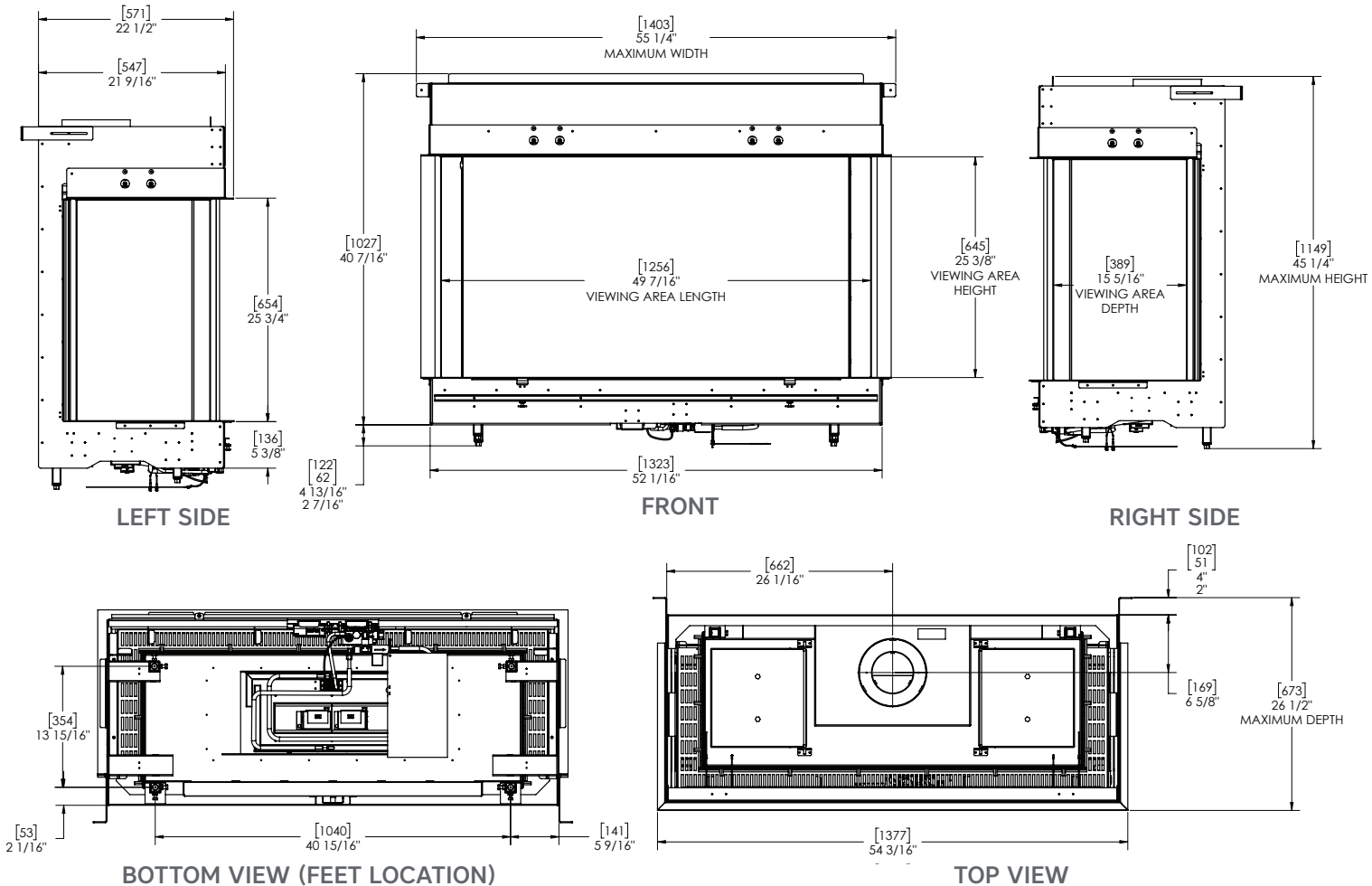
FMG4726R/FMG4726R-LP - Right-facing Built-in Gas Fireplace



Technical Dimensions

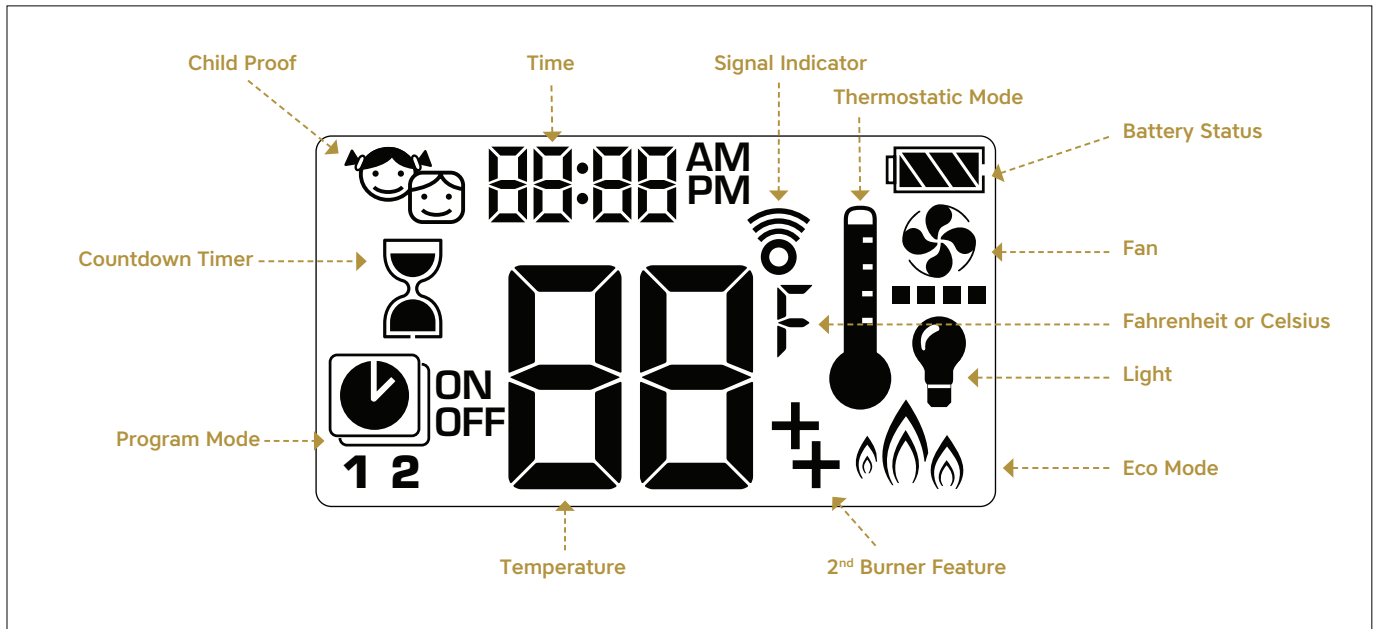


FMG5126B/FMG5126B-LP - Bay Built-in Gas Fireplace

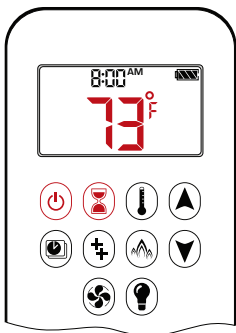


Gas Fireplace Operation

Remote Control Instructions



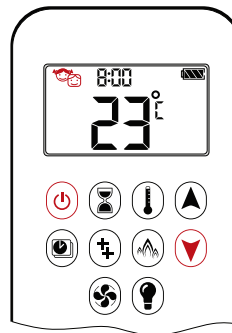
SETTING FAHRENHEIT OR CELSIUS



- To change between °C and °F, press and buttons simultaneously.

NOTE: Choosing °F results in a 12 hour clock. Choosing °C results in a 24 hour clock.

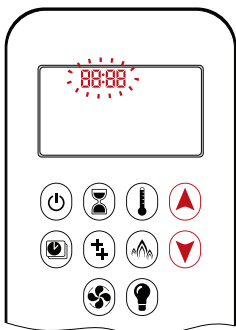
CHILD PROOF



- ON:**
- To activate press and buttons simultaneously.
 - is displayed and the Symax is rendered inoperable, except for the **OFF** function.

- OFF:**
- To deactivate press and buttons simultaneously.
 - disappears.

SETTING THE TIME




- Press and simultaneously. **Day** flashes.
- Press or button to select a number to correspond with the day of the week (e.g. 1=Monday, 2=Tuesday, 3=Wednesday, 4=Thursday, 5=Friday, 6=Saturday, 7=Sunday).
- Press and simultaneously. **Hours** flashes.
- To select hour press or button.
- Press and buttons simultaneously. **Minutes** flashes.
- To select minutes press or button.
- To confirm press and buttons simultaneously or wait.

MANUAL MODE (HANDSET)

NOTICE

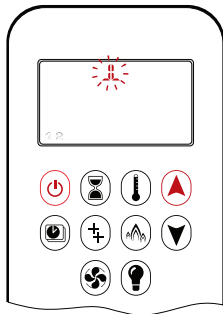
BEFORE OPERATING




1. Make sure MANUAL knob on the GV60 valve is in the **ON**, full counterclockwise  position.
2. Place the **ON/OFF** switch (if equipped) in the **I (ON)** position.

TO TURN ON FIRE

⚠ WARNING

When pilot ignition is confirmed, motor turns automatically to maximum flame height.



- Press  button (One Button Ignition) or  and  button simultaneously (Two Button Ignition) until two short beeps (CE version) or continuous beeping (CSA version) and a blinking series of lines confirms the start sequence has begun; release button(s).
- Main gas flows once pilot ignition is confirmed.
- The Symax automatically goes into Manual Mode after main burner ignition.

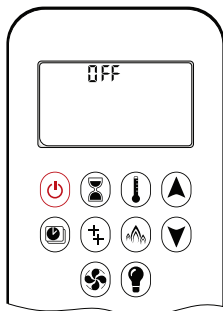
If the pilot does not stay lit after several tries, turn the main valve knob to OFF and follow the instructions "TURN OFF GAS TO APPLIANCE"

STANDBY MODE (PILOT FLAME)

Handset

- Press and hold  button to set appliance to pilot flame.

TO TURN OFF FIRE

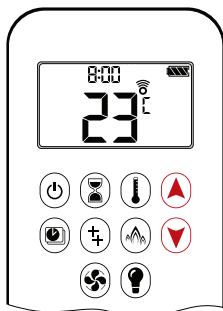


Handset


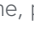
- Press  button to turn off.

NOTE: A new ignition is possible after the **OFF** icon stops flashing.

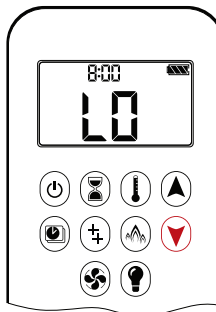
FLAME HEIGHT ADJUSTMENT




Handset

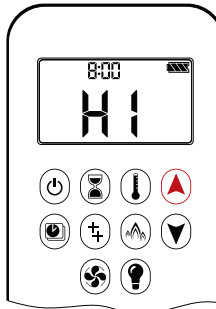
- To increase flame height press and hold  button.
- To decrease flame height or to set appliance to pilot flame, press and hold  button.


DESIGNATED LOW FIRE AND HIGH FIRE



- To go to low fire, double-click  button.
- **LO** is displayed.

NOTE: Flame goes to high fire first before going to low fire.

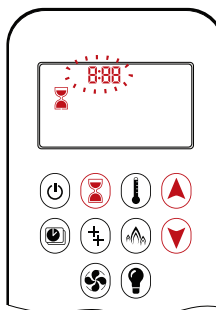


- To go to high fire, double-click  button.
- **HI** is displayed.









⚠ WARNING

If the appliance will not operate, follow the instructions "TURN OFF GAS TO APPLIANCE"

COUNTDOWN TIMER



ON /SETTING:

1. Press and hold  button until  is displayed, and **hour** flashes.
2. To select hour press  or  button.
3. To confirm press  button. **Minutes** flash.
4. To select minutes press  or  button.
5. To confirm press  button or wait.

OFF :

- Press  button.
-  and Countdown Time disappear.

NOTE: At end of Countdown Time period, the fire shuts off. The Countdown Timer only works in Manual, Thermostatic, and Eco Modes. Maximum Countdown Time is 9 hours and 50 minutes.

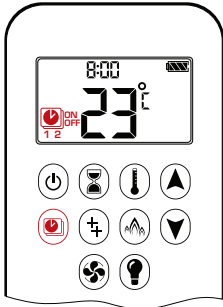
Gas Fireplace Operation

MODES OF OPERATION



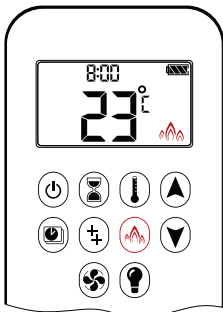
Thermostatic Mode

The room temperature is measured and compared to the set temperature. The flame height is then automatically adjusted to achieve the set temperature.



Program Mode

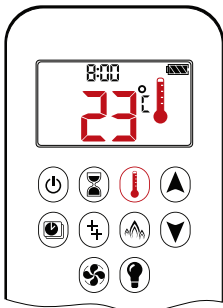
PROGRAM 1 and 2, each can be programmed to go ON and OFF at specific times at a set temperature.



Eco Mode

Flame height modulates between high and low. If the room temperature is lower than the set temperature, the flame height stays on high for a longer period of time. If the room temperature higher than the set temperature, the flame height stays on low for a longer period of time. One cycle lasts approx. 20 minutes.

THERMOSTATIC MODE



ON:

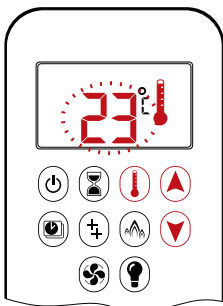
- Press button.
- is displayed, preset temperature is displayed briefly, and then room temperature is displayed.

OFF:

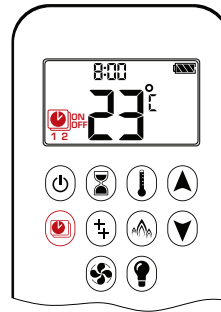
- Press button.
- Press or button to enter Manual Mode.
- Press button to enter Program Mode.
- Press button to enter Eco Mode.

SETTING:

- Press button and hold until is displayed, temperature flashes.
- To adjust set temperature press or button.
- To confirm press button or wait.

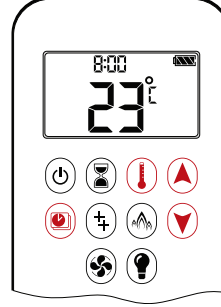


PROGRAM MODE



ON:

- Press button.
- , 1 or 2, ON or OFF is displayed.



OFF:

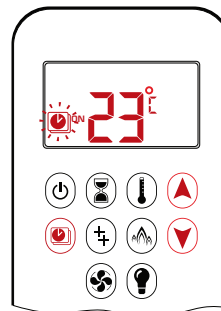
- Press button.
- Press or button to enter Manual Mode.
- Press button to enter Thermostatic Mode.
- Press button to enter Eco Mode.

NOTE: The set temperature for Thermostatic Mode is the temperature for the ON time in Program Mode. Changing the Thermostatic Mode set temperature also changes the ON time temperature in Program Mode.

Default settings:

ON TIME (Thermostatic) TEMPERATURE: 70°F / 21°C

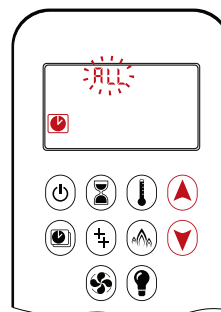
OFF TIME TEMPERATURE: " -- " (pilot flame only)



TEMPERATURE SETTING:

- Press button and hold until flashes ON and set temperature (setting in Thermostatic Mode) is displayed.
- To continue press button or wait. , OFF is displayed, temperature flashes.
- Select OFF temperature by pressing the or button.
- To confirm press button.

NOTE: The ON (Thermostatic) and OFF set temperatures are the same for each day.

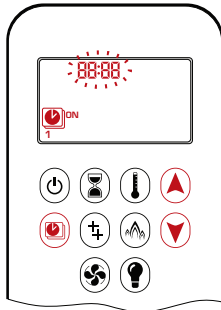


DAY SETTING:

- ALL flashes. Press or button to choose between ALL, SASU, 1, 2, 3, 4, 5, 6, 7.
- To confirm press button.

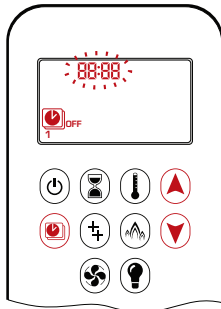
PROGRAM MODE

RLL selected



ON TIME SETTING (PROGRAM 1):

7. Press **1**, **ON** is displayed, **RLL** is displayed shortly, and **hour** flashes.
8. To select hour press **▲** or **▼** button.
9. To confirm press **⊙** button. **1**, **ON** is displayed, **RLL** displayed shortly, and **minutes** flash.
10. To select minutes press **▲** or **▼** button.
11. To confirm press **⊙** button.



OFF TIME SETTING (PROGRAM 1):

12. Press **1**, **OFF** is displayed, **RLL** is displayed shortly, and **hour** flashes.
13. To select hour, press **▲** or **▼** button.
14. To confirm press **⊙** button. **1**, **OFF** is displayed, **RLL** is displayed shortly, and **minutes** flash.
15. To select minutes press **▲** or **▼** button.
16. To confirm press **⊙** button.

NOTE: Either continue to PROGRAM 2 and set **ON** and **OFF** times or stop programming at this point, and PROGRAM 2 remains deactivated.

NOTE: PROGRAM 1 and 2 use the same **ON** (Thermostatic) and **OFF** temperatures for **RLL**, **SR5U** and Daily Timer (1, 2, 3, 4, 5, 6, 7). Once a new **ON** (Thermostatic) and/or **OFF** temperature has been set, that temperature becomes the new default setting.

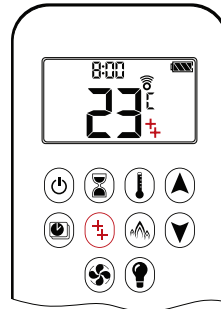
NOTE: If **RLL**, **SR5U** or Daily Timer are programmed for PROGRAM 1 and PROGRAM 2 **ON** and **OFF** times, these become the new default times. The batteries must be removed to clear the PROGRAM 1 and PROGRAM 2 **ON** and **OFF** times and temperatures.

SR5U or Daily Timer (1, 2, 3, 4, 5, 6, 7) selected

- Set **ON** time and **OFF** time using same procedure as **RLL** "selected" (above).
- **SR5U**: Set **ON** time and **OFF** time for both Saturday and Sunday.
- Daily Timer: Unique **ON** and **OFF** times may be set for a single day of the week, for multiple days of the week, or for every day of the week.
Wait to finish setting.

2ND BURNER FEATURE

The latching solenoid valve will open automatically after ignition or after switching the system **OFF**, so that the maximum flow of gas is supplied to both burners assisting with the ignition process. After pressing the button for the 2nd Burner the motor will turn 7 seconds in the **ON** direction until the max. position is reached.



ON:

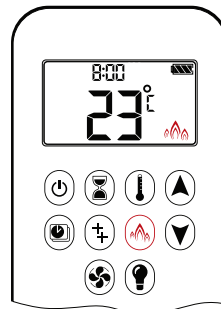
- To switch a burner **ON**, press the **⊕** button.
- **⊕** displayed.

OFF:

- To switch the burner **OFF**, press the **⊕** button.
- **⊕** disappears.

NOTE: The latching solenoid valve cannot operate manually. If the Receiver battery runs down it will remain in the last operating position.

ECO MODE



ON:

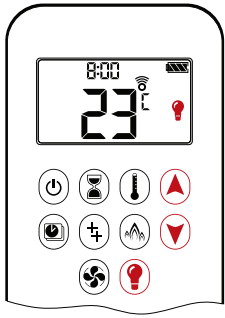
- Press **⊕** button to enter Eco Mode.
- **Eco** is displayed.

OFF:


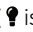
1. Press **⊕** button.
2. Press **▲** or **▼** button to enter Manual Mode.
3. Press **⊙** button to enter Thermostatic Mode.
4. Press **⊙** button to enter Program Mode.

Gas Fireplace Operation

LIGHT/DIMMER OPERATION









ON:

- Press  button ( is displayed).
- Light is **ON** at preset level.

OFF:

- Press  button ( disappears).

SETTING:

1. Press  button and hold until  flashes.
2. To adjust light between 20...100% press  or  button.
3. To confirm setting either press  button or wait ( is displayed).

NOTE: The Light works independently of the pilot flame. If you want the light **ON** but no flame, press  button.

Receiver and Remote Batteries

Remote Control Batteries

- 2 × AAA (alkaline recommended).
- Low battery indicator on handsets with display.
- Battery replacement is recommended every 2 years.

Receiver Batteries

- 4 × AA (alkaline ONLY)
- Low battery indicator: Frequent beeps for 3 seconds when motor turns.
- If A/C adaptor is not used, battery replacement is recommended at the beginning of each heating season as part of the yearly service check.



CAUTION: DO NOT USE a screwdriver or other metallic object to remove the batteries from the battery box! This could cause a short circuit to the system.

Pairing Remote with Fireplace Receiver

Your remote will come paired with the fireplace receiver and will be ready for operation out of the box. In the event of remote or receiver replacement, use the following procedure to pair the remote with the receiver:


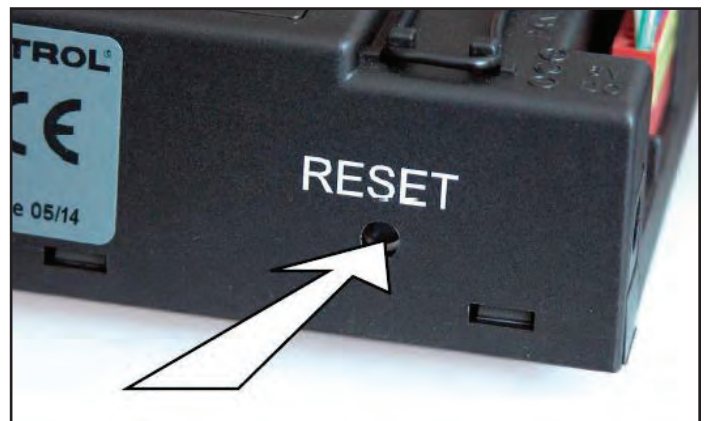
1. Press and hold the receiver's reset button (see Figure 1) until you hear two (2) beeps. The first beep is short, and the second beep is long. After the second beep, release the reset button.
2. Within the subsequent 20 seconds, press the  button on the handset until you hear two additional short beeps confirming the code is set. If you hear one long beep, this indicates the code learning sequence has failed or the wiring is incorrect.

Figure 1



Installation Steps

1. Prior to starting the installation, make sure you read and understand all WARNING information in this manual. Do not start the installation if you are unclear about any of the installation-related subjects.
2. Determine the following:
 - The vent system configuration to be used based on the fireplace location.
 - Clearance requirements from combustibles and non-combustible materials.
 - Gas supply piping.
 - Electrical wiring requirements.
 - Framing and finishing details.
3. Unpack the fireplace box, following instructions for fireplace unpacking.
4. Put the fireplace in the desired location. Verify clearance to non-combustible and combustible materials. Follow the clearance instructions in this manual.
5. Attach the brackets of the unit to the wall framing
6. Connect the vent system to the fireplace.
7. Connect the gas line to the fireplace and verify gas inlet and outlet pressure.
8. Confirm if adjustments for high altitude are needed (installation at above 4500 ft from sea level).
9. Install receiver batteries or if using mains power, ensure electrical outlet is within 2.5m and plug AC/DC adaptor to receiver and to wall receptacle.
10. Insert and place Fireplace media. Use media arrangement guide from the manual.
11. Verification of:
 - Ignition and pilot system.
 - Burning and flame.
 - Remote control Setup
12. Complete framing and wall cover.
13. Remove blue protective film from glass and clean glass.
14. Re-install the glass, and unpack and install the safety barrier.
15. Ensure the homeowner is familiar with operation of the fireplace and remote control, and can locate the the ignition instructions and rating label.
16. Ensure the homeowner has paperwork showing the details of the fireplace (model, serial number, installation date) and the details of the installer.
17. Ensure the homeowner is aware of regular maintenance schedules and potential problems that will require service.



Read all the instructions before starting the installation. Follow these instructions carefully during the installation to ensure maximum safety and benefit. Follow the steps above to ensure proper installation of the gas appliance.

WARNING

WARNING! Risk of fire or explosion! Damaged parts could impair safe operation.
DO NOT install damaged, incomplete or substitute components.

Installation Preparation

Fireplace Unpacking and Contents



Remove the outer protective crate from the pallet.

The Faber MatriX fireplace is supplied with the following contents. Ensure all components are present before installation. All components may not be packed exactly as shown.



MatriX Firebox

Safety Screen

Remote, Manual, Accessories



Logs

DuraVent Adaptor

Decorative Glass

Installation Preparation

Fireplace Positioning

Once the fireplace has been set to the upright position, it can be moved to its final installation location.

- Make sure the control unit is secure and not dragging on the floor during transport and positioning.
- Unit should remain on the pallet during transport inside the site location.
- When positioning the fireplace, take into consideration the clearance requirements and framing.
- Ensure unit is level. Adjust feet to level unit if necessary.
- Attach the fireplace top brackets to the metal stud in the back to secure the fireplace. The bracket length can be adjusted by releasing the screws on the top.



Fireplace should remain on the wood pallet when carried to final installation location.

Do not attempt to use a pallet jack or any other moving tools if the unit has been removed from the wood pallet as it may harm the fireplace components under the unit.

Vent Termination



These instructions should be used as a guideline and do not supersede local codes in any way. Install venting according to local codes, these instructions, the current National Fuel Gas Code (ANSI-2223.1) and/or Natural Gas and Propane Installation Code, CSA B149.1

Instructions

1. Where a vent pipe passes through a floor or ceiling, a ceiling firestop MUST be used to retain insulation and maintain proper clearances. Use roof support brackets where needed.
2. Install the first section of vent pipe into the collar on top of the fireplace.
3. Connections between each vent system component must be tightly joined and secured. Follow the vent manufacturer's instructions for information on how to seal and secure vent and vent connections.
4. Horizontal runs of vent pipe must be supported to prevent any downward sags. Horizontal pipe sections should be supported at least every 4 feet. Wall straps can be used for this purpose.
5. When installing the vent pipe, make sure that the vent pipe is supported by the structural/frame surrounding and not by fireplace.

Follow the vent manufacturer's instruction for information on how to install, seal, and secure vent and vent connections.

Framing for vents in combustible walls and ceilings:

When passing through combustible walls and ceilings, framing will depend on the type of vent installation – horizontal or vertical. Ensure that the insulation is kept clear of the vent pipe using either a wall thimble or an attic insulation shield. Follow the installation instructions supplied with the individual venting components.

Approved Pipe - This appliance is approved for use with M&G DuraVent or ICC venting.

DO NOT mix pipe, fittings or joining methods from different manufacturers.

For detailed chimney installation information please use the manufacturer's direct vent installation manual.

WARNING

DO NOT pack insulation around the vent. Insulation must be kept back from the pipe to prevent overheating. ALWAYS maintain specified clearances around venting and firestop systems. Install wall shield and ceiling firestops as specified.

Vent Size

The fireplace will require a 5" × 8" vent.

Models				Vent Size
FMG3326F	FMG4326F	FMG3326F-LP	FMG4326F-LP	5x8
FMG3726L	FMG4726L	FMG3726L-LP	FMG4726L-LP	
FMG3726R	FMG4726R	FMG3726R-LP	FMG4726R-LP	
FMG4126B	FMG5126B	FMG4126B-LP	FMG5126B-LP	

Vent Termination

Minimum Combustible Clearances from Vent

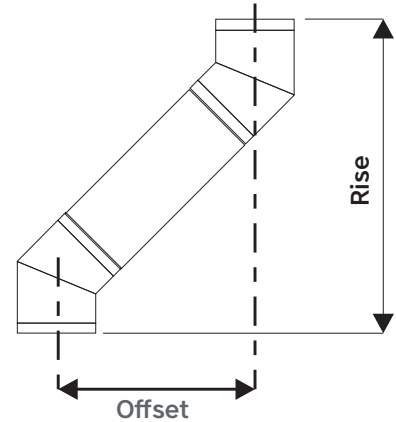
- **Horizontal Vent Clearances**

A minimum clearance of 3" (76 mm) to the top and 1" (26 mm) to the sides and bottom of the vent pipe on all horizontal runs to combustibles is required.

- **Vertical Vent Clearances**

A minimum of 1" (26 mm) all around the vent pipe on all vertical runs to combustibles is required except for clearances in appliance enclosures.

- Horizontal vents must have a minimum 1/4" (6 mm) rise per 1 foot towards the termination.

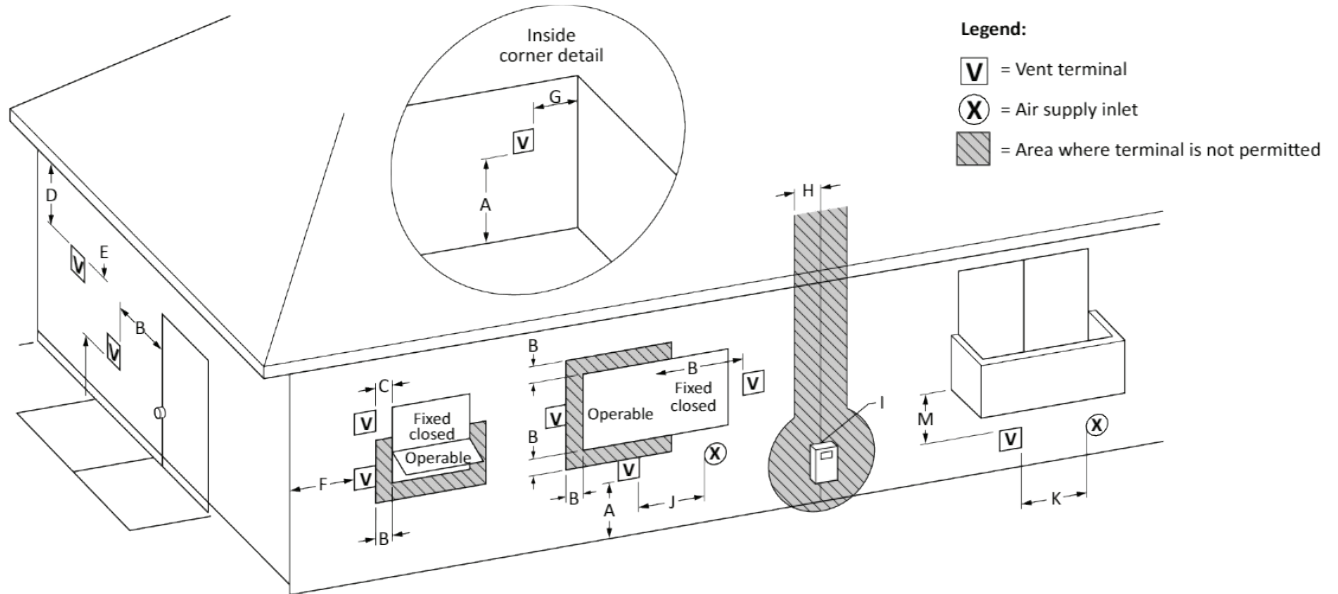


DirectVent Pro and iCC Compatible Vent Terminations

Component Description	DuraVent Stock Number	ICC Stock Number
Wall Thimble	58DVA-WT	TM-5WT
Wall Thimble (Small)	58DVA-WTS	N/A
Wall Thimble (Universal)	58DVA-WTU	N/A
Ceiling Support	58DVA-CS	TM-5RDS
Fire Stop	58DVA-FS	TM-5LS
Wall Fire Stop	58DVA-WFS	TM-5TP
Vinyl Siding Standoff	58DVA-VSS	TM-VSS
Vinyl Siding Standoff (4 Pc. Kit)	58DVA-VSK	TM-VSS
Counter Flashing (Assembled)	58DVA-CF	N/A
Appliance Adaptor	N/A - Provided with appliance	TM-5AA8

For specific instructions on venting components visit the manufacturers website listed below.
 DuraVent Direct Vent Pro - www.duravent.com
 Industrial Chimney Company (ICC) - www.icc-rsf.com

Minimum Clearances to Vent Termination



Minimum Clearance Requirements		Canada ¹	USA ²
A	Clearance above grade, veranda, porch, deck, or balcony	12" (30 cm)	12" (30 cm)
B	Clearance to window or door that may be opened	12" (30 cm)	9" (23 cm)
C	Clearance to permanently closed window	See note ³	See note ³
D	Vertical clearance to ventilated soffit located above the terminal within a horizontal distance of 2 feet (61 cm) from the center line of the terminal (check with the local code)	29" (74 cm)	29" (74 cm)
E	Clearance to unventilated soffit	20" (51 cm)	20" (51 cm)
F	Clearance to outside corner: with AstroCap Termination Cap.	7" (18 cm)	7" (18 cm)
	Clearance to outside corner: with all other approved Termination Caps.	14" (36 cm)	14" (36 cm)
G	Clearance to inside corner: with AstroCap Termination Cap	7" (18 cm)	7" (18 cm)
	Clearance to inside corner: with all other approved Termination Caps	12" (30 cm) 13" (33 cm)	12" (30 cm)
H	Clearance to each side of center line extended above meter/regulator assembly	36" (90 cm) ⁶	See note ³
I	Clearances around meter/regulator	36" (90 cm)	See note ³
J	Clearance to service regulator vent outlet	36" (90 cm)	See note ³
K	Clearance to non-mechanical air supply inlet to building or the combustion air inlet to any other appliance	12" (30 cm)	9" (23 cm)
L	Clearance to a mechanical air supply inlet #3' (91cm) above if within 1 0' (3m) horizontally.	72" (1.8 m)	36" (90 cm) ⁷
M	Clearance above paved sidewalk or a paved driveway located on public property	84" (2.1m) ⁵	See note ³
N	Clearance under veranda, porch, deck, or balcony	12" (30 cm)	See note ³

Notes:

¹ In accordance with current CSA B149.1, Natural Gas and Propane Installation Code

² In accordance with the current ANSI Z223. 1/NFPA 54, National Fuel Gas Code

³ Clearance in accordance with local installation codes and the requirements of the gas supplier

⁴ A vent shall not terminate directly above a sidewalk or paved driveway which is located between two single family dwellings and serves both dwellings

⁵ Permitted only if veranda, porch, deck, or balcony is fully open on a minimum of two sides beneath the floor

⁶ 3 feet (91 cm) within a height of 15 feet (4.5 m) above the meter/regulator assembly

⁷ 3 feet (91 cm) above - if within 10 feet (3 m) horizontally

Vent Termination

Unit Installation with Horizontal Termination

5" x 8" venting (Rigid Vent Systems)

Minimum Vent Clearances to Combustibles

Horizontal Top*	3" (76 mm)*
Horizontal Side	2" (51 mm)
Horizontal Bottom	2" (51 mm)
Vertical Vent	2" (51 mm)

* Clearances noted must be maintained except when passing through a wall, ceiling or at the termination where the use of a fire stop or wall thimble reduces clearance to 1-1/2" (38 mm).

Recommended Framed Opening Size

Vent Size	Framing Size
5" x 8" (127 x 203 mm)	11" x 11" (279 x 279 mm)

These are the recommended framing dimensions (inside measurements) for the 5" x 8" (127 x 203 mm) rigid vent terminations - for use with a fire stop or wall thimble.

Install the vent system according to the manufacturer's instructions included with the components.

1. Set the unit in its desired location. Check to determine if wall studs or roof rafters are in the way when the venting system is attached. If this is the case, you may want to adjust the location of the unit. Rough in the gas preferably on the right side of the unit and the electrical (junction block is on the left side) on the left.
2. Direct vent pipe and fittings are designed with special twist-lock connections to connect the venting system to the appliance flue outlet. A twist-lock appliance adaptor is required.
3. In conjunction with the Approved Ventsystem, install the adaptor after the unit is set in its desired location. Put a bead of Mill-Pac inside the outer section of the adaptor and a bead of Mill-Pac on the inner collar. Slip the adaptor over the existing inner and outer flue collar. Fasten to the outer collar only with the 3 supplied screws (drilling pilot holes will make this easier). This adaptor is typically factory installed.
4. Level the fireplace and fasten it to the framing using nails or screws through the top and side nailing strips.
5. Assemble the desired combination of pipes and elbows to the appliance adaptor and twist-lock for a solid connection.

! **NOTE:** For best results and optimum performance with each approved venting system, it is highly recommended to apply Mill-Pac sealant (supplied) to every inner pipe connection. Failure to do so may result in drafting or performance issues not covered under warranty.

! **NOTE:** Horizontal runs of vent must be supported every 3 ft (0.9 m). Wall straps are available for this purpose.

6. Mark the wall for a square hole (see chart to left for size.) The center of the square hole should line up with the centerline of the horizontal pipe. Cut and frame the square hole in the exterior wall where the vent will be terminated. See diagram 2 for center line requirements.
If the wall being penetrated is constructed of non-combustible material, i.e., masonry block or concrete, an 8" (203 mm) diameter hole is acceptable.

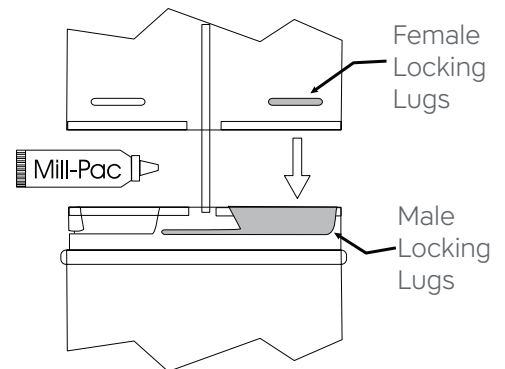


Diagram 1

Unit Installation with Horizontal Termination

- ! **NOTE:** a) The horizontal run of vent must be level, or have a $\frac{1}{4}$ " rise for every 1 foot of run towards the termination. Never allow the vent to run downward. This could cause high temperatures and may present the possibility of a fire.
- b) The location of the horizontal vent termination on an exterior wall must meet all local and national building codes.

7. Ensure that the pipe clearances to combustible materials are maintained (Diagram 3). Install the termination cap.

- ! **NOTE:** If installing termination on a vinyl siding covered wall, a vinyl siding standoff or furring strips must be used to ensure that the termination is not recessed into the siding. The four wood screws provided should be replaced with appropriate fasteners for stucco, brick, concrete, or other types of sidings.

8. Before connecting the horizontal run of vent pipe to the vent termination, slide the Wall Thimble over the vent pipe. The wall thimble is required for all horizontal terminations.
9. Slide the appliance and vent assembly towards the wall, carefully inserting the vent pipe into the vent cap assembly. It is important that the vent pipe extends into the vent cap at a sufficient distance so as to result in a minimum pipe overlap of $1\frac{1}{4}$ " (32 mm). Secure the connection between the vent pipe and the vent cap.
10. Install wall thimble in the center of the framed hole and attach with wood screws (Diagram 4).

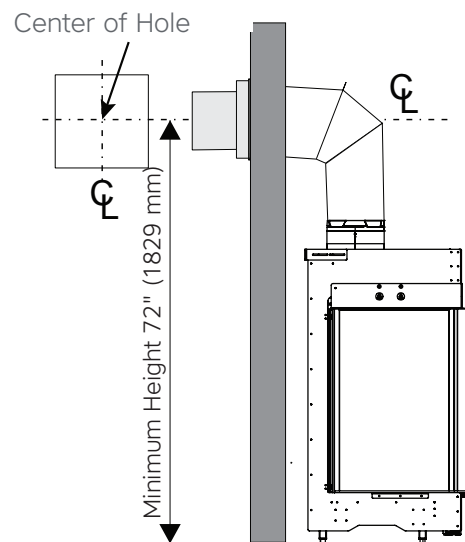


Diagram 2

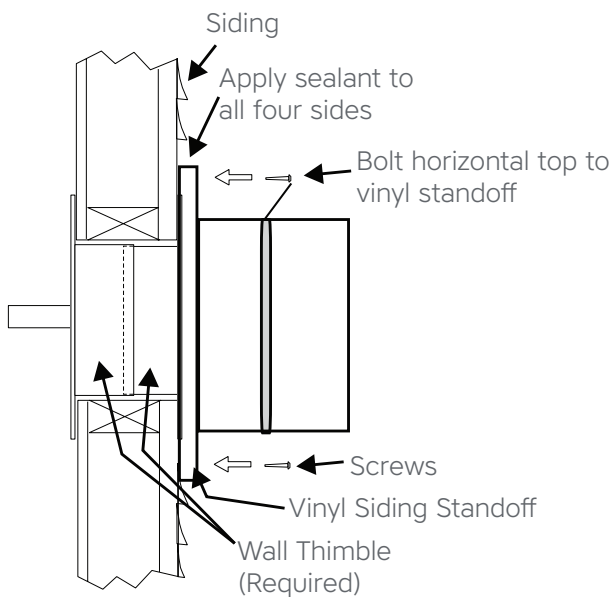


Diagram 3

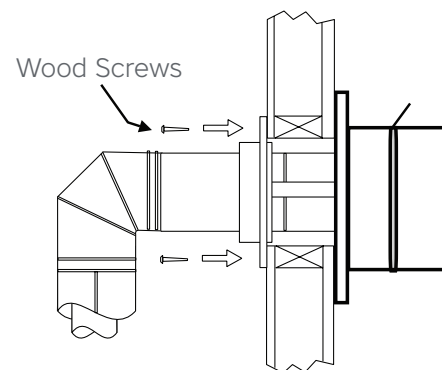


Diagram 4

Vent Termination

Unit Installation with Vertical Termination

! **NOTE:** A top clearance of 3" (76 mm) and side bottom clearance of 2" (51 mm) must be maintained, except when passing through a wall, ceiling, or at the termination where the use of a fire stop or wall thimble reduces the required clearance to 1 ½" (38 mm). We recommend building a frame around the fire stop or wall thimble to give structural rigidity for mounting the termination. See manufacturer's table cutout dimensions for appropriate sizing for component used.

1. Maintain the 1 ½" (38 mm) clearances to combustibles when passing through ceilings, walls, roofs, enclosures, attic rafter, or other nearby combustible surfaces, ensuring that the use of a fire stop or wall thimble is used as noted above. Do not pack clearance space with insulation. Consult the relevant section for the maximum vertical rise of the venting system and the maximum horizontal offset limitations.
2. Set the gas appliance in its desired location. Drop a plumb bob down from the ceiling to the position of the appliance flue exit, and mark the location where the vent will penetrate the ceiling. Drill a small hole at this point. Next, drop a plumb bob from the roof to the hole previously drilled in the ceiling, and mark the spot Diagram 2 where the vent will penetrate the roof. Determine if ceiling joists, roof rafters or other framing will obstruct the venting system. You may wish to relocate the appliance or to offset to avoid cutting load-bearing members.
3. A firestop spacer must be installed in the floor or ceiling of every level.
4. Assemble the desired lengths of pipe and elbows. Ensure that all pipes and elbow connections are in the fully twist-locked position and sealed.

! **NOTE:** For best results and optimum performance with each approved venting system, it is highly recommended to apply "Mill-Pac" sealant to every inner pipe connection. Failure to do so may result in drafting or performance issues not covered under warranty.

5. Cut a hole in the roof centered on the small drilled hole placed in the roof in Step 2. The hole should be of sufficient size to meet the minimum requirements for clearance to combustibles of 1 ½" (38 mm). Slip the flashing under the shingles (shingles should overlap half the flashing) as per Diagram 2.
6. Continue to assemble pipe lengths.

! **NOTE:** If an offset is necessary in the attic to avoid obstructions, it is important to support the vent pipe every 3 feet (0.9 meters), to avoid excessive stress on the elbows, and possible separation. Wall straps are available for this purpose.

Diagram 1

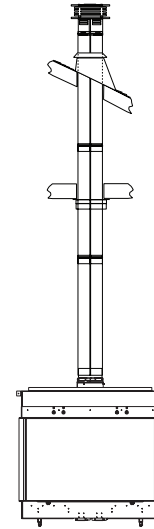
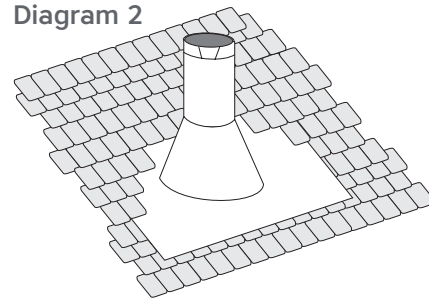
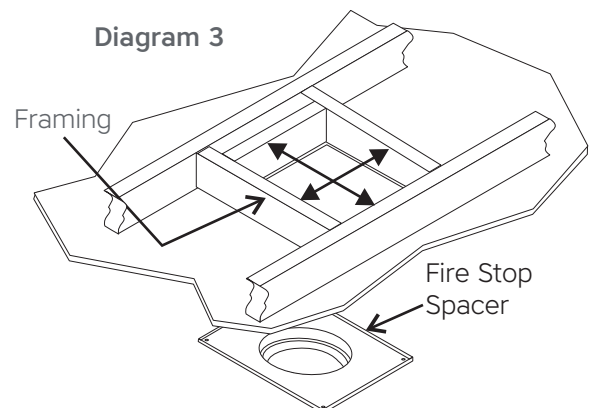


Diagram 2



The upper half of the flashing is installed under the roofing material and not nailed down until the chimney is installed. This allows for small adjustments.

Diagram 3



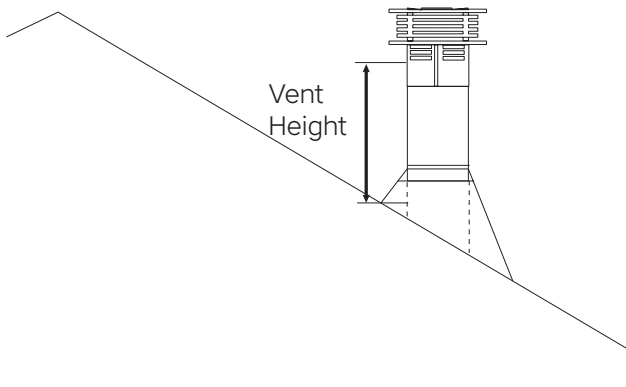
Unit Installation with Vertical Termination

Galvanized pipe is desirable above the roofline due to its higher corrosion resistance. Continue to add pipe sections through the flashing until the height of the vent cap meets the minimum height requirements specified in this manual or local codes. Note that for steep roof pitches, the vertical height must be increased.

7. Ensure vent is vertical and secure the base of the flashing to the roof with roofing nails, slide storm collar over the pipe section and seal with a mastic.
8. Install the vertical termination cap by twist locking it.

! NOTE: Any closets or storage spaces, which the vent passes through must be enclosed.

Diagram 4



Roof Pitch	Minimum Vent Height	
	Feet	Meters
flat to 7/12	2	0.61
over 7/12 to 8/12	2	0.61
over 8/12 to 9/12	2	0.61
over 9/12 to 10/12	2 ½	0.76
over 10/12 to 11/12	3 ¼	0.99
over 11/12 to 12/12	4	1.22
over 12/12 to 14/12	5	1.52
over 14/12 to 16/12	6	1.83
over 16/12 to 18/12	7	2.13
over 18/12 to 20/12	7 ½	2.29
over 20/12 to 21/12	8	2.44

A poor draft, or down drafting can result from high wind conditions near big trees or adjoining roof lines, in these cases. Increasing the vent height may solve the problem.

Offset		Pipe Length		Height	
inches	mm	inches	mm	inches	mm
4 ¾	121	0	0	13 ¼	337
9	229	6	152	17 ½	445
11 ¼	286	9	229	19 ½	495
13 ¼	337	12	305	21 ¾	552
21 ¾	552	24	610	30 ¼	768
30 ¼	768	36	914	39	991
38	965	48	1219	47	1194

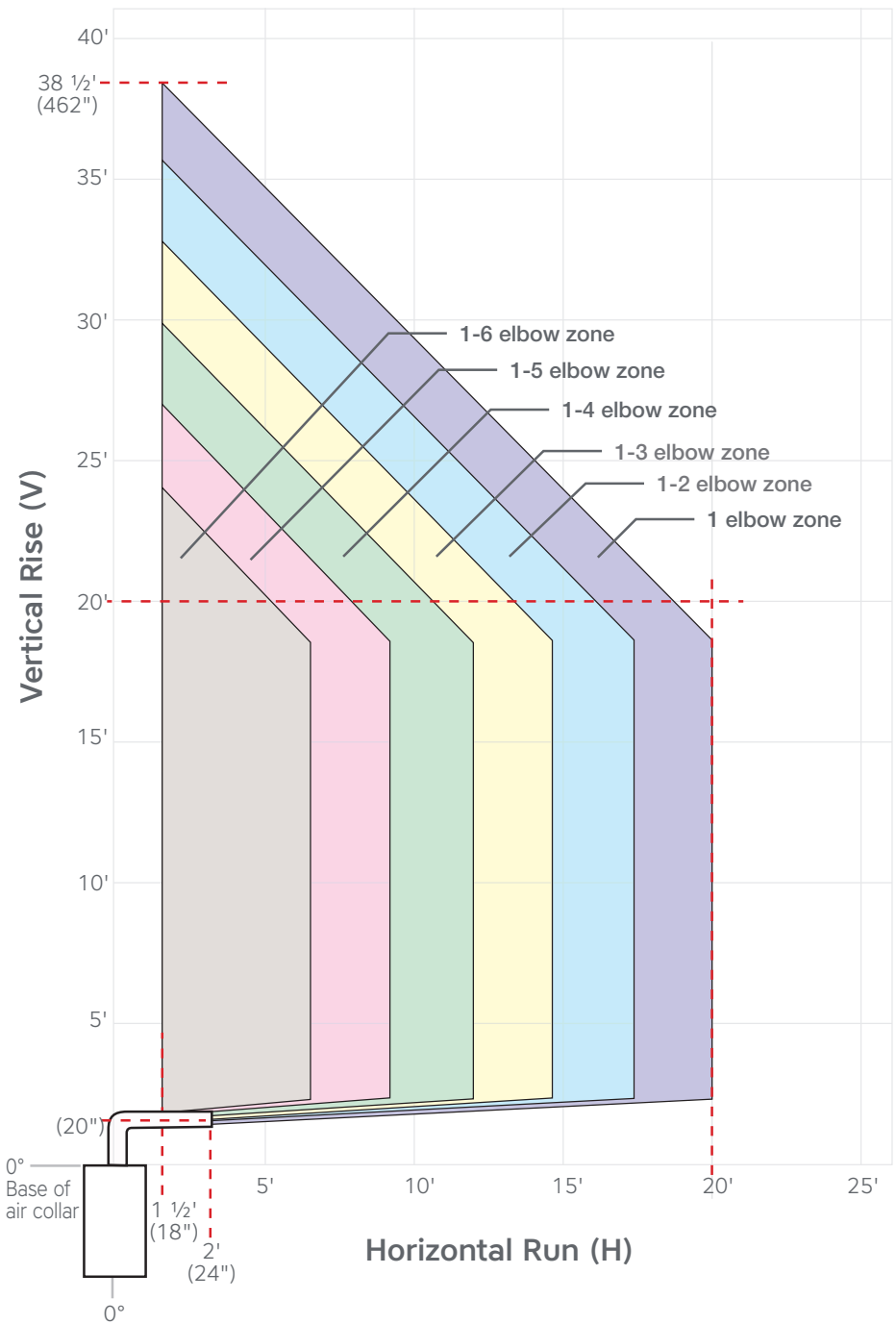
See DuraVent or ICC manufacturer's guidelines for minimum cutout dimensions or frame openings around wall venting. Make sure clearances to combustible material are maintained based on vent part used.

! NOTE: Cutout sizes vary according to the DuraVent or ICC part number used.

Vent Termination

Minimum Venting Requirements

Allowable Vent Configurations for Horizontal Vent Termination
 (For Models FMG3326F, FMG3726L, FMG3726R, FMG4126B,
 FMG3326F-LP, FMG3726L-LP, FMG3726R-LP, FMG4126B-LP ONLY)



$V+H \leq 40$ ft.

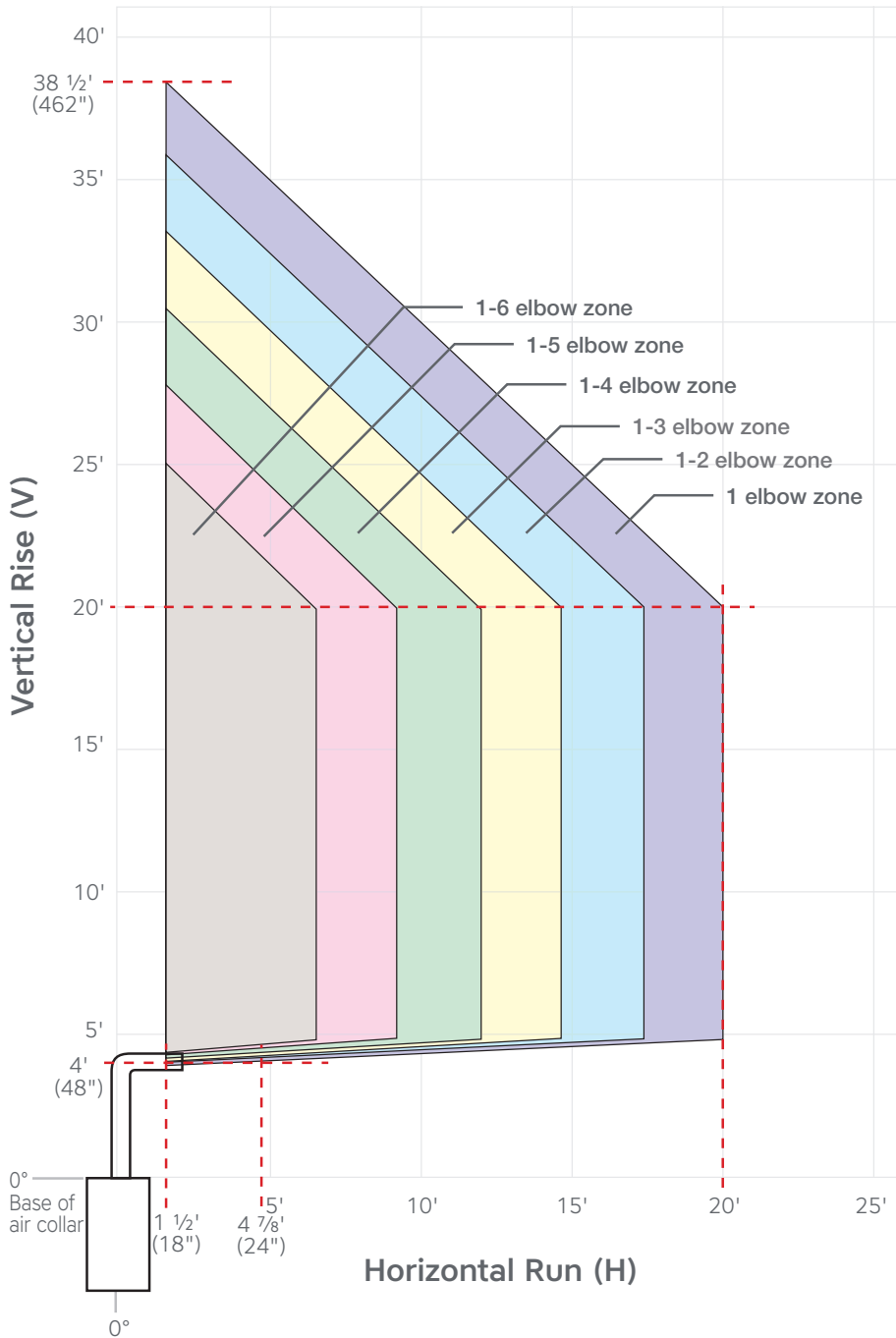
$H \leq 20$ ft.

V + H are measured from the centre of the vent elbows.

Elbows are considered as 90°.

Two 45° elbows = One 90° elbow.

Allowable Vent Configurations for Horizontal Vent Termination (For Models FMG4326F, FMG4726L, FMG4726R, FMG5126B, FMG4326F-LP, FMG4726L-LP, FMG4726R-LP, FMG5126B-LP ONLY)



$V + H \leq 40$ ft.

$H \leq 20$ ft.

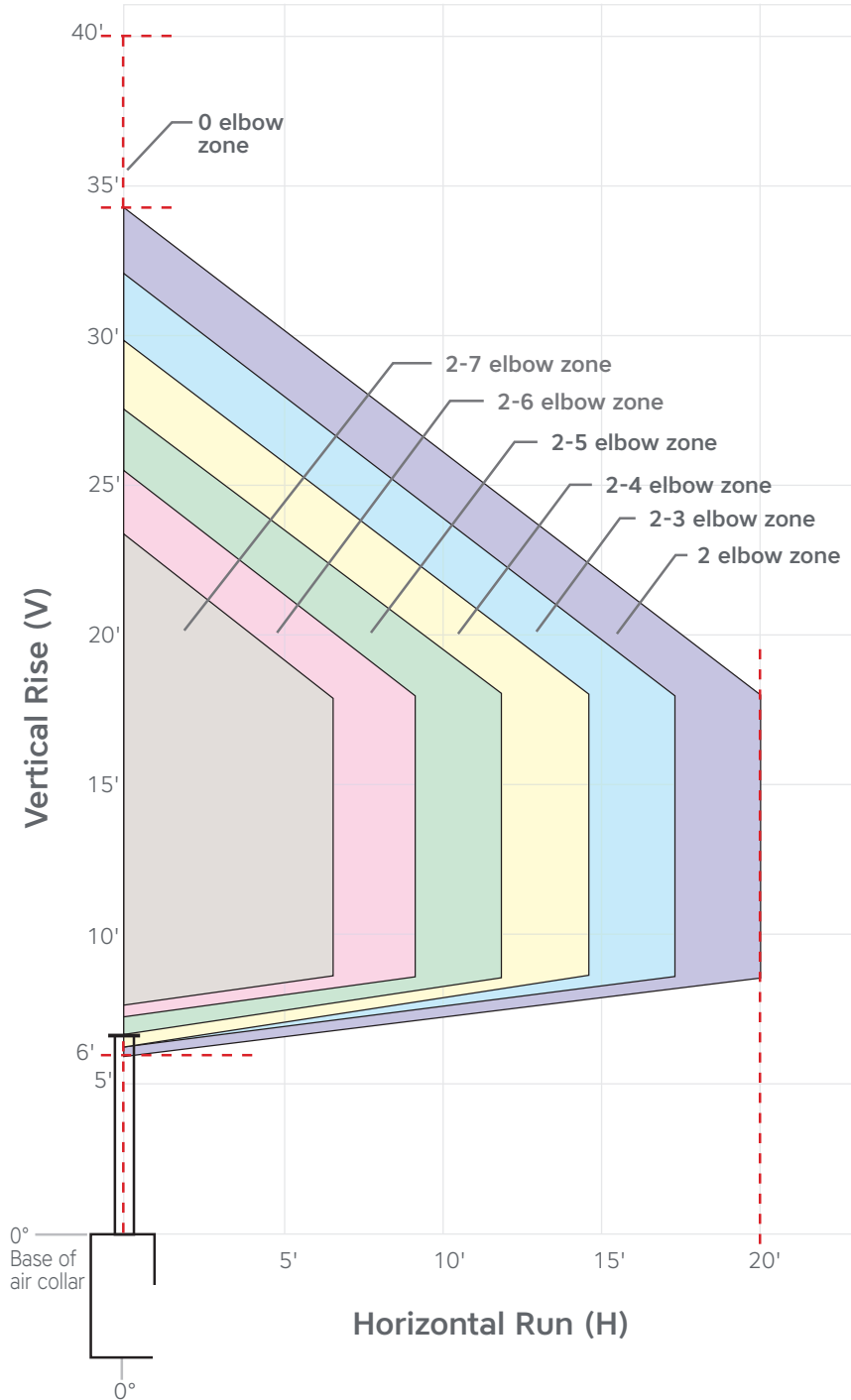
V + H are measured from the centre of the vent elbows.

Elbows are considered as 90°.

Two 45° elbows = One 90° elbow.

Vent Termination

Allowable Vent Configurations for Vertical Vent Terminations (For All Models)



$V+H \leq 40$ ft.

$H \leq 20$ ft.

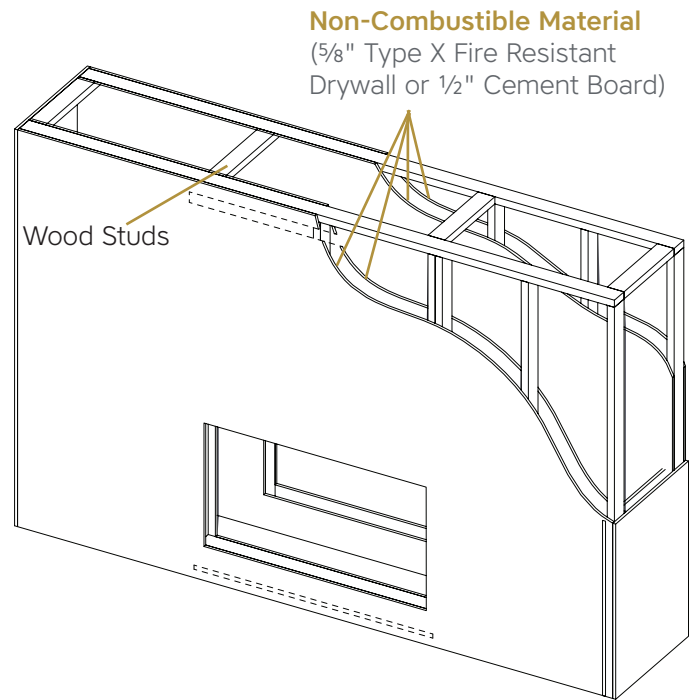
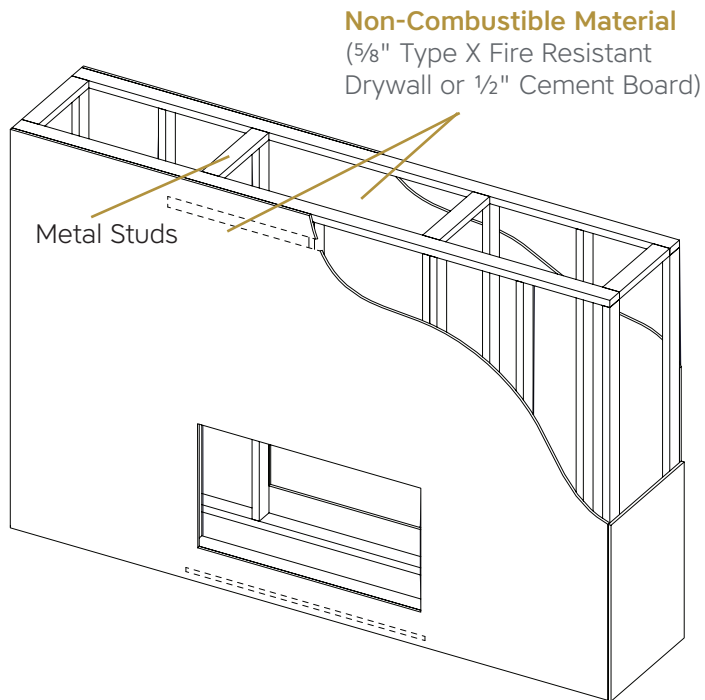
V + H are measured from the centre of the vent elbows.

Elbows are considered as 90°.

Two 45° elbows = One 90° elbow.

Note: A 6' (1.83 m) minimum vertical rise is considered the minimum practical dimension for the specific appliance enclosure and a minimal building structure. However, a greater minimum vertical rise may be needed to suit the specific application constraints or local codes and / or regulatory requirements.

Chase and Framing Installation and Planning



Non-Combustible Framing

A layer of non-combustible material (5/8" Type X fire resistant drywall or 1/2" cement board) is required on the exterior of the metal framing. This provides heat protection for the finishing material.

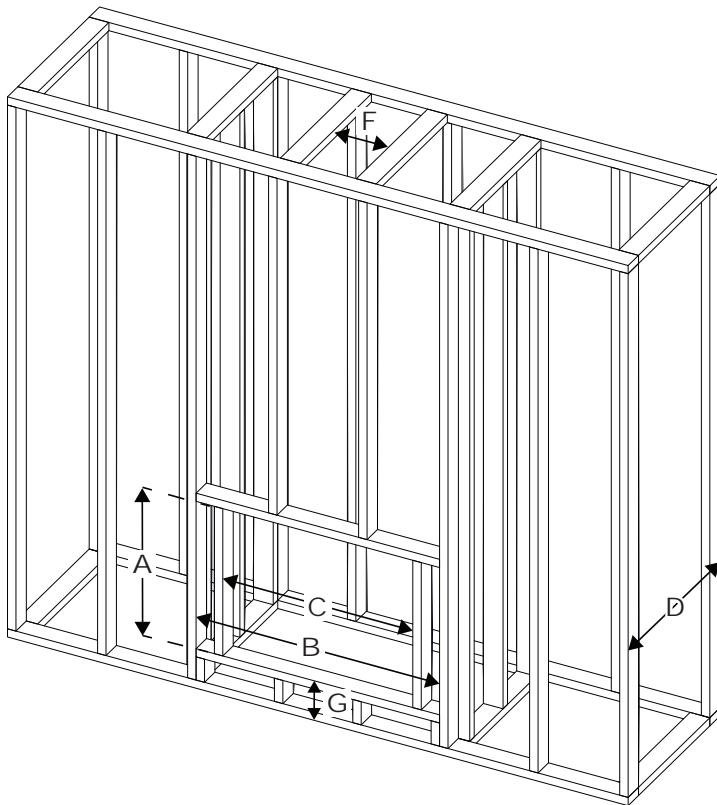
A layer of non-combustible material (5/8" Type X fire resistant drywall or 1/2" cement board) is recommended on the inside of the chase when a television (or similar element) will be installed above the fireplace. See "Television Mounting Information" for more details. A clearance of 1/2" is needed between the non-combustible material and the firebox.

Combustible Framing

A layer of non-combustible material (5/8" Type X fire resistant drywall or 1/2" cement board) is required on the interior (cladding the entire inner cavity/chase) and exterior of the wood framing. This provides heat protection for both the combustible framing and the finishing material.

A clearance of 1/2" is needed between the non-combustible material and the firebox.

Single-Sided Installation



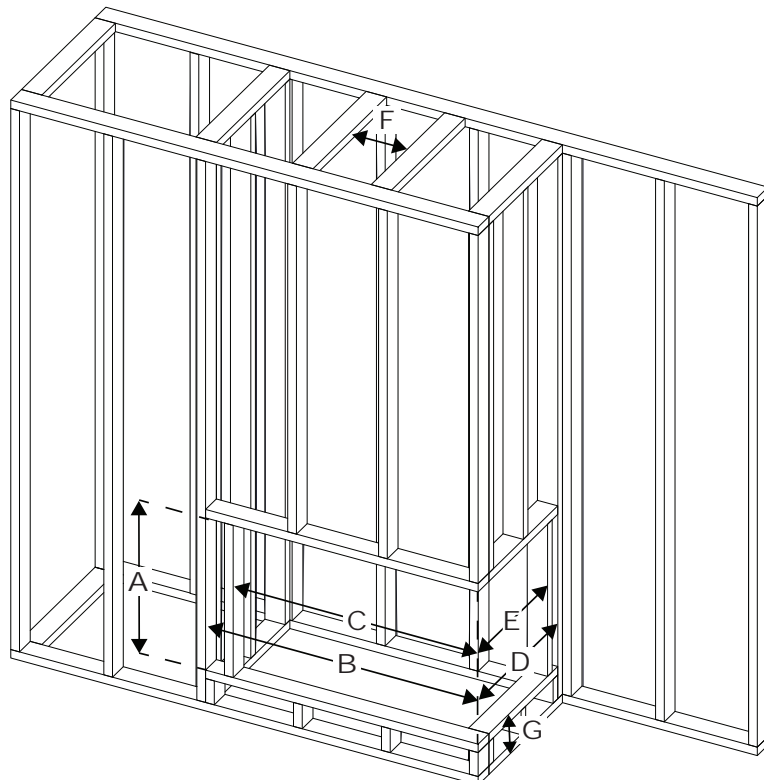
FMG3326F FMG3326F-LP

Reference	Wood framing		Metal Framing	
	inches	mm	inches	mm
A	27	686	27	686
B	44 1/4	1124	43 1/4	1099
C	33 3/4	857	33 3/4	857
D	28 1/2	724	27 1/2	699
F	10	254	10	254
G (min.)	7 1/4	184	7 1/4	184

FMG4326F FMG4326F-LP

Reference	Wood framing		Metal Framing	
	inches	mm	inches	mm
A	27	686	27	686
B	54 1/8	1375	53 1/8	1349
C	43 5/8	1108	43 5/8	1108
D	28 1/2	724	27 1/2	699
F	10	254	10	254
G (min.)	7 1/4	184	7 1/4	184

Two-Sided Installation



FMG3726L/FMG3726R FMG3726L-LP/FMG3726R-LP

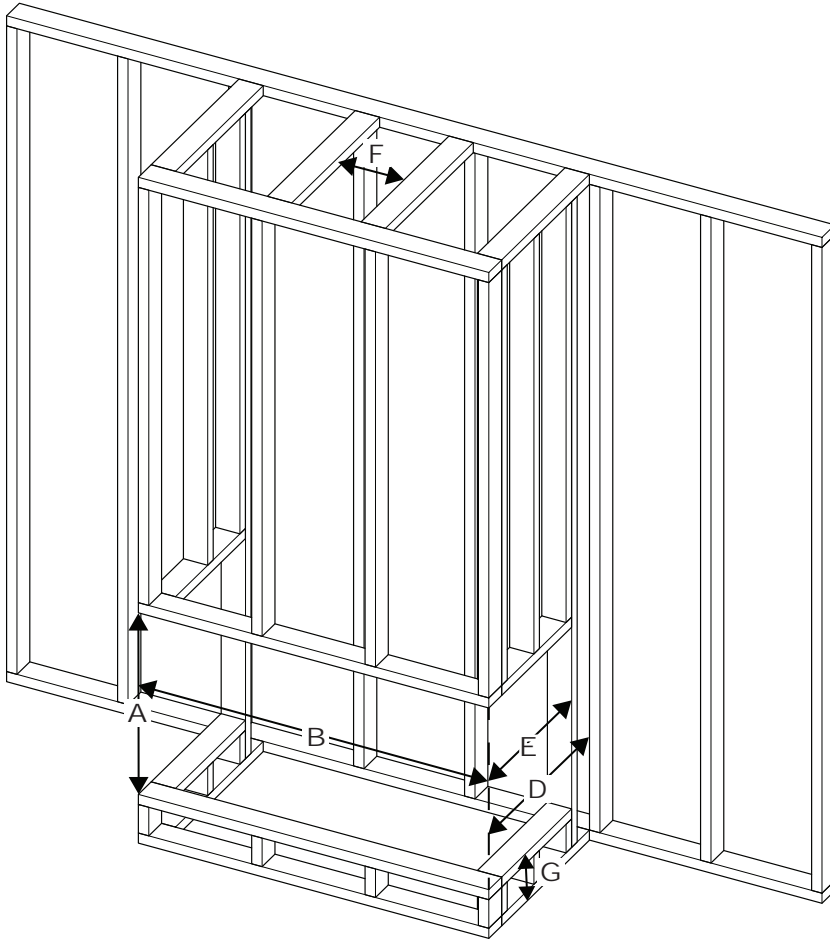
Reference	Wood framing		Metal Framing	
	inches	mm	inches	mm
A	27	686	27	686
B	47 7/8	1216	46 7/8	1191
C	42 5/8	1083	42 1/8	1070
D	28 1/2	724	27 1/2	699
E	23 1/8	587	22 5/8	575
F	10	254	10	254
G (min.)	7 1/4	184	7 1/4	184

FMG4726L/FMG4726R FMG4726L-LP/FMG4726R-LP

Reference	Wood framing		Metal Framing	
	inches	mm	inches	mm
A	27	686	27	686
B	57 3/4	1467	56 3/4	1441
C	52 1/2	1334	52	1321
D	28 1/2	724	27 1/2	699
E	23 1/8	587	22 5/8	575
F	10	254	10	254
G (min.)	7 1/4	184	7 1/4	184

Chase and Framing Installation and Planning

Three-Sided Installation



FMG4126B FMG4126B-LP

Reference	Wood framing		Metal Framing	
	inches	mm	inches	mm
A	27	686	27	686
B	51 1/2	1308	50 1/2	1283
D	28 1/2	724	27 1/2	699
E	23 1/8	587	22 5/8	575
F	10	254	10	254
G (min.)	7 1/4	184	7 1/4	184

FMG5126B FMG5126B-LP

Reference	Wood framing		Metal Framing	
	inches	mm	inches	mm
A	27	686	27	686
B	61 3/8	1559	60 3/8	1534
D	28 1/2	724	27 1/2	699
E	23 1/8	587	22 5/8	575
F	10	254	10	254
G (min.)	7 1/4	184	7 1/4	184

Dimension breakdowns:

Dimension A – Metal: fireplace height + 1/4" (6 mm) (for maneuvering)

Dimension A – Wood: fireplace height + 1/4" (6 mm) (for maneuvering)

Dimension B – Metal: fireplace width+ 5/8" (15 mm)

Dimension B – Wood: fireplace width + 5/8" (15 mm) + 5/8" (15 mm) (type X drywall on either side)

Dimension D – Metal: fireplace depth – 1/2" (12 mm) (drywall lip)

Dimension D – Wood: fireplace depth – 1/2" (12 mm) (drywall lip) + 5/8" (15 mm) (type X drywall)

Dimension F – Metal: pipe diameter + 1" (25 mm) right side clearance + 1" (25 mm) left side clearance

Dimension F – Wood: pipe diameter + 1" (25 mm) right side clearance + 1" (25 mm) left side clearance

Dimension G – Metal: height from floor to bottom trim

Dimension G – Wood: height from floor to bottom trim

Clearances

Material Specifications

Non-Combustible Materials Specification

Non-combustible materials are those which will not ignite and burn. These are materials consisting entirely of steel, iron, brick, tile, concrete, slate, glass or plasters, or any combination thereof. Materials that are reported as passing ASTM E 136, *Standard Test Method for Behavior of Materials in a Vertical Tube Furnace at 750 °C* shall be considered non-combustible materials. Approved non-combustible cement board must be at least 1/2" (13 mm) thick.

Non-combustible material may be installed on the fireplace frame to cover the metal part as detailed in the installation examples and clarifications only if there is no weight transfer to the fireplace. Facing and/or finishing materials must never overhang into the glass opening.

DO NOT connect materials to or drill into the metal fireplace frame. This can result in excessive heat transfer and/or damage to the fireplace and surrounding materials.

All joints between the finished wall sheathing and the appliance must be sealed with non-combustible materials.



WARNING

FIRE HAZARD: DO NOT apply combustible materials beyond the minimum clearances. Comply with all minimum clearances to combustibles as specified in this manual.

Examples of non-combustible materials that can be used:

- Skamol Skamotec
- Promat PROMAFOUR System 1/2" (12 mm), 5/8" (15 mm), 3/4" (18 mm)
- James Hardie - Hardiebacker® 1/2" Cement Board
- 5/8" (15 mm) Type X fire rated drywall. Type X gypsum board must comply with ASTM C1396 specification. Type X fire rated gypsum board can be used around the fireplace or at the back as a non-combustible material.

Combustible Materials Specification

Combustible materials made of or surfaced with wood, compressed paper, plant fibers, plastics, or other materials that can ignite and burn, whether flame-proofed or not, or plastered or un-plastered shall be considered combustible materials.

Clearances

Minimum Combustible Clearances from Vent Pipe

Horizontal Vent Pipe Clearances

A minimum clearance of 3" (76 mm) to the top and 1" (25 mm) to the sides and bottom of the vent pipe on all horizontal runs, to combustibles, is required.

Vertical Vent Pipe Clearances

A minimum of 1" (25 mm) around the vent pipe on all vertical runs to combustibles is required, except for clearances in appliance enclosures.

Horizontal Vents must have a minimum 1/4" (6 mm) rise per 1-foot run towards the termination.

WARNING

- Never allow the vent to run downward. A downward slope can trap heat and become a possible fire hazard.
- Maintain vent clearance to combustibles as detailed above.
- DO NOT pack airspace with insulation or other materials. Failure to keep insulation or other materials away from vent pipe could cause overheating and fire.
- This fireplace is not designed to be load-bearing or support weight of any architectural framing. All framing should be self-supported, supported by the back wall, side wall, or ceiling. Attempting to mount framing to a fireplace subjects' glass to unsupported weight and could result in damage to fireplace or breakage of glass. Improper framing or mounting to unit will void product warranty. Please consult Faber directly for additional questions or concerns about framing options.

Chase Clearances

WARNING

All materials inside the chase and above the fireplace must be non-combustible or covered combustible only.

Clearance to Metal Framing

The minimum clearance to metal framing is 1/2" (13 mm).

Metal Studs

Clearance to side stud: 1/2" (13 mm)

Clearance to Non-Combustible Back Wall: 2" (51 mm) min.

Wood Studs with Metal Header

Clearance to Non-Combustible Board (SIDES): 1/2" (13 mm) min.

Clearance to Non-Combustible Board (BACK WALL): 2" (51 mm) min.

Clearance to Covered Combustible Stud (WOOD): 2-1/2" (64 mm) min.

Clearance to sides and back covers - Non-combustible

The minimum clearance from the back and sides of the fireplace to any non-combustible covered material (1/2" (13 mm) cement board or 5/8" (16 mm) Type X drywall) is 2" (51 mm). This clearance allows for proper airflow.

Clearance to sides and back - Covered combustible

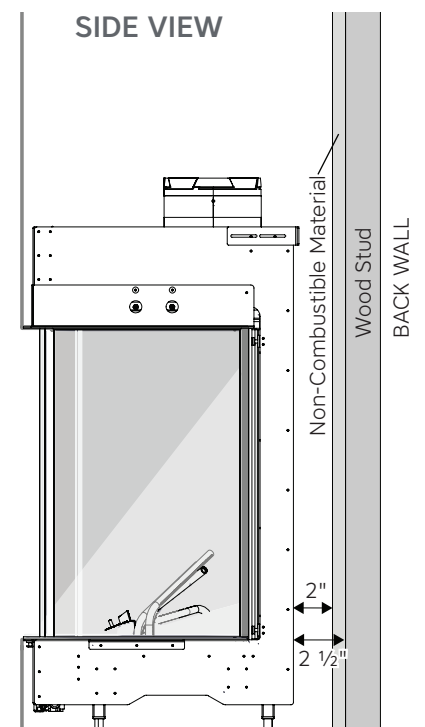
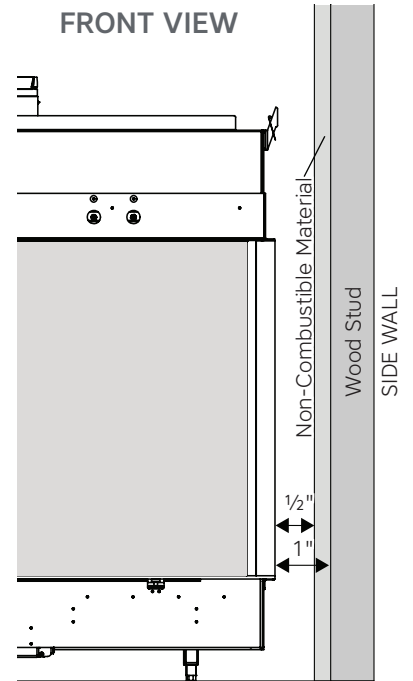
Combustible material at the back or sides of the fireplace, MUST be covered with non-combustible material that is at least 1/2" thick.

Covered wood can be placed a minimum of 2" (51 mm) away (including non-combustible covering) from the sides and back.

Example: A non-combustible cement board is placed 2" (51 mm) from the back of the fireplace. The cement board used is 1/2" (13 mm) thick. Combustible material can be used behind cement board as it is a total of 2 1/2" (64 mm) away from the back of the fireplace and is covered with a non-combustible material.

Clearance to Sides and Back - Combustible

Minimum clearance to combustible material at the back or sides of the fireplace, below the non-combustible line is 1/2" (13 mm) from sides, and 2" (51 mm) over covered combustibles. Please note this does not include minimum clearance directly above the fireplace inside the chase.



Clearances

Chase Clearances

Chase Ceiling

The inner top portion of the chase must be covered with non-combustible material (firestop). No exposed combustible materials are permitted inside the chase.

Floor Clearance

The minimum clearance to the floor is 4 ¼" (108 mm), which is provided by the minimum height of the feet. Do not remove the feet or install the appliance in a manner that would bypass this minimum elevation.

! **NOTE:** Install appliance on hard metal, cement board, drywall or wood surfaces, extending full width and depth.

WARNING

DO NOT install directly on carpeting, vinyl, or any combustible material other than wood.

Additional Clearances

Ceiling Clearance

The minimum ceiling height required for installation of all models is 96" (2.4 m).

The minimum clearance required from the top of the glass to the ceiling is 60" (1.52 m).

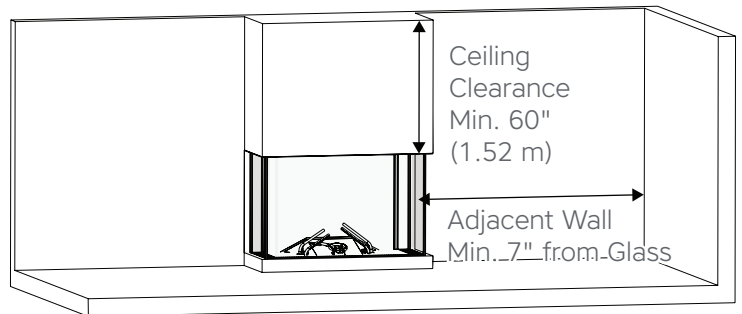
The heat release above the fireplace is critical for keeping the chase and surrounding walls at a relatively low temperature.

Adjacent Wall Clearance

The minimum distance to any side adjacent wall is 7" (178 mm) from the glass for all models.

Front Clearance

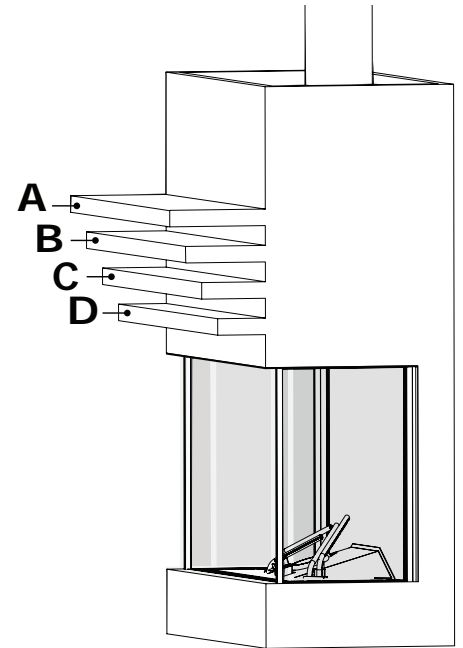
Do not put furniture or any combustible objects within 36" (0,9 m) of glass front of appliance.



Mantel Clearance

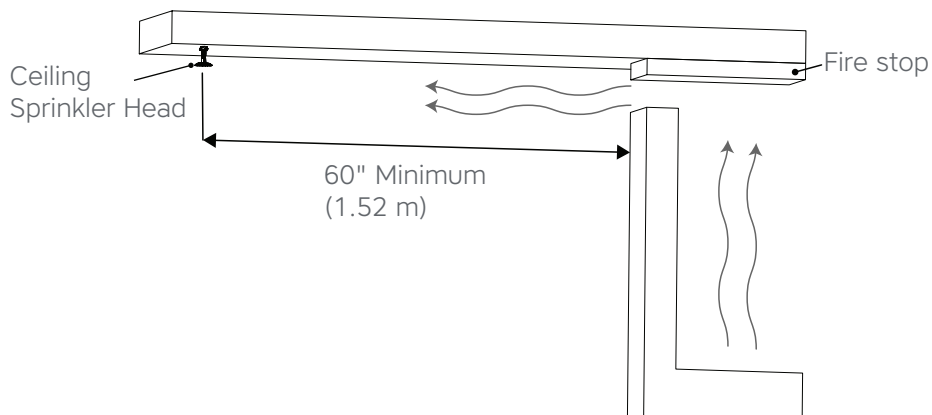
The necessary clearance for a mantel made of combustible materials (e.g., wood) varies according to the mantel depth and height. Use the following table and illustration for information on mantel clearance requirements for mantels made of combustible material installed less than 10" (254 mm) above the top of the fireplace. Do not anchor any mantel or shelf to the fireplace. Only use metal studs above the fireplace as anchor points.

Ref.	Height	Max. Depth
-	> 10" > 254 mm	No maximum
A	10" 254 mm	12" 305 mm
B	6" 152 mm	6" 152 mm
C	4" 101 mm	4" 101 mm
D	2" 51 mm	1" 25 mm



Clearance to Sprinkler

In a situation where a sprinkler head is installed within proximity to a heat release, the diagram below MUST be followed. The distance between the sprinkler head & heat release opening cannot be less than 60" (1524 mm) in length at every point from the origin of the heat release. You must also verify the sprinkler head sensor is set to the proper heat setting so it does not activate when the room heats up from the fireplace being operated normally. Please follow local building code to determine what temperature setting is relevant for your installation.



WARNING

Vaulted ceilings can create a channel that funnels hot air directly towards a sprinkler head placed at the proper distance from heat release, as stated above. If sprinkler head sensor is not rated for high heat, it could potentially set off the sprinkler system inadvertently. Please work with builder & inspector to verify your sprinkler system is properly set to accommodate higher temperatures & is not set up in a heat channel.

Clearances

Finishing Around Front of the Fireplace

Non-combustible finishing material (such as 1/2" cement board, brick, stone, tile, minimum 5/8" (13 mm) Type X fire rated drywall) MUST be used to finish around the front of the appliance. Covered combustible material, can be used to finish around the fireplace, if the proper distance from the fireplace is maintained.

Non-Combustible finishing material must protect any combustible finishing material that is installed above fireplace glass. See "Mantel Clearance" for requirements.

DO NOT connect materials to or drill into the metal fireplace frame. This can result in excessive heat transfer and/or damage to the fireplace and surrounding materials.

Heat Releases and Air Intakes

Heat Releases

This fireplace requires one or more heat release outlet(s) located above the fireplace to allow warm air to flow back into the room and keep the fireplace wall cool.

The total heat release outlet area must be at least 200 square inches (1290 cm²). A larger heat release outlet area is recommended where the application permits it, as this will help reduce the temperature of surrounding wall. The heat release must not be vented outdoors, as this would cause the fireplace to be exposed to outdoor elements.

! NOTE: The recommended minimum dimensions provided for the heat release are measured for open airspace. When using accessories such as vent grilles, the opening must be made larger to account for the reduced open airspace.

The outlet for heat release from the wall enclosure **MUST** remain open. The outlet must be at the top part of the enclosure but not necessarily at the front, so long as the measurements below are maintained. Heat release openings can be installed at the front, on the sides (one on each side), on the back, or on top (in case of a drop wall design, where the top of the wall does not meet the ceiling) of the enclosure.

The top of the heat release outlet(s) must be between 1" - 3" (25 mm - 76 mm) down from the fire stop or ceiling. For installations where the top of a heat release outlet is less than 3", it is recommended to use fire-rated board on the ceiling. A non-combustible fire stop must be placed at the top of the inside of the chase and must be framed in a way that does not allow any pockets of heat to be formed. The heat should be able to rise to the fire stop and freely flow through the vent to enter the room.

Air Intake

This fireplace requires a cool air intake located below the fireplace.

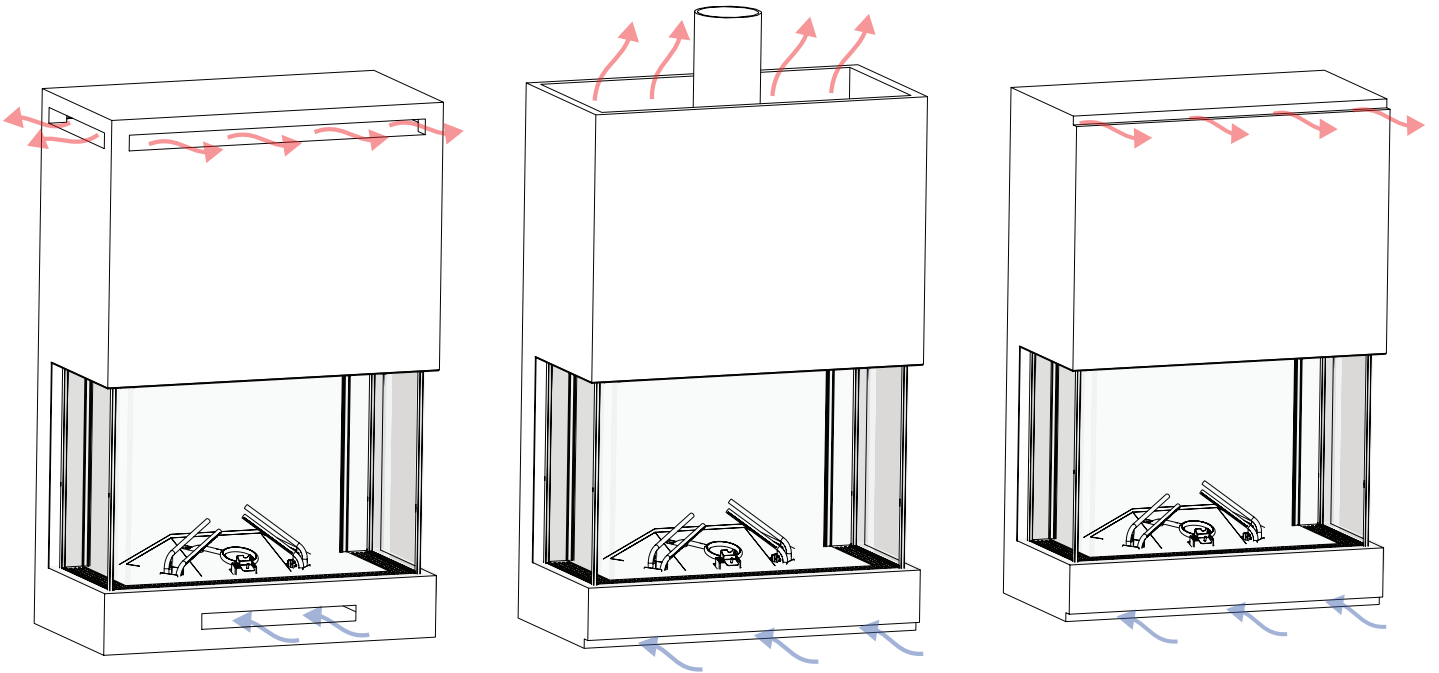
The total air intake area must be at least 100 square inches (645 cm²).

! NOTE: The recommended minimum dimensions provided for the air intake are measured for open airspace. When using accessories such as vent grilles, the opening must be made larger to account for the reduced open airspace.

The air intake opening can also be used as an access door to the gas valve, if it meets both of the size requirements for the access door and the air intake opening. The air intake opening can be installed at the sides of the enclosure (one on each side), or at the front.

Heat Releases and Air Intakes

Examples of Heat Releases and Air Intakes



Classic Registers

Openings at the front, sides, or back (pick one or more) can be covered with vent registers. It is possible to heat multiple rooms this way.

Drop Wall

The wall does not reach the ceiling and is left open on top.

Shadow Line

A recess hides the opening at the top for a heat release and/or at the bottom for air intake.

Television Mounting Information



WARNING

Please note that most television manufacturers and manuals will instruct the owner not to install television above or near a fireplace. Mounting a television above the fireplace is based on the owner's decision and responsibility. Faber will not be held liable for any adverse effects on a TV, artwork or other equipment located near the appliance. It is the customer's or contractor responsibility to verify that their TV or artwork can withstand the wall temperatures at the installation site.

This fireplace design directs the heat from the fireplace into the fireplace chase to be released from the top heat release outlet. The design allows for a relatively low temperature on the external wall above the fireplace.

Follow the charts and instruction below for suggested installation of a television above the fireplace

- Please note that electric wiring used for the television must be insulated for heat when installed inside the chase above the fireplace.
- It is critical that wiring insulation does not obstruct the hot air flow from going to the top part of the chase to be released back to the room through the heat release outlet.
- All wires **MUST** be secured and anchored to the frame to prevent any possibility of wires dropping on top of the fireplace.
- A double layer of drywall is recommended in the area behind the TV to allow cables and other related materials to be installed without blocking hot air flow. Use non-combustible material for double wall.
- Wires should be inserted into the recess from the top or sides in order to avoid proximity to the fireplace heat release outlet or air intake inlet.
- Placing insulation above the fireplace may result in a fire hazard. Airflow above the fireplace should remain open to allow heat to be released from the top of the chase.
- When installing a television above the fireplace without recessing it, a mantel must be installed between the top of the fireplace and the bottom of the television to avoid exposing the television to excessive heat.
- To reduce the amount of heat around and below the television, increase the size of the heat release outlet as much as the installation will allow. **ALWAYS** follow minimum heat release requirements.
- See images for information on minimum clearances for different TV installation options. All dimensions shown are minimum dimensions. Hot air flow inside the chase (marked in red arrows) should be maintained and free from obstruction to allow heat to release freely at the top of the chase.

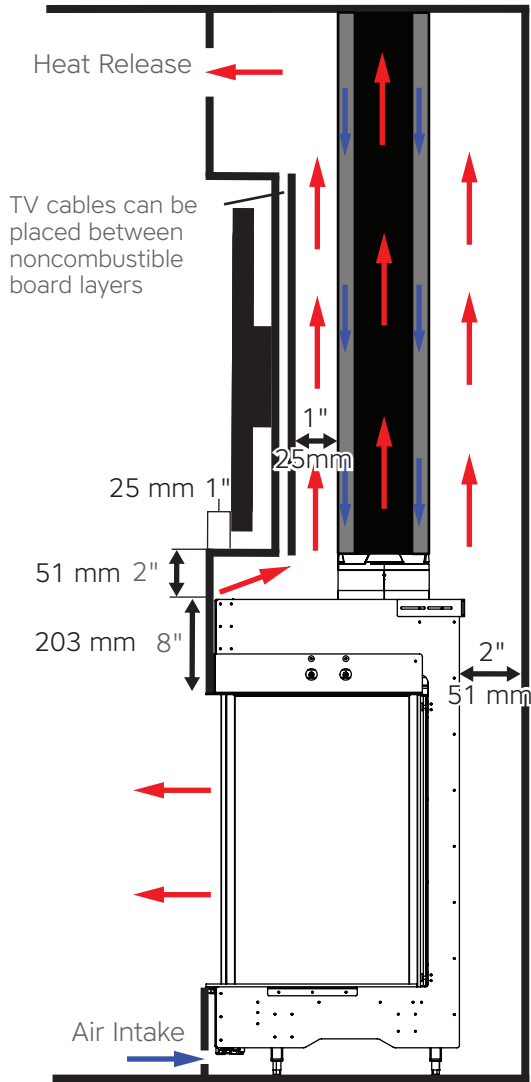


WARNING

Maintain open airflow between the fireplace and wall covers. Make sure cables or any other materials are not blocking hot airflow.

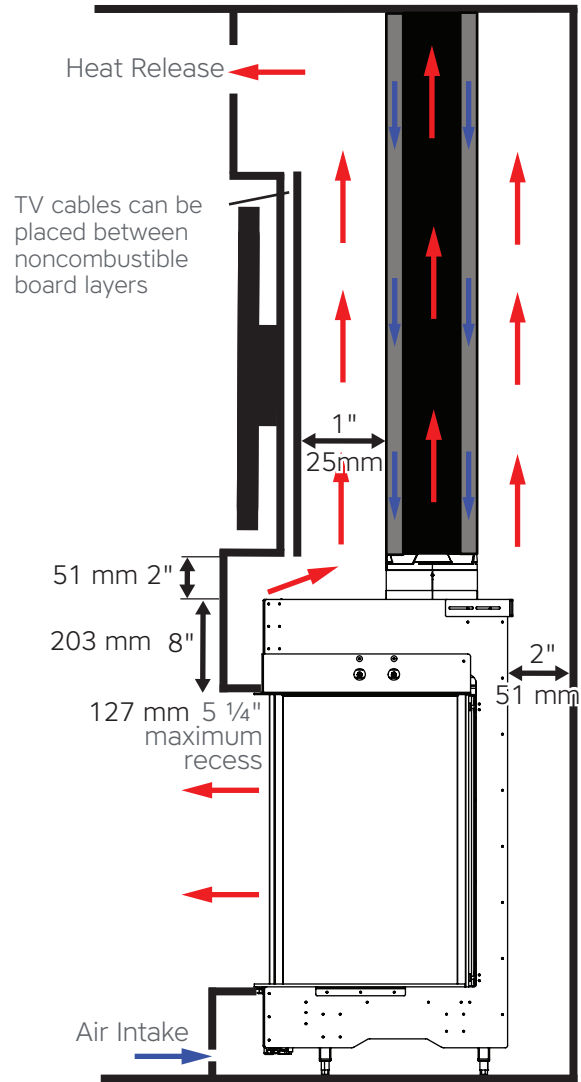
Television Mounting Information

Flat with Recessed TV



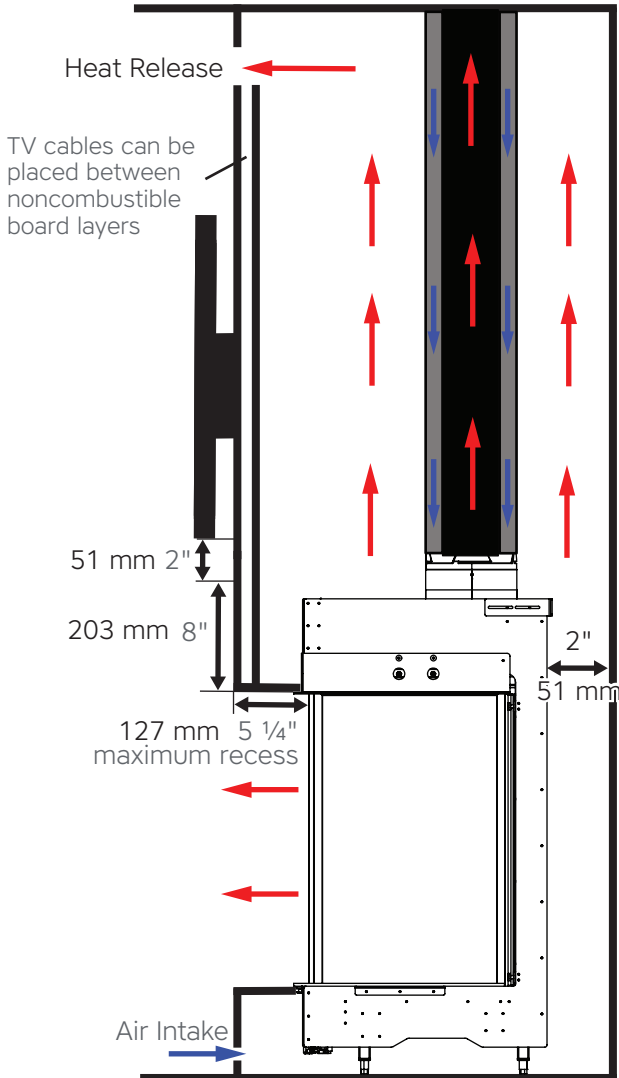
* All measurements shown are minimum requirements.

Recessed with recessed TV



* All measurements shown are minimum requirements.

Television Installed Flush Above Fireplace

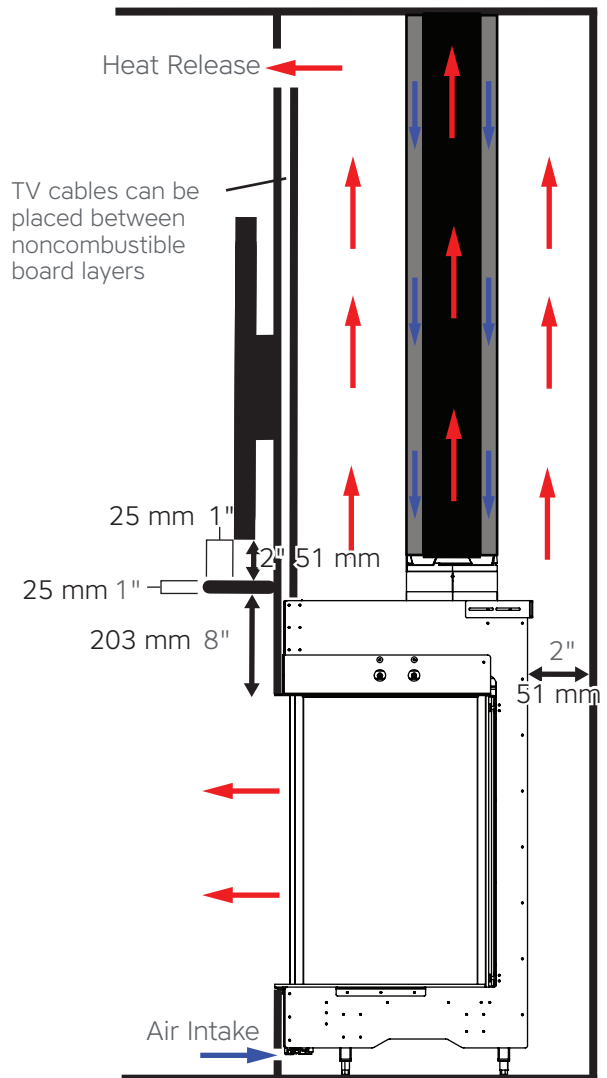


* All measurements shown are minimum requirements.

Television Install Without Recess

Minimum Requirements for Installing a Television Without a Recess:

- The TV must be at least 11" (280 mm) total above the glass of the fireplace.
- A mantel at least 1" (25 mm) thick and 6" (152 mm) deep should be installed a minimum of 8" (203 mm) above the glass.
- The TV must be at least 2" (51 mm) above the mantel and 1" back from the edge of the mantel.



* All measurements shown are minimum requirements.

Gas Installation

General

WARNING **RISK OF FIRE OR EXPLOSION!**

- All gas handling and installation should be performed by a qualified service technician or installer.
- Gas build-up during line purge could ignite. Ensure adequate ventilation. Ensure there are no ignition sources, sparks, or open flames.
- **Do not change the gas valve setting!** The fireplace gas valve has been preset at the factory.
- Installing an external manual gas valve before connection to the fireplace is necessary.
- Make sure to check for gas leaks before lighting the fireplace for the first time. Do not use an open flame to check for gas leaks.

This appliance and its individual shut off valve must be disconnected from gas supply piping system during any pressure testing of that system at test pressures more than 1/2 psig (3.5 kPa).

This appliance must be isolated from the gas supply piping system by closing its individual manual shut off valve during any pressure testing of the gas supply piping system at test pressures equal to or less than 1/2 psig (3.5 kPa).

Have the gas supply line installed in accordance with local codes, if any. If not available, follow ANSI 223.1.

Installation should be done by a qualified installer approved and/or licensed as required by the locality (In the Commonwealth of Massachusetts Installation must be performed by a licensed plumber or gas fitter).

1. Move the appliance into position and secure it to the wall using the back or side mount.
2. Install a manual gas valve before the connection to the fireplace appliance automatic valve.
3. Connect the gas line to the fireplace. The appliance is designed to accept a 1/2" (13 mm) gas supply.
4. Connect the gas supply in accordance to local codes, CAN/CSA-B149.1 in Canada or to the current National Fuel Gas Code, ANSI 2223.1 / NFPA 54 in the United States.
5. Check for gas leaks using non-corrosive commercially available leak-check solution before operating the gas appliance.
6. Measure and document gas pressure below:
Inlet ___ W.C. Burner (Manifold) ___ W.C. Ensure the Min/Max inlet pressure matches the table below.
7. Verify minimum pressures when other household gas appliances are operating.
8. Lighting the fireplace for the first time may take some time until the line is purged.

! NOTE: Do not place the gas valve or controls above the level of the burner.

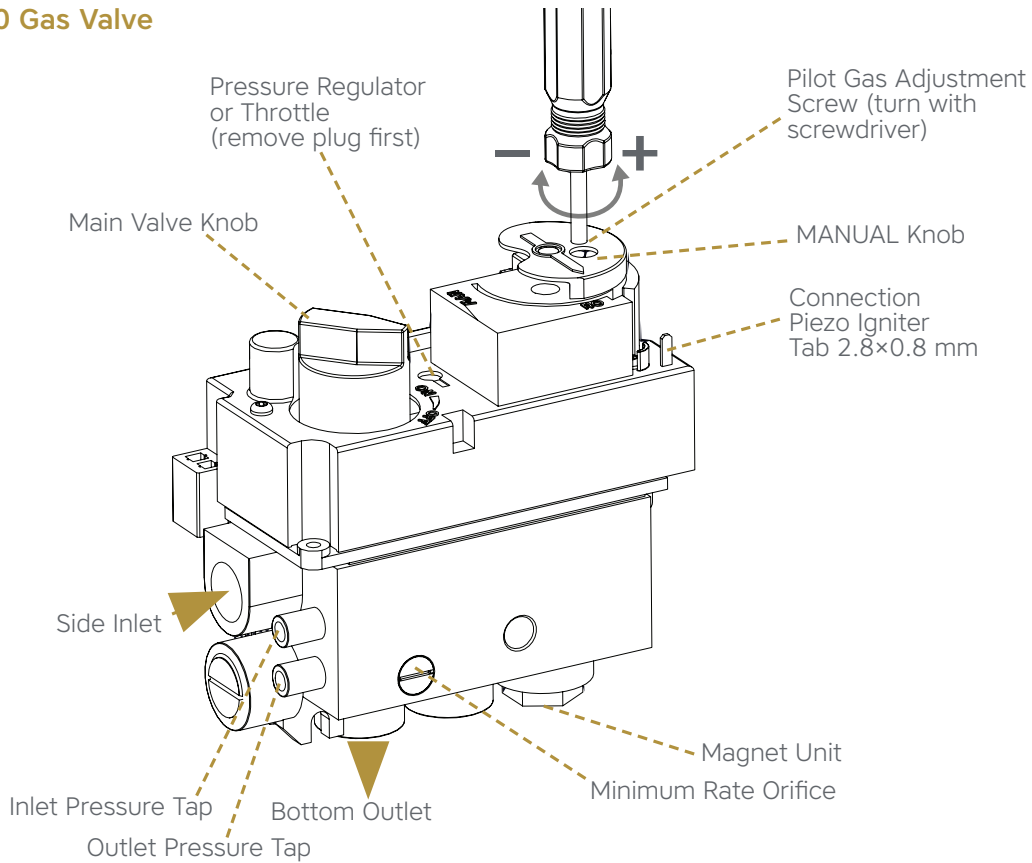
	Natural Gas	Propane
Inlet Pressure	7.0" W.C.	11.0" W.C.

WARNING **RISK OF FIRE OR EXPLOSION!**

High pressure will damage valve. Low pressure could cause explosion.

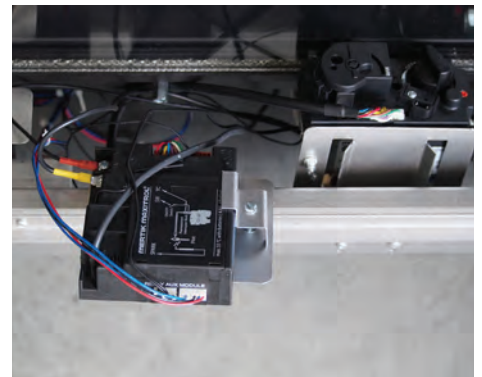
Gas Valve

Maxitrol GV60 Gas Valve



Accessing the Gas Valve and Electronic Receiver

1. Remove the bottom trim and safety screen.
2. Remove the lower grill (pictured).
3. The components can now be accessed for installation and service.



Gas Installation

Installation at High Altitude

This fireplace is tested and approved for installations at elevations of 0 - 4500 feet (0 - 1372 m) above sea level using the standard burner orifice sizes. At the time of installation, it must be determined if the appliance needs to be de-rated. Contact your local gas supplier for de-rating requirements for your area.

Derated installation consideration can start at 2000 feet (610 m) above sea level.

At higher elevations, the amount of BTU fuel value delivered must be reduced by either using gas that has been derated by the gas company or by changing the burner orifice to a smaller size as regulated by the local authorities having jurisdiction and by the (USA) National Fuel Gas Code NFPA 54/ANSI 2223.1 - latest edition or in Canada, the CAN/CSA-8149.1 code - latest edition.

Gas Valve Access Door

! NOTE: This fireplace has a gas valve and control system that can be stretched up to 46" (1.2 m) *from the middle* of the fireplace and be put next to the access door location.

The access door can be placed on any side of the fireplace, below the non-combustible line. Do not place the gas valve or controls above the level of the burner. If the fireplace is to sit low on the floor, the controls must be placed outside the non-combustible zone or insulated from the heat of the fireplace.

The use of a 10" x 10" (254 x 254 mm) access door is highly recommended. If no access door is installed, it is possible to access the gas valve from inside the fireplace by removing the outer screen and cover plate.

The access door can also be used as a lower air intake as long as the opening requirements are maintained. See "Air Intake" section for details.

The access door can be concealed in many ways such as HVAC vent cover, removable tile connected with Velcro straps and more.

Commonwealth of Massachusetts

For all side wall horizontally vented gas fueled equipment installed in every dwelling, building or structure used in whole or in part for residential purposes, including those owned or operated by the Commonwealth and where the side wall exhaust vent termination is less than seven (7) feet above finished grade in the area of the venting, including but not limited to decks and porches, the following requirements shall be satisfied:

1. **INSTALLATION OF CARBON MONOXIDE DETECTORS.**

At the time of installation of the side wall horizontal vented gas fueled equipment, the installing plumber or gasfitter shall observe that a hard-wired carbon monoxide detector with an alarm and battery back-up is installed on the floor level where the gas equipment is to be installed. In addition, the installing plumber or gasfitter shall observe that a battery operated or hard-wired carbon monoxide detector with an alarm is installed on each additional level of the dwelling, building or structure served by the side wall horizontal vented gas fueled equipment. It shall be the responsibility of the property owner to secure the services of qualified licensed professionals for the installation of hard-wired carbon monoxide detectors

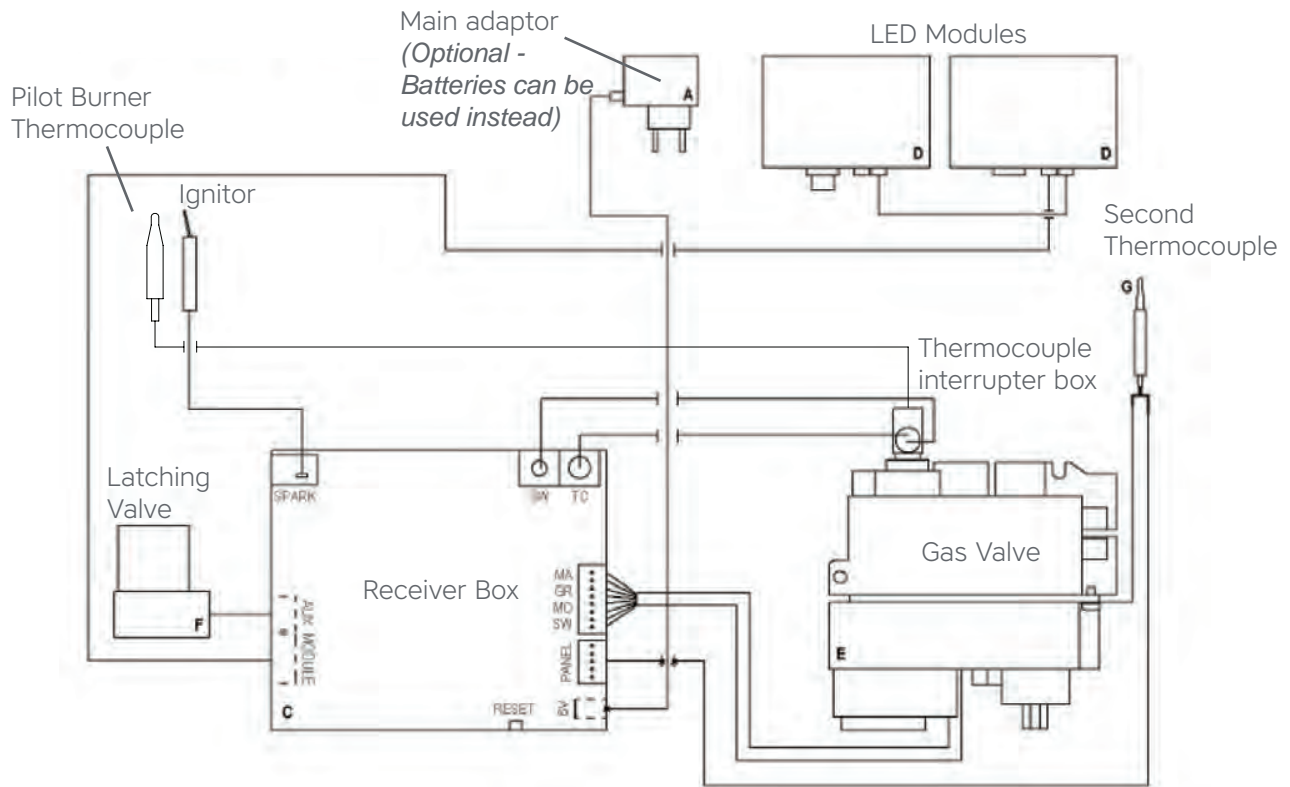
 - a. In the event that the side wall horizontally vented gas fueled equipment is installed in a crawl space or an attic, the hard-wired carbon monoxide detector with alarm and battery back-up may be installed on the next adjacent floor level.
 - b. In the event that the requirements of this subdivision cannot be met at the time of completion of installation, the owner shall have a period of thirty (30) days to comply with the above requirements; provided, however, that during said thirty (30) day period, a battery operated carbon monoxide detector with an alarm shall be installed.
2. **APPROVED CARBON MONOXIDE DETECTORS.** Each carbon monoxide detector as required in accordance with the above provisions shall comply with NFPA 720 and be ANSI/UL 2034 listed and IAS certified.
3. **SIGNAGE.** A metal or plastic identification plate shall be permanently mounted to the exterior of the building at a minimum height of eight (8) feet above grade directly in line with the exhaust vent terminal for the horizontally vented gas fueled heating appliance or equipment. The sign shall read, in print size no less than one-half (1/2) inch in size, "GAS VENT DIRECTLY BELOW. KEEP CLEAR OF ALL OBSTRUCTIONS".
4. **INSPECTION.** The state or local gas inspector of the side wall horizontally vented gas fueled equipment shall not approve the installation unless, upon inspection, the inspector observes carbon monoxide detectors and signage installed in accordance with the provisions of

248 CMR 5.08(2)(a)1 through 4.

- (b) **EXEMPTIONS:** The following equipment is exempt from 248 CMR 5.08(2)(a)1 through 4:
 1. The equipment listed in Chapter 10 entitled "Equipment Not Required To Be Vented" in the most current edition of NFPA 54 as adopted by the Board; and
 2. Product Approved side wall horizontally vented gas fueled equipment installed in a room or structure separate from the dwelling, building or structure used in whole or in part for residential purposes.
- (c) **MANUFACTURER REQUIREMENTS - GAS EQUIPMENT VENTING SYSTEM PROVIDED.** When the manufacturer of Product Approved side wall horizontally vented gas equipment provides a venting system design or venting system components with the equipment, the instructions provided by the manufacturer for installation of the equipment and the venting system shall include:
 1. Detailed instructions for the installation of the venting system design or the venting system components; and
 2. A complete parts list for the venting system design or venting system.
- (d) **MANUFACTURER REQUIREMENTS - GAS EQUIPMENT VENTING SYSTEM NOT PROVIDED.** When the manufacturer of a Product Approved side wall horizontally vented gas fueled equipment does not provide the parts for venting the flue gases, but identifies "special venting systems", the following requirements shall be satisfied by the manufacturer:
 1. The referenced "special venting system" instructions shall be included with the appliance or equipment installation instructions; and
 2. The "special venting systems" shall be Product Approved by the Board, and the instructions for that system shall include a parts list and detailed installation instructions.
- (e) A copy of all installation instructions for all Product Approved side wall horizontally vented gas fueled equipment, all venting instructions, all parts lists for venting instructions, and/or all venting design instructions shall remain with the appliance or equipment at the completion of the installation.

Electric and Control

Wiring Diagram



Power Source

WARNING

This appliance must be electrically wired and grounded in accordance with local codes, or in the absence of local codes, with National Electric Code ANSI/NFPA 70-latest edition or the Canadian Electric Code CSA C22.1. A 110–120 V AC circuit for this product must be protected with ground-fault circuit-interrupter protection, in compliance with the applicable electrical codes, when it is installed in locations such as in bathrooms or near sinks.

The electrical system can be powered either by plugging the adaptor into a grounded outlet or by installing 4 AA batteries (alkaline ONLY). If a mains A/C adaptor is not used, battery replacement is recommended at the beginning of each heating season as part of the yearly service check. The receiver box is equipped with a low battery indicator, which will beep frequently for 3 seconds when the motor turns.

Wall Switch - Optional



If you wish to install the wall switch option, you will need to purchase the GV60 Wall Switch Accessory Kit, as well as the 2nd thermocouple cable (G60-ZCTCR/[...]) from your authorized gas fireplace dealer.

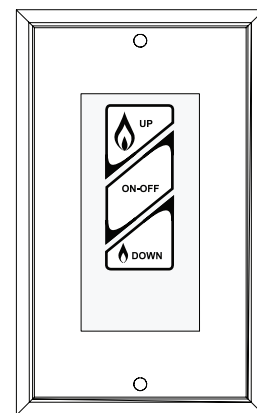
The GV60 Wall Switch Accessory Kit can be purchased separately as an option to control the fireplace. The accessory kit includes a wall switch, a wall plate, and a cable available in various lengths.

The following operations can be done from the wall switch:

- Turn the fireplace on and off.
- Increase and decrease the flame height.

The thermostat and programming functions are not available with the wall switch.

The fireplace receiver will respond to both the wall switch or remote commands, regardless of what was used to originally turn the system on.



Combination with Wall Switch

1. Remove the cable plugged in the wall switch harness connection (Image 1) and replace with cable provided in wall switch accessory kit.
2. Insert the MOLEX crimp terminal of the second thermocouple cable (G60-ZCTCR/[...]) into the open connector hole of the plug (see image 2). Listen for a "click".
3. Insert the insulated receptacle into the insulated 2nd thermocouple terminal.
4. Insert the plug connector into the receiver (see image 3).

Image 1: Location of wall switch harness connection indicated by arrow

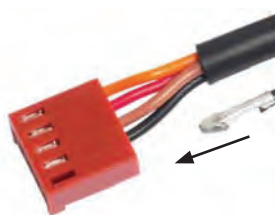
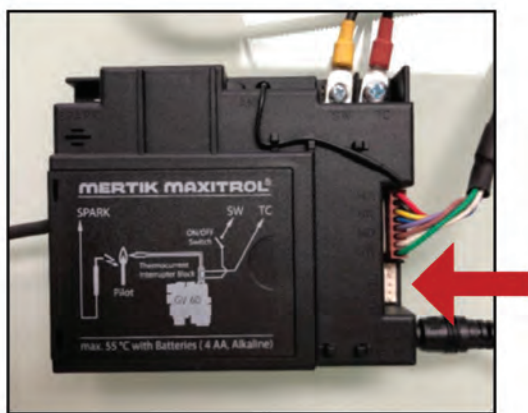


Image 2: Lock MOLEX crimp terminal of the G60-ZCTCR... cable inside connector hole of the plug.



Image 3: Insert plug connector into the receiver.

Final Installation

Media Arrangement

Follow the instructions below for information on how to add and arrange media in your fireplace:

- Do not place any type of media on the pilot or in front of the pilot. Keep 1" (25 mm) distance from the pilot to allow correct operation of the pilot.
- Logs are specifically designed to fit over many of the burners. Please ensure that the logs fit properly for best operation.
- Keep the pilot front cover view open to be able to view the pilot spark and flame from outside.
- Use only fire glass and ceramic chips provided with unit. All other materials will void warranty.
- When the fireplace glass is removed and media is placed, ensure the fire glass does not fall on the glass lower frame as that may cause breakage when putting back the front glass.
- Make sure pilot is clear of any fire glass pieces.
- Maintain minimum distance of ¼" (6 mm) from media to the fireplace glass panels.
- Refer to this manual for instructions on how to remove, replace, and arrange the fireplace logs and glass media.

FMG3326F, FMG3726L, FMG3726R, FMG4126B FMG3326F-LP, FMG3726L-LP, FMG3726R-LP, FMG4126B-LP



1. Arrange fire glass in the above configuration. Ensure that glass is not placed in circled areas.



2. Install the two burner logs over the burners as shown above. Once placed, ensure the logs do not move.

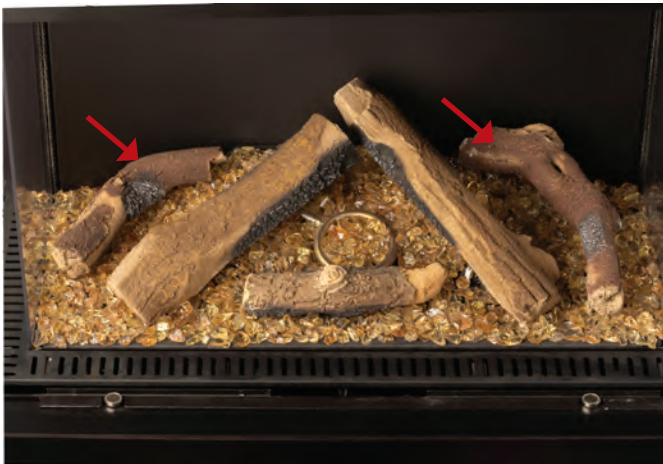
Media Arrangement



Closeup of proper installation position of the front two burner logs over the burners.



3. Install front log in the slot and pilot bracket front pin, as shown above.



4. Position two back side logs as shown above.



5. Position the two front small logs as shown.

Final Installation

Media Arrangement



6. Position the two front side logs.



7. Position the back center log.



Correct



Incorrect

Correct media placement versus incorrect placement of media around pilot assembly.

Final Installation

Media Arrangement

FMG4326F, FMG4726L, FMG4726R, FMG5126B
FMG4326F-LP, FMG4726L-LP, FMG4726R-LP, FMG5126B-LP



1. Arrange fire glass in the above configuration. Ensure that glass is not placed in circled areas.



2. Install the two burner logs over the burners as shown above. Once placed, ensure the logs do not move.



Closeup of proper installation position of the front two burner logs over the burners.



3. Position two back side logs as shown above.

Media Arrangement



4. Install front log in the slot and pilot bracket front pin, as shown above.



5. Position the two front small logs as shown.



5. Place the remaining logs as shown above.



Correct



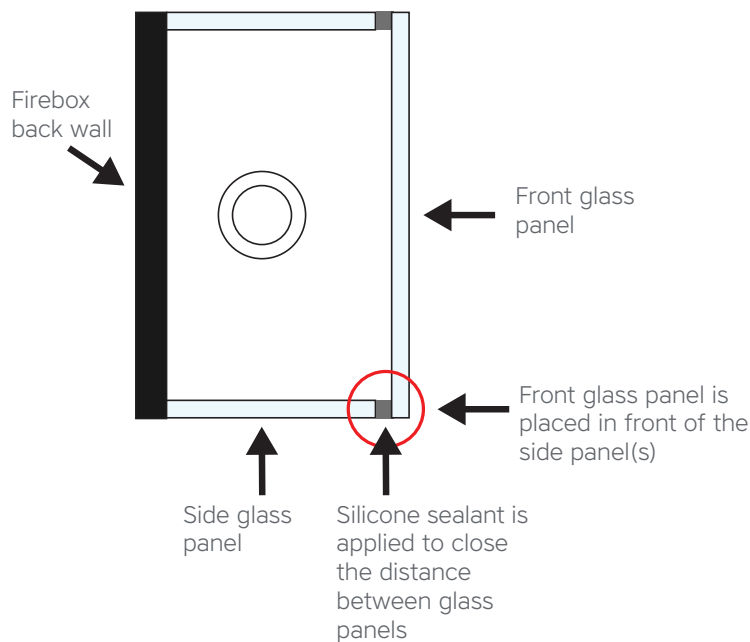
Incorrect

Correct media placement versus incorrect placement of media around pilot assembly.

Sealing the glass

A tube of silicone sealant is supplied with the fireplace for application to all glass-to-glass connections on both sides of the glass. The purpose of the silicone is to create a gasket, not to "glue" the glass panels together.

**Glass Seal Assembly Diagram
TOP VIEW**



- When placing glass panels, ensure that the glass is fully in place and that the silicone fills the space between the glass panels. Place the front or center panel in place first and then slide the side panel into place so that the silicone edge touches the glass edge.
- After new silicone is applied, cure time is 24 hours before operation of the fireplace.
- If silicone needs to be reapplied, high-temperature RTV clear silicone, rated for sustained exposure to 500 °F / 260 °C or higher is required (Rutland 500°F RTV High Heat Clear Silicone Sealant is recommended.)
- Re-apply high-temperature RTV clear silicone only if the original silicone is damaged.
- Do not use silicone to seal the glass after it is in place.
- Always use appropriate materials and cleaning agents to clean glass.

Feature Removal

Safety Screen Removal

Follow the instructions below for safety screen removal.

! **NOTE:** Safety screen may be shipped separately from the appliance



WARNING

The barrier is designed to reduce the risk of burns from the hot viewing glass and is provided with this appliance. It must remain installed for the protection of children and other at-risk individuals.

Do NOT operate the fireplace without the safety screen barrier.

1. Loosen the coupling nuts from the screen brackets at the top using a small wrench or socket set. There are two coupling nuts per bracket. The front screen has two brackets, and each side screen has one.
2. Push the top frame of the screen up until it clears the bottom of the opening.
3. Tilt the bottom of the screen out and pull down so the top frame clears the opening.

To reinstall the safety screen, follow the steps above in reverse order. Ensure nuts are secured tightly.



Glass Removal

SAFETY PRECAUTIONS

WARNING: Turn off the fireplace and allow time for the unit to cool before attempting to remove the glass.

CAUTION: The ceramic glass is very fragile and should be handled with care.

WARNING: Do not operate the appliance with glass removed, cracked or broken. Replacement of the panel(s) should be done by a licensed or qualified service person.

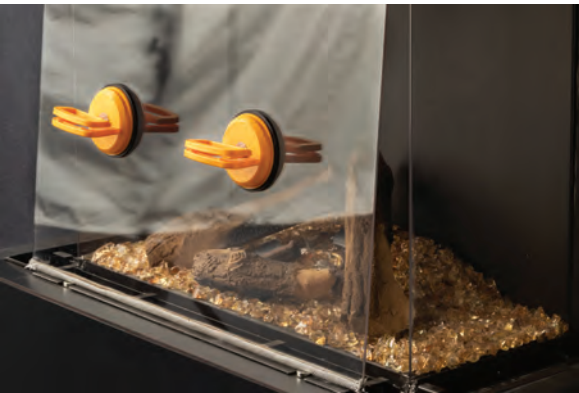
! **NOTE:** Two suction cups are needed to remove the glass. These are supplied with the fireplace.



1. Loosen the coupling nuts on the bottom front glass bracket using a small wrench or socket set. Do not completely remove.



2. Remove coupling nuts from top front glass bracket using a small wrench or socket set. Remove all coupling nuts leaving the middle one until last.



3. Carefully taking a sharp blade and cut silicone sealant front edges on exposed glass edges.
4. Attach glass suction cups to the glass. Remove the last coupling nut and hold glass with suction cup and remove top bracket completely from trim. Using two suction cups, gently raise glass up and remove bottom of glass from bottom bracket. Slowly swing glass out from bottom and remove glass.
5. Place glass panel in a safe place, being careful not to chip glass edges that are very fragile.

If side glass needs to be removed, repeat steps 1 to 5 for the side glass as well.

! **NOTE:** When removing the side glass, the back brackets will also need to be loosened with a small wrench or socket set before the glass can be removed.



CAUTION: When putting the glass back, DO NOT overtighten the bolts or glass may break.

Replacement Parts

1	Suction Cup (1)		9600820100RP
2	Silicone in Small Tube		0800310100RP
3	Matrix 800 NG Log Set	FMG3326F/FMG3726L/FMG3726R/FMG4126B	0443080100RP
4	Matrix 800 LP Log Set	FMG3326F-LP/FMG3726L-LP/FMG3726R-LP/FMG4126B-LP	0478820100RP
5	Matrix 1050 LP Log Set	FMG4326F-LP/FMG4726L-LP/FMG4726R-LP/FMG5126B-LP	0478830100RP
6	Matrix LP Burner Logs (includes the 2 burner logs only)	All propane models	0478840100RP
7	Glass Beads, orange 10-20mm, 2 kg		1400160100RP
8	Remote Control (918 Mhz Symax, 10-Button Blk)		3002230100RP
9	120V Power Adaptor		2100310100RP
10	LED Glass Cover		5904020100RP
11	SIT Natural Gas Pilot/Ignition Module with Thermocouple	All natural gas models	1800020100RP
12	Burner 1	All natural gas models	0500200100RP
13	Burner 2	All natural gas models	0500210100RP
14	Burner Halo	All natural gas models	0500220100RP
15	Burner 3	All natural gas models	0500230100RP
16	Burner 4	All natural gas models	0500240100RP
17	SIT Propane Pilot/Ignition Module with Thermocouple	All propane models	1800070100RP
18	LP Burner 1	All propane models	0500310100RP
19	LP Burner 2	All propane models	0500320100RP
20	LP Burner Halo	All propane models	0500330100RP
21	LP Burner 3	All propane models	0500340100RP
22	LP Burner 4	All propane models	0500350100RP
23	Receiver 918 MHz, Symax		3002250100RP
24	Combo Control with Receiver		5400320100RP
25	Interrupter, Thermocouple		2800300100RP
26	Thermocouple, Second Burner		3300020100RP
27	Solenoid 3/8" NPT, Latching GV60		1900030100RP
28	Symbio LED Module with LCD wire		3500090100RP
29	Cable, Ignition 25kV 4mm 1200mm		2500990100RP
30	Cable 8-Wire 500mm		2501010100RP
31	Cable, Interrupter-Receiver TC		2501020100RP
32	Cable, Interrupter-Receiver SW		2501020200RP
33	Cable with Molex, TC		2501030100RP
34	Cable, TC		2501030200RP
35	Coupling Nuts for Glass (set of 4)		8100370100RP
36	Front Glass (with Gasket)	FMG3326F/ FMG3326F-LP	5903370100RP
37		FMG3726L/FMG3726R/FMG3726L-LP/FMG3726R-LP	5903370200RP
38		FMG4126B/FMG4126B-LP	5903370400RP
39		FMG4326F/FMG4326F-LP	5903370500RP
40		FMG4726L/FMG4726R/FMG4726L-LP/FMG4726R-LP FMG5126B/FMG5126B-LP	5903370600RP
41	Side Glass (with Gasket)	FMG3726L/FMG3726R/FMG3726L-LP/FMG3726R-LP	5903370300RP
		FMG4126B/FMG4126B-LP	
		FMG4726L/FMG4726R/FMG4726L-LP/FMG4726R-LP	
		FMG5126B/FMG5126B-LP	
42	Front Screen	FMG3326F/ FMG3326F-LP	0442980300RP
43		FMG3726L/FMG3726R/FMG3726L-LP/FMG3726R-LP	0442980400RP
44		FMG4126B/FMG4126B-LP	0442980100RP
45		FMG4326F/FMG4326F-LP	0442980600RP
46		FMG4726L/FMG4726R/FMG4726L-LP/FMG4726R-LP	0442980700RP
47		FMG5126B/FMG5126B-LP	0442980500RP
48	Side Screen	FMG3726L/FMG3726R/FMG3726L-LP/FMG3726R-LP	0442980200RP
		FMG4126B/FMG4126B-LP	
		FMG4726L/FMG4726R/FMG4726L-LP/FMG4726R-LP	
		FMG5126B/FMG5126B-LP	

Maintenance



WARNING

- It is recommended that a qualified service technician perform a routine inspection at the beginning of each heating season.
- Disconnect power before attempting maintenance or repair of the fireplace.
- Installation and maintenance must be performed by an authorized qualified installer, service agency, or gas supplier.
- Any safety screen or guard removed for servicing must be placed back before operating this appliance.
- DO NOT USE this appliance if any part has been under water. Immediately call a qualified service technician to inspect the unit and to replace any part of the control system and any gas valve that has been under water or impacted.
- Any alteration to the product that causes soot or carbon to accumulate and results in damage is not the responsibility of the manufacturer.
- Do not modify or substitute any part of this appliance.
- Inspect the external vent cap on a regular basis to make sure that no debris, plants, trees, or shrubs are interfering with the airflow.
- Do not operate the fireplace without the fireplace glass.
- It is imperative that control compartments, screens, or fans system for double glass are kept clean and free of obstructions.

These areas provide the air necessary for safe operation.

- Light the heater using the built-in igniter. Do not use matches or any other external device to light the fireplace.
- Never remove, replace, modify or substitute any part of the heater unless instructions are given in this manual. All other work must be done by a trained technician. Do not modify or replace orifices.

Maintenance Instructions

1. Always turn off the gas valve before cleaning. For relighting, refer to lighting instructions. Keep the burner and control compartment clean by brushing and vacuuming at least once a year. When cleaning the logs, use a soft clean paint brush as the logs are fragile and easily damaged.
2. Clean appliance and door with a damp cloth (never when unit is hot). Never use an abrasive cleaner. The glass should be cleaned with a gas fireplace glass cleaner. The glass should be cleaned when it starts looking cloudy.
3. The fireplace is finished in a heat-resistant paint and should only be refinished with heat-resistant paint.
4. Make a periodic check of burner for proper position and condition. Visually check the flame of the burner periodically, making sure the flames are steady; not lifting or floating. If there is a problem, call a qualified service person.
5. The appliance and venting system must be inspected before use, and at least annually, by qualified field service person, to ensure that the flow of combustion and ventilation air is not obstructed.
! **NOTE:** Never operate the appliance without the glass properly secured in place.
6. In the event this appliance has been serviced check that the vent-air system has been properly resealed & reinstalled in accordance with the manufacturer's instructions.
7. Verify operation after servicing.

Maintenance

Yearly Service

Failure to inspect and maintain the fireplace may lead to improper combustion and a potentially dangerous situation. We recommend the following procedures be done by a qualified technician.

Glass Maintenance

- Always use suction cups to remove the fireplace glass. Use the manual procedure for instruction on how to remove the fireplace glass.
- Always use gloves when removing the glass to protect your hand and prevent finger prints on the glass.
- DO NOT USE abrasive cleaners on the glass panels. DO NOT ATTEMPT to clean the glass panels when they are hot.
- Do not use normal household (usually ammonia-based) glass cleaners to clean the glass as these cleaners can leave a permanent stain. **Only a gas fireplace glass cleaner should be used.**
- Verify no cracks or breakage in the glass.
- Place glass in a safe location to prevent breakage.
- Never attempt to operate the fireplace without the fireplace glass.

Pilot Maintenance

- Visually inspect the pilot flame. The pilot flame should be always present when the fireplace is in operation.
- Make sure the pilot flame has two flame tips pointing to the flame sensor (thermocouple) and to the center of the burner.
- Make sure the pilot area is clean from any dust, media or any other debris that may disrupt the operation of the ignition system. Lint or foreign material must be removed with a brush or vacuum.
- Verify fireplace ignition using the remote or wall switch. Verify electronic ignition, sparking sequence, pilot operation and burner ignition.

Burner Maintenance

- The flames from the burner should be visually checked. The flame should have a blue base and yellow tops and be candle-like in appearance.
- If excessive soot is found inside the firebox area, the fireplace will require adjustment. Verify the air shutter and vent restrictor setting and document any changes.
- If the flame becomes sooty, dark orange, or extremely tall, do not operate the heater.
- Measure manifold gas pressure. (Natural gas: 7" W.C., Propane: 11" W.C.)

Vent Maintenance

The following venting system inspection by a qualified service technician is recommended every six months:

- Inspect for excessive condensation, e.g., water droplets forming in the inner lining and subsequently dripping out of the joints. This can cause corrosion in the system.
- Check for corrosion in areas exposed to the elements. Where rust spots or holes have appeared, these must be immediately replaced.
- Ensure that there is no foreign material in the vents. Survey by removing the cap and shining a light down the vent.
- Check all joints and pipes to make sure that nothing has been disturbed or loosened.

Operation Inspection

Periodically check the pilot and main burner flames to ensure correct operation. Correct pilot flame pattern has two strong blue flames: one flowing around the flame sensor and one flowing across the burner (it does not have to be touching the burner).



Correct main burner flame pattern

Incorrect flame pattern will have small, probably yellow flames, not coming into proper contact with the rear burner or flame sensor. Incorrect operation may also result in soot or carbon build-up.

! **NOTE:** If you have an incorrect flame pattern, contact your Faber dealer for further instructions.

Maintenance

Log Replacement

The unit should never be used with broken logs. Turn off the gas valve and allow the unit to cool before opening door and carefully remove the logs. (The pilot light generates enough heat to burn someone.) If for any reason a log should need replacement, you must use the proper replacement log. The position of these logs must be as shown in the diagrams under Log Installation.

! NOTE: Improper positioning of logs may create carbon build-up and will severely alter the unit's performance which is not covered under warranty.

Glass Gasket

If the glass gasket on the appliance requires replacement a graphite gasket specifically designed for this appliance is required. This gasket is supplied with preinstalled self-adhesive tape.

There is also gasket installed on the edge of the inner glass to protect against breakage when installing the glass.

Glass

To clean fireplace glass, only a gas fireplace glass cleaner should be used. Do not use normal household (usually ammonia-based) glass cleaners to clean the glass as these cleaners can leave a permanent stain. Do not use abrasive materials or cleaners.

WARNING

- Do not clean when the glass is hot.
- The use of substitute glass will void all product warranties.
- Care must be taken to avoid breakage of the glass.
- Do not strike or abuse the glass.
- Do not operate this fireplace without the glass front, or with a cracked or broken glass front.
- Wear gloves and safety glasses when removing damaged or broken glass.
- Replacement of the glass panels should be done by a licensed or qualified service person.

1. Always turn off the gas valve before cleaning. For relighting, refer to lighting instructions. Keep the burner and control compartment clean by brushing and vacuuming at least once a year. When cleaning the logs, use a soft clean paint brush as the logs are fragile and easily damaged.
2. Clean appliance and door with a damp cloth (never when unit is hot). Never use an abrasive cleaner. The glass should be cleaned with a gas fireplace glass cleaner. The glass should be cleaned when it starts looking cloudy.

Glass Replacement

Contact Faber for replacement glass if required. Install as per instructions provided with replacement.

- Check for evidence of excessive condensation, such as water droplets forming in the inner liner, and subsequently dripping out the joints, continuous condensation can cause corrosion of caps, pipe, and fittings. It may be caused by having excessive lateral runs, too many elbows, and exterior portions of the system being exposed to cold weather.
- Inspect joints, to verify that no pipe sections or fittings have been disturbed, and consequently loosened. Also check mechanical supports such as Wall Straps, or plumbers' tape for rigidity.

General Vent Maintenance

Conduct an inspection of the venting system twice a year. Recommended areas to inspect as follows:

1. Check the Venting System for corrosion in areas that are exposed to the elements. These will appear as rust spots or streaks, and in extreme cases, holes. These components should be replaced immediately.
2. Remove the Cap, and shine a flashlight down the Vent. Remove any bird nests, or other foreign material.
3. Check for evidence of excessive condensation, such as water droplets forming in the inner liner, and subsequently dripping out the joints, continuous condensation can cause corrosion of caps, pipe, and fittings. It may be caused by having excessive lateral runs, too many elbows, and exterior portions of the system being exposed to cold weather.
4. Inspect joints, to verify that no pipe sections or fittings have been disturbed, and consequently loosened. Also check mechanical supports such as Wall Straps, or plumbers' tape for rigidity.

Troubleshooting Guide

Unit does not power on using the remote control

Remote control is not synced	<p>Remote must learn new code</p> <p>Press and hold the receiver's reset button until you hear 2 acoustic signals. After the second longer acoustic signal, release the reset button and within the subsequent 20 seconds, press ▼ (down arrow) and hold on the remote handset until you hear an additional long acoustic signal confirming the new code is set.</p> <ul style="list-style-type: none"> • NOTE: if 15-20 seconds pass while pressing and holding ▼ (down arrow) and a long single tone is heard, confirm the sticker label (see below) on the remote handset and back of the receiver are both blue, or remote sticker is black, and the receiver sticker is green.
Remote batteries are dead	Replace batteries (2 × AAA batteries)
Receiver batteries are dead	Replace batteries (2 × AA alkaline batteries)
Pins on the 8-pin connector are bent	Inspect the pins and straighten as needed
Receiver is surrounded by metal - transmission range is reduced	Bring remote closer to receiver
RF interference - transmission range is reduced	Change the position of the antenna
Receiver is defective	Replace receiver
Remote is defective	<p>Ensure labels on back of remote and receiver match in color. Blue and blue, green to black.</p> <p>Replace remote if needed and reprogram code.</p>
No ignition, no tone	
Remote and receiver are not synced	See above to ensure remote has correct code to receiver.
Receiver has no power	Check power to receiver.
Receiver is defective	Replace receiver
No Ignition; One continuous 5 second tone (7 short beeps might be heard prior to the 5 second tone)	
Loose wire	Inspect wires, tighten as necessary
Bent pins on 8 wire connectors	Inspect pins, straighten as necessary
Receiver requires power cycling	Reset receiver and resync remote
Receiver is defective	Replace receiver
Valve is defective	Replace valve

No Pilot Flame and control continues to spark	
Air in the pilot line.	Purge the line (start ignition several times.)
No spark at pilot burner.	Check spark gap; Check for spark in location along cable.
	Check spark on the receiver by disconnecting the spark cable from the receiver.
Inappropriate inlet pressure	Confirm gas pressure is correct rating for NG/LPG.
Air seal issue around pilot.	Inspect and correct as needed.
Clogged pilot gas line.	To test, remove glass and attempt to light pilot with long stem-lighter.
	Disconnect pilot line from valve and check gas flow.
	Reset receiver and attempt to re-ignite.
Valve is defective	Replace valve
Receiver is defective	Replace receiver and reprogram code.
Pilot is lit, and control continues to spark. Valve shuts after 10-30 seconds.	
Over tightened thermocouple interrupter	Contact customer service or gas technician
Thermocouple is defective	Replace thermocouple
Receiver is defective	Replace receiver
Pilot is lit and sparking stops. Valve shuts after 3-60 seconds. Valve does not operate manually.	
Not enough voltage generated from the thermocouple or too much resistance in the circuit.	Use a digital multimeter set in the mV range and measure the voltage by connecting the test leads to the spade connector. Spade connector is located on the outer surface, directly beside the magnet nut. The available voltage must be at least 5 mV. The manufacturer must specify the drop time for the application. The drop time can be measured after the thermocouple is heated.
Low inlet pressure.	Confirm regulator pressure and sizing. Replace if necessary.
Thermocouple is defective	Replace thermocouple
Valve is defective	Replace valve
3 short beeps while the motor turns	
Receiver batteries are low	Replace batteries (2 × AA alkaline batteries)
Pilot flame lights but there is no main gas flow	
Low inlet pressure	Contact customer service or gas technician
Valve turned down to pilot flow.	Turn flame to high fire by pressing up button on remote handset.
Main gas burner line is crimped	Contact customer service or gas technician
Clogged burner orifice	Contact customer service or gas technician
Valve is defective	Replace valve

Warranty

Limited Lifetime Warranty

Faber extends this Limited Lifetime Warranty to the original purchaser of this appliance provided the product remains in the original place of installation. The items covered by this limited warranty and the period of such coverage is set forth in the table below. Some conditions apply (see below).

The policy is not transferable, amendable, or negotiable under any circumstances.

Part	Parts & Labor Warranty Coverage		
	Lifetime	5 years	1 year
Firebox	✗		
Steel Burner Tube		✗	
Glass Thermal breakage only		✗	
All Surrounds/Inlays Finishes		✗	
Panels and Log sets		✗	
Valve assembly and all gas control components, (Pilot assembly, Spark Electrode, Pilot Tubing, Orifices, Thermocouple)			✗
All Other Electrical components (Ignition Control Boards, Wiring, Switches, Battery Pack, Remote Control Systems)			✗
Glass Panels			✗
Venting/Venting Components			✗
All Stainless Steel Surrounds			✗
All Firebox Media			✗
All hardware			✗
Mesh/Glass Safety Barriers			✗
Glass (Crazing)			✗

Conditions:

Warranty protects against defects in manufacture or Faber factory assembled components only unless herein specified otherwise.

Any part(s) found to be defective during the warranty period as outlined above will be repaired or replaced at Faber's option through an accredited distributor, dealer or preapproved and assigned agent provided that the defective part is returned to the distributor, dealer or agent for inspection if requested by Faber. Alternatively, Faber may at its own discretion fully discharge all of its obligations under the warranty by refunding the verified purchase price of the product to the original purchaser. The purchase price must be confirmed by the original Bill of Sale.

The authorized selling dealer, or an alternative authorized Faber dealer if preapproved by Faber, is responsible for all infield diagnosis and service work related to all warranty claims. Faber is not responsible for results or costs of workmanship of unauthorized Faber dealers or agents in the negligence of their service work.

At all times Faber reserves the right to inspect reported complaints on location in the field claimed to be defective prior to processing or authorizing of any claim. Failure to allow this upon request will void the warranty. All warranty claims must be submitted by the dealer servicing the claim, including a copy of the Bill of Sale (proof of purchase by you).

All claims must be complete and provide full details as requested by Faber to receive consideration for evaluation. Incomplete claims may be rejected. Unit must be installed according to all manufacturers' instructions as per the manual.

All Local and National required codes must be met. The installer is responsible to ensure the unit is operating as designed at the time of installation.

The original purchaser is responsible for annual maintenance of the unit, as outlined in the owner's manual. As outlined below, the warranty may be voided due to problems caused by lack of maintenance.

Repair/replacement parts purchased by the consumer from Faber after the original coverage has expired on the unit will carry a 90-day warranty, valid with a receipt only. Any item shown to be defective will be repaired or replaced at our discretion. No labor coverage is included with these parts.

Exclusions:

This Limited Lifetime Warranty does not extend to paint, rust or corrosion of any kind due to a lack of maintenance or improper venting, combustion air provision, corrosive chemicals (i.e. chlorine, salt, air, etc.), door or glass gasketing.

Malfunction, damage or performance-based issues as a result of environmental conditions, location, chemical damages, downdrafts, installation error, installation by an unqualified installer, incorrect chimney components (including but not limited to cap size or type), operator error, abuse, misuse, use of improper fuels, lack of regular maintenance and upkeep, acts of God, weather-related problems from hurricanes, tornadoes, earthquakes, floods, lightning strikes/bolts or acts of terrorism or war, which result in malfunction of the appliance are not covered under the terms of this Limited Lifetime Warranty.

Faber has no obligation to enhance or modify any unit once manufactured (i.e. as products evolve, field modifications or upgrades will not be performed on existing appliances).

This warranty does not cover dealer travel costs for diagnostic or service work. All labor rates paid to authorized dealers are subsidized, predetermined rates. Dealers may charge homeowner for travel and additional time beyond their subsidy.

Any unit showing signs of neglect or misuse will not be covered under the terms of this warranty policy and may void this warranty. This includes units with rusted or corroded fireboxes which have not been reported as rusted or corroded within three (3) months of installation/purchase.

Units which show evidence of being operated while damaged, or with problems known to the purchaser and causing further damages will void this warranty.

Units where the serial no. has been altered, deleted, removed or made illegible will void this warranty.

Minor movement, expansion and contraction of the steel is normal and is not covered under the terms of this warranty.

Faber is not liable for the removal or replacement of facings or finishing in order to repair or replace any appliance in the field.

Freight damages for products or parts are not covered under the terms of the warranty.

Products made or provided by other manufacturers and used in conjunction with the Faber appliance without prior authorization from Faber may void this warranty.

Warranty

Limitations of Liability:

The original purchaser's exclusive remedy under this warranty, and Faber's sole obligation under this warranty, express or implied, in contract or in tort, shall be limited to replacement, repair, or refund, as outlined above.

IN NO EVENT WILL Faber BE LIABLE UNDER THIS WARRANTY FOR ANY INCIDENTAL OR CONSEQUENTIAL COMMERCIAL DAMAGES OR DAMAGES TO PROPERTY. TO THE EXTENT PERMITTED BY APPLICABLE LAW, Faber MAKES NO EXPRESS WARRANTIES OTHER THAN THE WARRANTY SPECIFIED HEREIN. THE DURATION OF ANY IMPLIED WARRANTY IS LIMITED TO DURATION OF THE EXPRESSED WARRANTY SPECIFIED ABOVE. IF IMPLIED WARRANTIES CANNOT BE DISCLAIMED, THEN SUCH WARRANTIES ARE LIMITED IN DURATION TO THE DURATION OF THIS WARRANTY.

Some U.S. states do not allow limitations on how long an implied warranty lasts, or allow exclusion or limitation of incidental or consequential damages, so the above limitations or exclusions may not apply to you.

Customers located outside the U.S. should consult their local, provincial or national legal codes for additional terms which may be applicable to this warranty.

How to Obtain Warranty Service:

Customers should contact the authorized selling dealer to obtain warranty service. In the event the authorized selling dealer is unable to provide warranty service, please contact Faber by mail at the address listed below. Please include a brief description of the problem and your address, email and telephone contact information. A representative will contact you to make arrangements for an inspection and/or warranty service.

North American Warrantor:

Glen Dimplex Americas

1367 Industrial Rd.
Cambridge (Ontario)
N3H 4W3, ON Canada

1-888-346-7539

Product Registration and Customer Support:

Thank you for choosing a Faber Fireplace. To provide the best support for your product, we request that you complete a product registration form within ninety (90) days of purchase.

GlenDimplex AMERICAS

Enhancing the moments that matter in life

BRANDS OF GLEN DIMPLEX AMERICAS

 **Dimplex**

www.dimplex.com



CADET 

www.cadetheat.com



 **faber**

www.faberfire.com



 **nectre**

www.nectreusa.com





FMG3326F FMG3326F-LP
FMG3726L FMG3726L-LP
FMG3726R FMG3726R-LP
FMG4126B FMG4126B-LP
FMG4326F FMG4326F-LP
FMG4726L FMG4726L-LP
FMG4726R FMG4726R-LP
FMG5126B FMG5126B-LP

Manuel d'installation et d'utilisation



AVERTISSEMENT : LE NON-RESPECT DES AVERTISSEMENTS DE SÉCURITÉ POURRAIT ENTRAÎNER DES BLESSURES GRAVES, LA MORT OU DES DOMMAGES MATÉRIELS.

Ne pas entreposer ni utiliser d'essence ni d'autres vapeurs ou liquides inflammables dans le voisinage de cet appareil ou de tout autres appareil.

QUE FAIRE SI VOUS SENTEZ UNE ODEUR DE GAZ

- Ne pas tenter d'allumer l'appareil.
- Ne touchez à aucun interrupteur. Ne pas vous servir des téléphones se trouvant dans le bâtiment où vous vous trouvez.
- Sortez immédiatement du bâtiment.
- Appelez immédiatement votre fournisseur de gaz depuis un voisin. Suivez les instructions du fournisseur.
- Si vous ne pouvez joindre le fournisseur de gaz, appelez le service d'incendies.

L'installation et l'entretien doivent être assurés par un installateur ou un service d'entretien qualifié; ou par le fournisseur de gaz.

DANGER



VITRE CHAUDE RISQUE DE BRÛLURES.

NE TOUCHEZ PAS UNE VITRE NON REFROIDIE.

NE LAISSEZ JAMAIS UN ENFANT TOUCHER LA VITRE

L'écran pare-étincelles fourni avec ce foyer réduit le risque de brûlure en cas de contact accidentel avec la vitre chaude et doit être installé pour la protection des enfants et des personnes à risques.

GAS-FIRED



Homologué selon :
CSA 2.17-2017
ANSI Z21.88-2019
CSA 2.33-2019

Installateur : Laissez cette notice avec l'appareil.

Consommateur : Conservez cette notice pour consultation ultérieure.

7216340100R02

Table des matières

CONSIGNES DE SÉCURITÉ	4
Informations sur le foyer	7
Homologation UL	7
Informations sur le foyer	8
Informations sur l'installation	8
Journal de l'entretien	9
Étiquette	10
Dimensions techniques FMG3326F/FMG3326F-LP	11
Dimensions techniques FMG3726L/FMG3726L-LP	12
Dimensions techniques FMG3726R/FMG3726R-LP	13
Dimensions techniques FMG4126B/FMG4126B-LP	14
Dimensions techniques FMG4326F/FMG4326F-LP	15
Dimensions techniques FMG4726L/FMG4726L-LP	16
Dimensions techniques FMG4726R/FMG4726R-LP	17
Dimensions techniques FMG5126B/FMG5126B-LP	18
Fonctionnement	19
Instructions de la télécommande	19
Piles de la télécommande et du récepteur	24
Jumelage de la télécommande avec le récepteur	24
Étapes d'installation	25
Préparation à l'installation	26
Déballage du foyer et contenu	26
Emplacement du foyer	27
Terminaison d'évent	28
Instructions	28
Taille de l'évent et du foyer	28
Dégagements combustibles minimaux de l'évent	29
Dégagements minimaux autour de l'évent	30
Installation de l'appareil avec terminaison horizontale	31
Installation de l'appareil avec terminaison verticale	33
Exigences minimales de ventilation - Gaz naturel	35
Installation et planification de l'enceinte	39
Dégagements	42
Spécifications des matériaux	42
Dégagements combustibles minimaux par rapport au tuyau de ventilation	43
Dégagements dans l'enceinte	44
Dégagements supplémentaires	45
Dégagement du manteau	46
Dégagement à un gicleur	46
Finition du devant du foyer	47

Table des matières

Évacuation de chaleur et prise d'air	48
Évacuation de chaleur	48
Prise d'air	48
Exemples d'évacuations de chaleur et de prises d'air	49
Informations sur le montage dessous téléviseur	50
Téléviseur encastré	51
Téléviseur encastré et foyer encastré	51
Foyer encastré	52
Aucun encastrement - avec manteau	52
Installation du gaz	53
Général	53
Soupape à gaz	54
Accès à la soupape à gaz et au récepteur électronique	54
Installation à haute altitude	55
Porte d'accès au robinet de gaz	55
Commonwealth de Massachusetts	56
Électricité et contrôle	57
Schéma de câblage	57
Source d'alimentation	57
Interrupteur mural - en option	58
Installation finale	59
Arrangement du lit de braises	59
Sceau des panneaux de vitre	64
Retrait de pièces	65
Retrait de l'écran de sécurité	65
Retrait de la vitre	66
Pièces de rechange	57
Entretien	68
Consignes d'entretien	68
Entretien annuel	69
Configuration de la flamme	70
Remplacement des bûches	71
Joint d'échantéité de la vitre	71
Vitre	71
Remplacement de la vitre	72
Entretien général de l'évent	72
Guide de dépannage	73
Garantie	75

CONSIGNES DE SÉCURITÉ

AVERTISSEMENT

- L'appareil est chaud lorsqu'il fonctionne. Risque de brûlures graves.
- Il est dangereux et défendu d'effectuer des changements ou des modifications à cet appareil.
- N'utilisez pas l'appareil avant d'avoir lu et compris les instructions de fonctionnement. Le fait de ne pas utiliser l'appareil conformément aux instructions d'utilisation peut provoquer un incendie ou des blessures.
- Risque d'incendie ou d'asphyxie. Ne pas faire fonctionner l'appareil avec la vitre fixe enlevée et ne jamais obstruer l'ouverture avant de l'appareil.
- Risque de brûlures. L'appareil doit être éteint et refroidi avant l'entretien.
- N'installez pas de composants endommagés, incomplets ou de substituts.
- Risque de coupures et d'abrasions. Porter des gants de protection, des chaussures de protection et des lunettes de sécurité lors de l'installation. Les bords de la tôle peuvent être tranchants.
- Ne pas brûler de bois ni d'autres matériaux dans ce foyer électrique.
- Cet appareil doit être correctement raccordé à un système d'évacuation, conformément aux instructions du fabricant.
- Une pression élevée endommagera la valve. Débrancher la tuyauterie d'alimentation en gaz avant de tester la conduite de gaz à des pressions de test supérieures à 1/2 psig. Fermer la vanne d'arrêt manuelle avant de tester la pression de la conduite de gaz à des pressions de test égales ou inférieures à 1/2 psig (35 mb).
- L'appareil ne doit pas être utilisé à des températures de gel (32 °F/0 °C).
- Les enfants et les adultes devraient être informés des dangers que posent les températures de surface élevées et se tenir à distance afin d'éviter des brûlures ou que leurs vêtements ne s'enflamment.
- On ne devrait pas placer de vêtements ni d'autres matières inflammables sur l'appareil ni à proximité.
- En raison des températures élevées, l'appareil devrait être installé dans un endroit où il y a peu de circulation et loin du mobilier et des tentures.
- Les meubles ou autres objets doivent être maintenus à au moins 3 pieds (0,92 m) de l'avant de l'appareil.
- Assurez-vous d'avoir incorporé des mesures de sécurité adéquates pour protéger les nourrissons et les tout-petits contre les surfaces chaudes.
- Même une fois l'appareil éteint, il restera chaud pendant une période prolongée.
- Vérifiez auprès de votre revendeur spécialisé dans les foyers pour les écrans de sécurité et les protecteurs pour protéger les enfants des surfaces chaudes.
- Tout écran ou protecteur retiré pour permettre l'entretien de l'appareil doit être remis en place avant de mettre l'appareil en marche.
- Garder les vêtements, les meubles, l'essence ou autres liquide produisant des vapeurs inflammables loin de l'appareil.
- Si l'appareil s'éteint, ne rallumez pas tant que vous n'avez pas fourni d'air frais. Si l'appareil continue de s'éteindre, faites-le réparer. Gardez le brûleur et le compartiment de commande propres.
- Cet appareil ne doit en aucun cas être modifié.
- Ne laissez pas le vent ou les ventilateurs souffler directement dans l'appareil. Évitez les courants d'air qui altèrent les motifs de la flamme du brûleur.
- Cet appareil ne doit pas être raccordé à un conduit de cheminée desservant un appareil à combustible solide séparé.
- N'utilisez pas cet appareil si une pièce a été sous l'eau. Appelez immédiatement un technicien d'entretien qualifié pour inspecter l'appareil et remplacer toute partie du système de commande et toute commande de gaz qui a été sous l'eau.
- Ne pas utiliser l'appareil si le panneau frontal en verre n'est pas en place ou si il est craqué ou brisé. Confiez le remplacement du panneau à un technicien agréé.
- Seules les façades en option certifiées avec l'appareil doivent être installées sur l'appareil.
- Gardez le matériel d'emballage hors de portée des enfants et jetez-le de manière sûre. Comme pour tous les sacs en plastique, ce ne sont pas des jouets et doivent être tenus à l'écart des enfants et des nourrissons.
- Le cas échéant, l'écran doit être en place (fermé) lorsque l'appareil est en marche.
- Si l'appareil est équipé de portes de décompression, elles doivent être fermées pendant le fonctionnement de l'appareil pour empêcher les gaz d'échappement

CONSIGNES DE SÉCURITÉ

AVERTISSEMENT

contenant du monoxyde de carbone de pénétrer dans la maison. Les températures de l'échappement s'échappant par ces ouvertures peuvent également provoquer une surchauffe des matériaux combustibles environnants et prendre feu.

- L'empoisonnement au monoxyde de carbone peut entraîner la mort ; les premiers signes d'intoxication au monoxyde de carbone ressemblent à la grippe, avec des maux de tête, des étourdissements et/ou des nausées. Si vous avez ces signes, l'appareil peut ne pas fonctionner correctement. Prenez de l'air frais immédiatement ! Faites réparer l'appareil. Quelques personnes ; les femmes enceintes, les personnes souffrant de maladies cardiaques ou pulmonaires, l'anémie, les personnes sous l'influence de l'alcool, les personnes à haute altitude sont plus affectées par le monoxyde de carbone que les autres. Le fait de ne pas nettoyer les ouvertures d'air primaire du ou des brûleur(s) peut entraîner de la suie et des dommages matériels.
- Comme pour tout appareil à combustion, nous vous recommandons de faire inspecter et entretenir régulièrement votre appareil ainsi que d'installer un détecteur de monoxyde de carbone dans la même zone pour vous défendre, ainsi que votre famille,

contre le monoxyde de carbone (ne s'applique pas aux appareils d'extérieur).

- Assurez-vous que les dégagements aux combustibles sont maintenus lorsque vous construisez un manteau ou des étagères au-dessus de l'appareil. Des températures élevées sur le mur ou dans l'air au-dessus de l'appareil peuvent provoquer la fonte, la décoloration ou endommager les décorations, un téléviseur ou d'autres composants électroniques.
- Pour les appareils équipés d'une barrière de sécurité ; si la barrière est endommagée, la barrière doit être remplacée par la barrière du fabricant pour cet appareil.
- L'installation et la réparation devraient être confiées à un technicien qualifié. L'appareil et le système de ventilation devraient faire l'objet d'une inspection par un technicien avant d'être utilisés et au moins une fois l'an par la suite. Des nettoyages plus fréquents peuvent être nécessaires si les tapis, la literie, et cetera produisent une quantité importante de poussière. Il est essentiel que les compartiments abritant les commandes, les brûleurs et les conduits de circulation d'air de l'appareil soient tenus propres.

AVERTISSEMENT

Cet appareil doit être câblé électriquement et mis à la terre conformément aux codes locaux ou, en l'absence de codes locaux, au National Electric Code ANSI / NFPA 70 dernière édition ou au Canadian Electric Code CSA C22.1.

AVERTISSEMENT

Ne jamais laisser les enfants ou autres personnes à risque seul avec l'appareil.

AVERTISSEMENT

Le fait de ne pas installer correctement cet appareil annulera votre garantie et peut provoquer un incendie.

AVERTISSEMENT

Cet appareil peut être installé comme du matériel d'origine dans une maison préfabriquée (É.-U. seulement) ou mobile et doit être installé selon les instructions du fabricant et conformément à la norme Manufacturer's instructions and the Manufactured Home Construction and Safety Standard, Title 24 CFR, Part 3280 aux États-Unis ou à la norme CAN/CSA Z240 Série MM au Canada.

Cet appareil doit être utilisé uniquement avec les types de gaz indiqués sur la plaque signalétique.

Ce produit est homologué selon les normes ANSI pour ANSI Z21.88/CSA 2.33-2019 - Foyer au gaz à évacuation CSA 2.17-2017 Foyer au gaz pour une utilisation à haute altitude - quatrième édition.

AVERTISSEMENT

DANGER D'EMPOISONNEMENT AU MONOXYDE DE CARBONE

Le non-respect des étapes décrites ci-dessous pour chaque appareil connecté au système de ventilation mis en service peut entraîner une intoxication au monoxyde de carbone ou la mort. Les étapes suivantes doivent être suivies pour chaque appareil connecté au système de ventilation mis en service, tandis que tous les autres appareils connectés au système de ventilation ne fonctionnent pas:

1. Scellez toutes les ouvertures inutilisées du système de ventilation.
2. Inspectez le système de ventilation pour la bonne taille et le pas horizontal, comme requis dans le National Fuel Gas Code, ANSI Z223.1 / NFPA 54 ou le National Gas and Propane Installation Code, CSA B149.1 et ces instructions. Déterminez qu'il n'y a pas de blocage ou de restriction, de fuite, de corrosion et d'autres défauts qui pourraient provoquer une condition dangereuse.
3. Dans la mesure du possible, fermez toutes les portes et fenêtres du bâtiment et toutes les portes entre l'espace dans lequel se trouvent les appareils connectés au système de ventilation et les autres espaces du bâtiment.
4. Fermez les registres du foyer.
5. Allumez les sèche-linge et tout appareil non connecté au système de ventilation. Allumez tous les ventilateurs d'extraction, tels que les hottes de cuisinière et les échappements de salle de bain, afin qu'ils fonctionnent à vitesse maximale. N'utilisez pas de ventilateur d'extraction d'été.
6. Suivez les instructions d'éclairage. Mettre en service l'appareil à inspecter. Réglez le thermostat pour que l'appareil fonctionne en continu.
7. Tester le déversement des appareils équipés de la hotte aspirante à l'ouverture de décharge de la hotte aspirante après 5 minutes de fonctionnement du brûleur principal. Utilisez la flamme d'une allumette ou d'une bougie.
8. Si une ventilation incorrecte est observée pendant l'un des tests ci-dessus, le système de ventilation doit être corrigé conformément au National Fuel Gas Code, ANSI 2223.1 / NFPA et / ou au Code d'installation du gaz naturel et du propane, CSA B149.1.
9. Une fois qu'il a été déterminé que chaque appareil connecté au système de ventilation s'évacue correctement lors des tests décrits ci-dessus, ramène les portes, les fenêtres, les ventilateurs d'extraction, les registres de cheminée et tout autre appareil à gaz à leurs conditions d'utilisation précédentes.

AVERTISSEMENT

En raison des températures élevées, l'appareil devrait être installé dans un endroit où il y a peu de circulation et loin du mobilier et des tentures.»

Les enfants et les adultes devraient être informés des dangers que posent les températures de surface élevées et se tenir à distance afin d'éviter des brûlures ou que leurs vêtements ne s'enflamment.

AVERTISSEMENT

Cet appareil doit être câblé électriquement et mis à la terre conformément aux codes locaux ou, en l'absence de codes locaux, au National Electric Code ANSI / NFPA 70 dernière édition ou au Canadian Electric Code CSA C22.1. Un circuit 110-120 V CA pour ce produit doit être protégé par une protection contre les interrupteurs de fuite à la terre, conformément aux codes électriques applicables, lorsqu'il est installé dans des endroits tels que des salles de bains ou à proximité d'éviers.

AVERTISSEMENT

Les jeunes enfants devraient être surveillés attentivement lorsqu'ils se trouvent dans la même pièce que l'appareil. Les tout-petits, les jeunes enfants et autres peuvent être sujets aux brûlures par contact accidentel. Une barrière physique est recommandée s'il y a des personnes à risque dans la maison. Pour restreindre l'accès à un appareil ou à une cuisinière, installer une barrière de sécurité réglable pour garder les tout-petits, les jeunes enfants et les autres personnes à risque hors de la pièce et à l'écart des surfaces chaudes.



Faber exige que l'installation soit effectuée par un installateur certifié NFI ou un installateur Faber certifié. Les installations qui ne suivent pas ces instructions ne seront pas couvertes par la garantie ni réparées.

Nous vous recommandons de retirer la vitre à l'aide des ventouses fournies. Abaissez la vitre pour la ranger dans un endroit sûr, afin d'éviter d'endommager les bords du verre. Des précautions supplémentaires doivent être prises lors du retrait / de l'installation de la vitre. La rupture ou l'endommagement du bord de la vitre résultant d'une manipulation imprudente ne seront pas couverts par la garantie.

Informations sur le foyer



Avec 175 ans de savoir-faire, d'innovations, d'une vision visionnaire et de notre passion, nous sommes devenus l'expert des feux. Faber est responsable des inventions qui sont devenues la norme dans le monde entier, et elles sont notre fierté et notre passion!!

Les fabricants de feu de Faber développent les plus beaux feux ambiants. Cependant, cette passion va au-delà du feu, son effet conjonctif et apaisant est tout aussi important pour nous. Nous voulons que vous profitiez de l'atmosphère et du confort avec vos amis et votre famille.

Ce manuel doit être utilisé pour les modèles de foyers Faber suivants:

FMG3326F	FMG3326F-LP	FMG4326F	FMG4326F-LP
FMG3726L	FMG3726L-LP	FMG4726L	FMG4726L-LP
FMG3726R	FMG3726R-LP	FMG4726R	FMG4726R-LP
FMG4126B	FMG4126B-LP	FMG5126B	FMG5126B-LP

- Tous les modèles partagent le même système de soupape à gaz, télécommande, connexion de gaz et type de verre, simplifiant l'installation et le fonctionnement.
- Tous les avertissements et les instructions s'appliquent à tous les modèles.
- Reportez-vous au nom du modèle pour des informations spécifiques sur le modèle, le dégagement et l'installation.
- Les foyers Faber ne doivent être connectés qu'au système de ventilation 5x8 M&G DuraVent ou ICC. Reportez-vous au modèle et à la taille de l'appareil spécifique pour déterminer la taille de l'évent et les exigences de cheminement de la cheminée.
- Ce produit est répertorié selon les normes ANSI pour les «Poêles-foyers à gaz ventilés» et les sections applicables des «Appareils de chauffage à gaz pour maisons préfabriquées et véhicules récréatifs» et «Appareils à gaz pour utilisation à haute altitude».

Homologation UL



Tous nos foyers sont testés et certifiés conformes aux directives strictes de la CSA, garantissant une qualité, une sécurité et une efficacité optimales.

Information sur l'homologation :

ANSI Z21.88/CSA 2.33-2019 - Foyers au gaz à évacuation

CSA2.17-2017 - Appareils au gaz pour utilisation à haute altitude



INSTALLATEUR: Laissez cette notice avec l'appareil.

CONSOMMATEUR: Conservez cette notice pour consultation ultérieure.

Informations sur l'installation

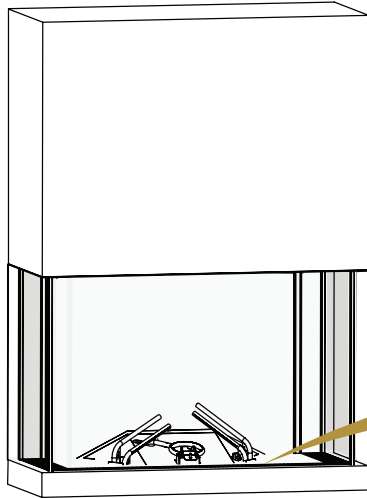
IMPORTANT : L'installation suivante doit être effectuée par l'installateur qualifié et laissée au propriétaire de la propriété. Le modèle et le numéro de série de l'appareil se trouvent sur l'étiquette apposée sur le foyer.

Information sur l'appareil	
Numéro de modèle	
Numéro de série	
Informations du propriétaire	
Nom	
Adresse	
Information du technicien	
Nom	
Compagnie	
n° NPI du technicien	
Notes	

Informations sur le foyer

Journal d'entretien

Date	Notes



La garniture inférieure extérieure et l'écran doivent être retirés pour accéder à l'étiquette, qui est attachée à l'aide d'une chaîne et située dans une fente sous la grille inférieure dédiée à son emplacement indiqué ci-dessus.

faber

GLEN DIMPLEX AMERICAS
1367 INDUSTRIAL ROAD
CAMBRIDGE, ON, N3H 4W3 CANADA

SERIAL NUMBER:
NUMÉRO DE SÉRIE:

DO NOT REMOVE THIS LABEL / NE PAS ENLEVER CETTE ÉTIQUETTE

VENTED GAS FIREPLACE HEATER / FOYER AU GAZ À ÉVACUATION

CAT. NO:
N°. DE CAT.:

PROPANE GAS / GAZ PROPANE

GAS-FIRED
UL
LISTED

Certified to / Homologué:
ANSI Z21.88-2019 • CSA 2.33-2019,
CSA 2.17-2017
MH63634

MINIMUM SUPPLY PRESSURE / PRESSION D'ALIMENTATION MINIMALE: 11" WC/C.E. (2.74 kPa)
MANIFOLD PRESSURE - HIGH / PRESSION DE SORTIE - HAUTE : 10" WC/C.E. (2.49 kPa)
MANIFOLD PRESSURE - LOW / PRESSION DE SORTIE - BASSE : 8" WC/C.E. (1.99 kPa)

ORIFICE SIZE / TAILLE DE L'ORIFICE
CENTER BURNER / BRÛLEUR CENTRAL : #61 DMS
FRONT RIGHT AND LEFT BURNER /
BRÛLEUR AVANT DROIT ET GAUCHE : #66 DMS
BACK RIGHT AND LEFT BURNER /
BRÛLEUR ARRI RE DROIT ET GAUCHE : #64 DMS
MAXIMUM INPUT / DÉBIT CALORIFIQUE MAXIMAL :
42,500 Btu/h (12.45 kW)
MINIMUM INPUT / DÉBIT CALORIFIQUE MINIMAL :
28,000 Btu/h (8.21 kW)

ALTITUDE / ALTITUDE : 0 - 4,500 pi (0-1372 m)
120 V~, 60 Hz, less than / moins de 12 A

MINIMUM CLEARANCE TO NON-COMBUSTIBLES / DÉGAGEMENTS
MINIMUMAUX PAR RAPPORT AUX NON-COMBUSTIBLES

SIDES/ CÔTÉS 1/2" (1.2 cm)
BACK / ARRIÈRE 2" (5.1 cm)

MINIMUM CLEARANCES TO COMBUSTIBLES / DÉGAGEMENTS
MINIMUMAUX PAR RAPPORT AUX COMBUSTIBLES

IN FRONT OF GLASS / DEVANT LA VITRE 36" (91.4 cm)

Follow installation instructions.
Suivre les instructions d'installation.

This appliance must be installed in accordance with local codes if any; if none, follow the National Fuel Gas Code, ANSI Z223.1/NFPA 54, or Natural Gas and Propane Installation Codes, CSA B149.1. This appliance must be installed in accordance with the Standard CAN/CSA Z240 MH, Mobile Housing, in Canada, or with the Manufactured Home Construction and Safety Standard, Title 24 CFR, Part 3280, in the United States, or when such a standard is not applicable, ANSI/NCSCBS A225.1/NFPA 501A, Manufactured Home Installations Standard. This appliance is only for use with the type of gas indicated on the rating plate and may be installed in an aftermarket, permanently located, manufactured home (USA only) or mobile home, where not prohibited by local codes. See owner's manual for details. This appliance is not convertible for use with other gases, unless a certified kit is used.

Vented gas fireplace heater - Not to use with solid fuel.
This vented gas fireplace heater is not to be used with air filters.

CAUTION: Do not operate the appliance with glass removed or broken. Replacement of the panel(s) should be done by a licensed or qualified service person. Make sure glass is properly sealed. Follow installation instructions.
For use only with barrier(s) Part No.(s) 0442980300 - FMG3326F-LP, 0442980200 & 0442980400 - FMG3726L-LP/R-LP, 0442980100 & 0442980200 (x2) -FMG4126B-LP. Follow the user guide.

Cet appareil doit être installé conformément aux codes et règlements locaux, ou, en l'absence de tels règlements, selon ANSI Z223.1/NFPA 54, *National Fuel Gas Code* ou CSA B149.1, Code d'installation du gaz naturel et du propane. Cet appareil doit être installé selon la norme CAN/CSA Z240 Série MM, Maisons mobiles, au Canada ou Title 24 CFR, Part 3280, *Manufactured Home Construction and Safety Standard*, aux États-Unis et là où cette norme ne s'applique pas, selon ANSI/NCSCBS A225.1/NFPA 501A, *Manufactured Home Installations Standard*. Cet appareil doit être utilisé uniquement avec le type de gaz indiqué sur la plaque signalétique et peut être installé dans une maison préfabriquée située en permanence (É. - U. seulement) ou dans une maison mobile si les codes locaux le permettent. Consulter le manuel d'installation pour plus de détails. Cet appareil n'est pas convertible pour l'utilisation avec d'autres gaz, sauf au moyen d'une trousse de conversion certifiée.

Foyer au gaz à évacuation. Ne pas utiliser avec un combustible solide.
Ne pas utiliser de filtre à air avec ce foyer au gaz à évacuation.

AVERTISSEMENT : Ne pas utiliser l'appareil si la vitre n'est pas en place, ou si elle est craquée ou brisée. Confier le remplacement de la/les vitre(s) à un technicien agréé. S'assurer que la vitre est scellée correctement. Suivre les instructions d'installation.
Utiliser uniquement avec l'écran n° 0442980300 - FMG3326F-LP, 0442980200 & 0442980400 - FMG3726L-LP/R-LP, 0442980100 & 0442980200 (x2) -FMG4126B-LP. Suivre les instructions d'installation.

CANADIAN ENERGY
PERFORMANCE CERTIFIED
RENDMENT
ÉNERGÉTIQUE CERTIFIÉ

CSA P.4.1 Fireplace Efficiency (FE) /
Efficacité énergétique des foyers (EEF)
CSA P.4.1: Propane Gas /
Gaz propane: 62.4%

MADE IN CANADA /
FABRIQUÉ AU CANADA

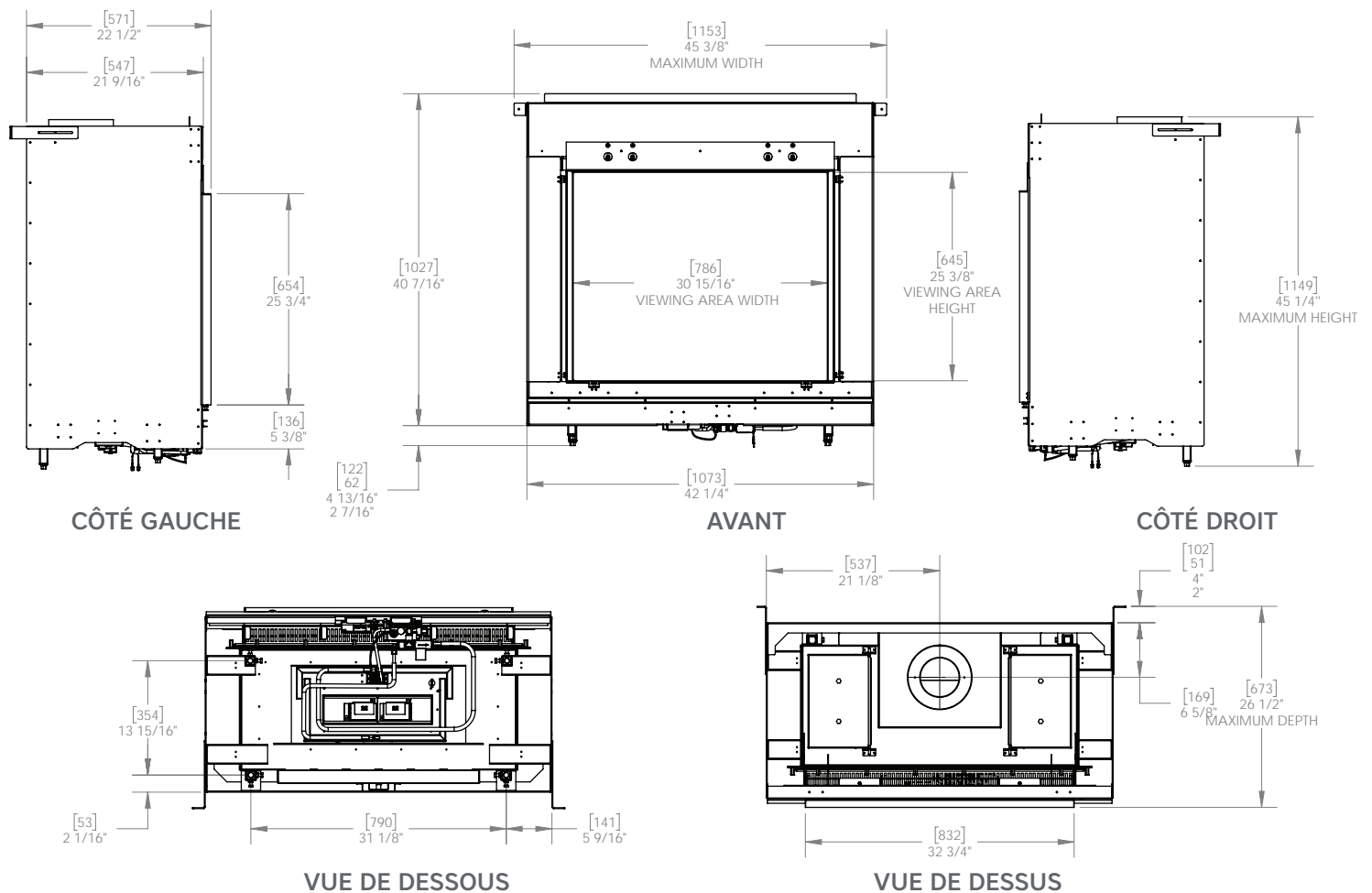
*Échantillon non destiné à la consultation des renseignements du produit

Informations sur le foyer

Dimensions techniques



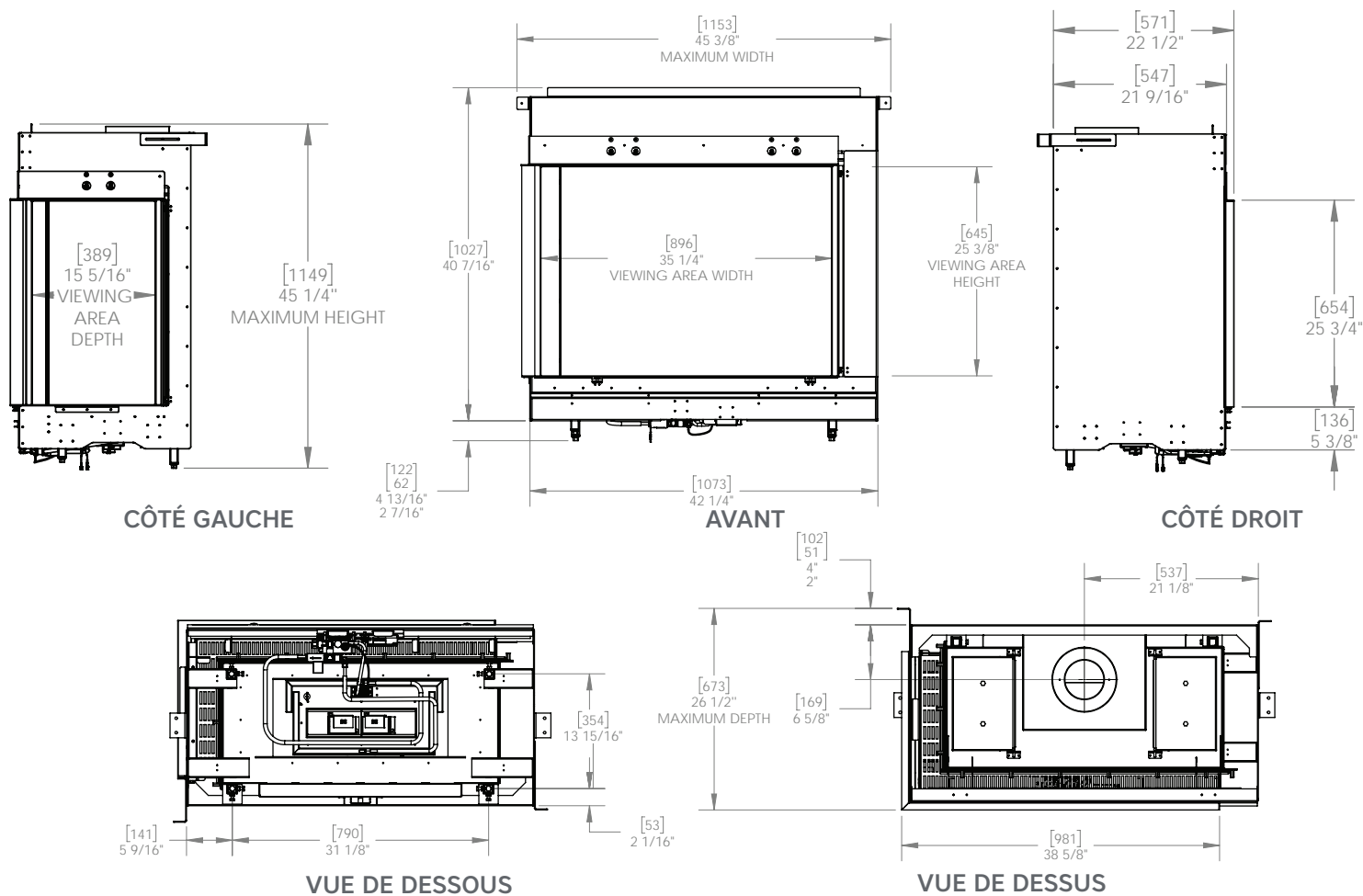
FMG3326F/FMG3326F-LP - Foyer au gaz à configuration de face



Dimensions techniques



FMG3726L/FMG3726L-LP - Foyer au gaz à configuration gauche

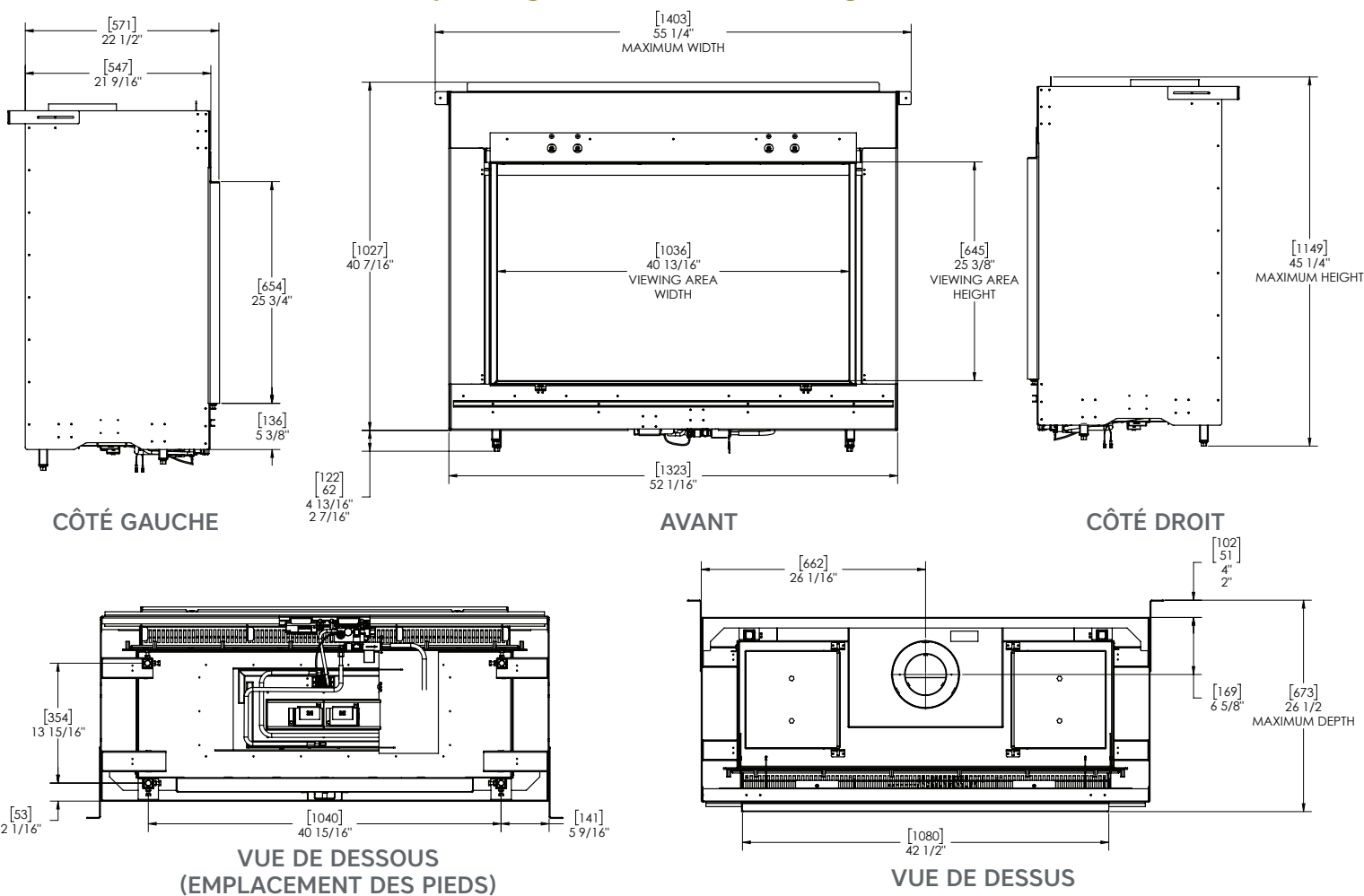


Informations sur le foyer

Dimensions techniques



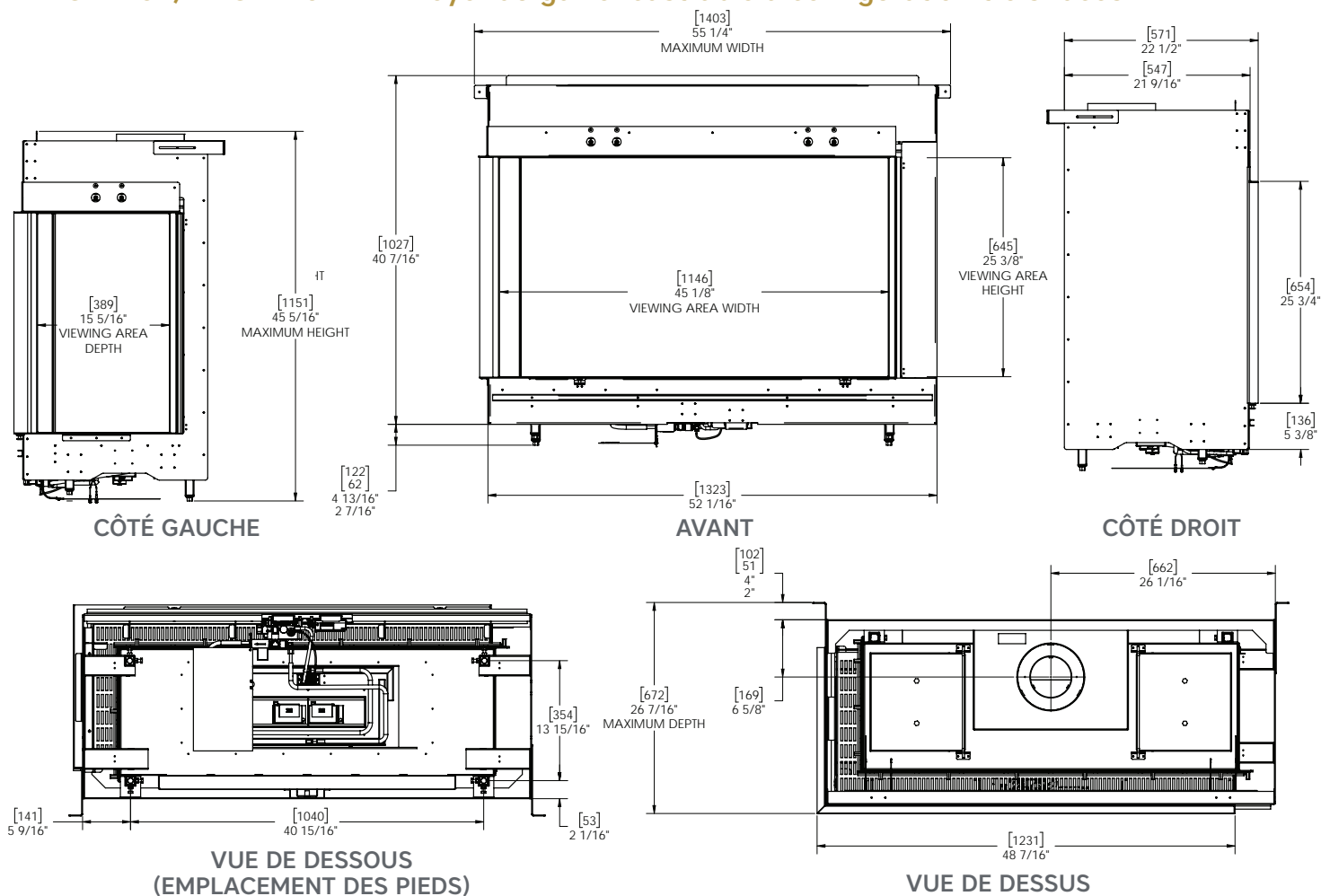
FMG3726R/FMG3726R-LP - Foyer au gaz encastrable à configuration droite



Dimensions techniques



FMG4126B/FMG4126B-LP - Foyer au gaz encastrable à configuration trois faces

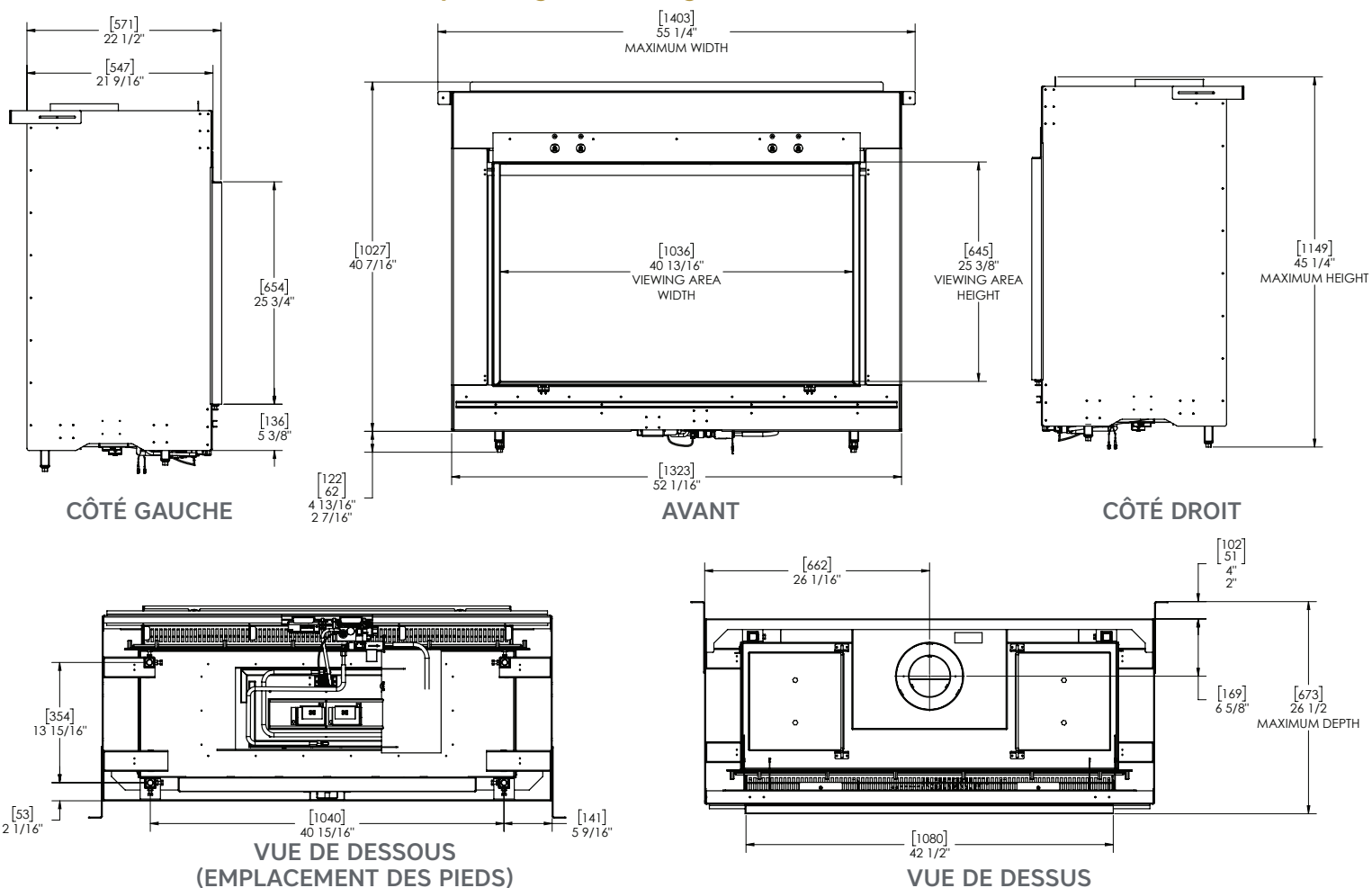


Informations sur le foyer

Dimensions techniques



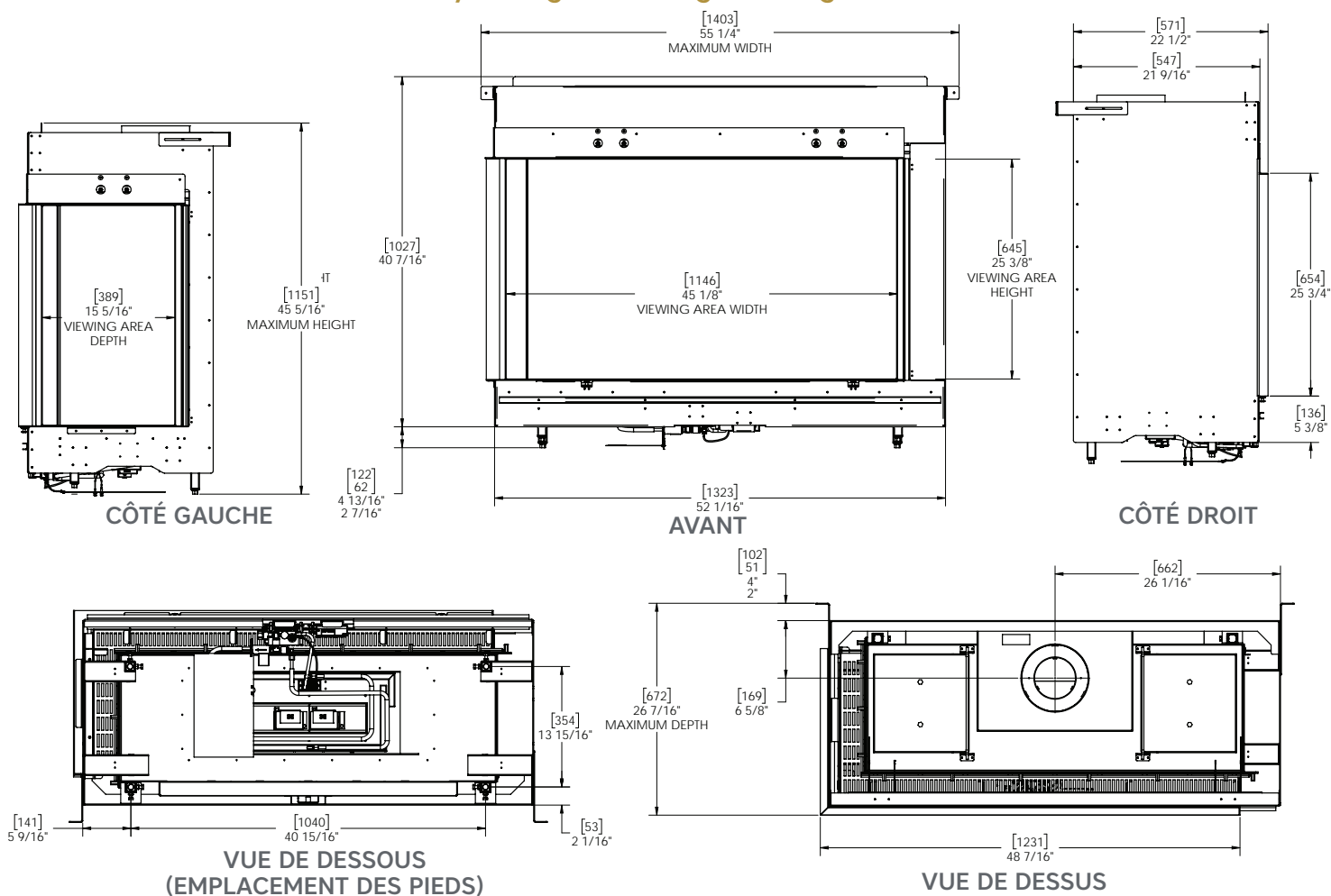
FMG4326F/FMG4326F-LP - Foyer au gaz à configuration de face



Dimensions techniques



FMG4726L/FMG4726L-LP - Foyer au gaz à configuration gauche

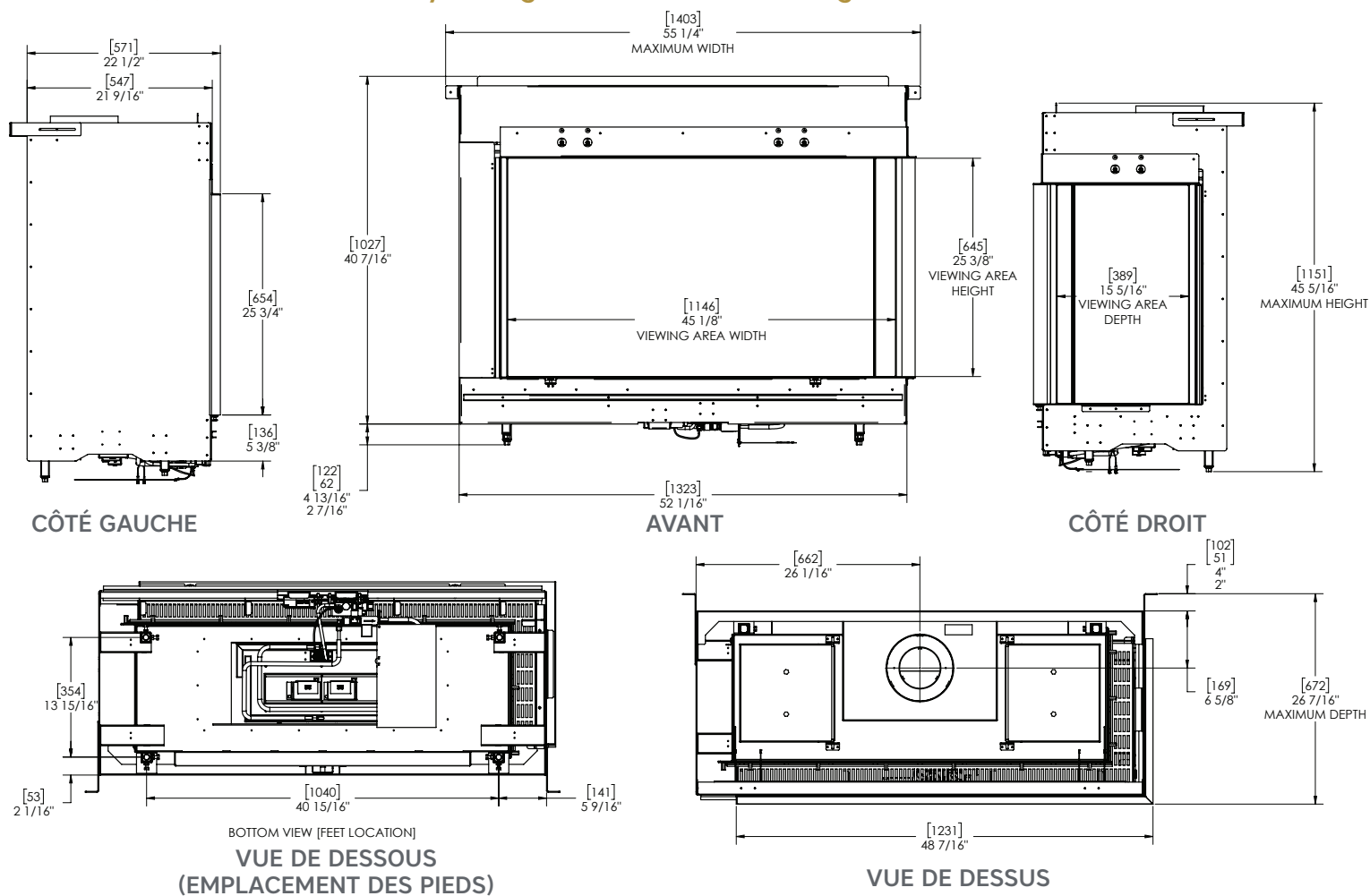


Informations sur le foyer

Dimensions techniques



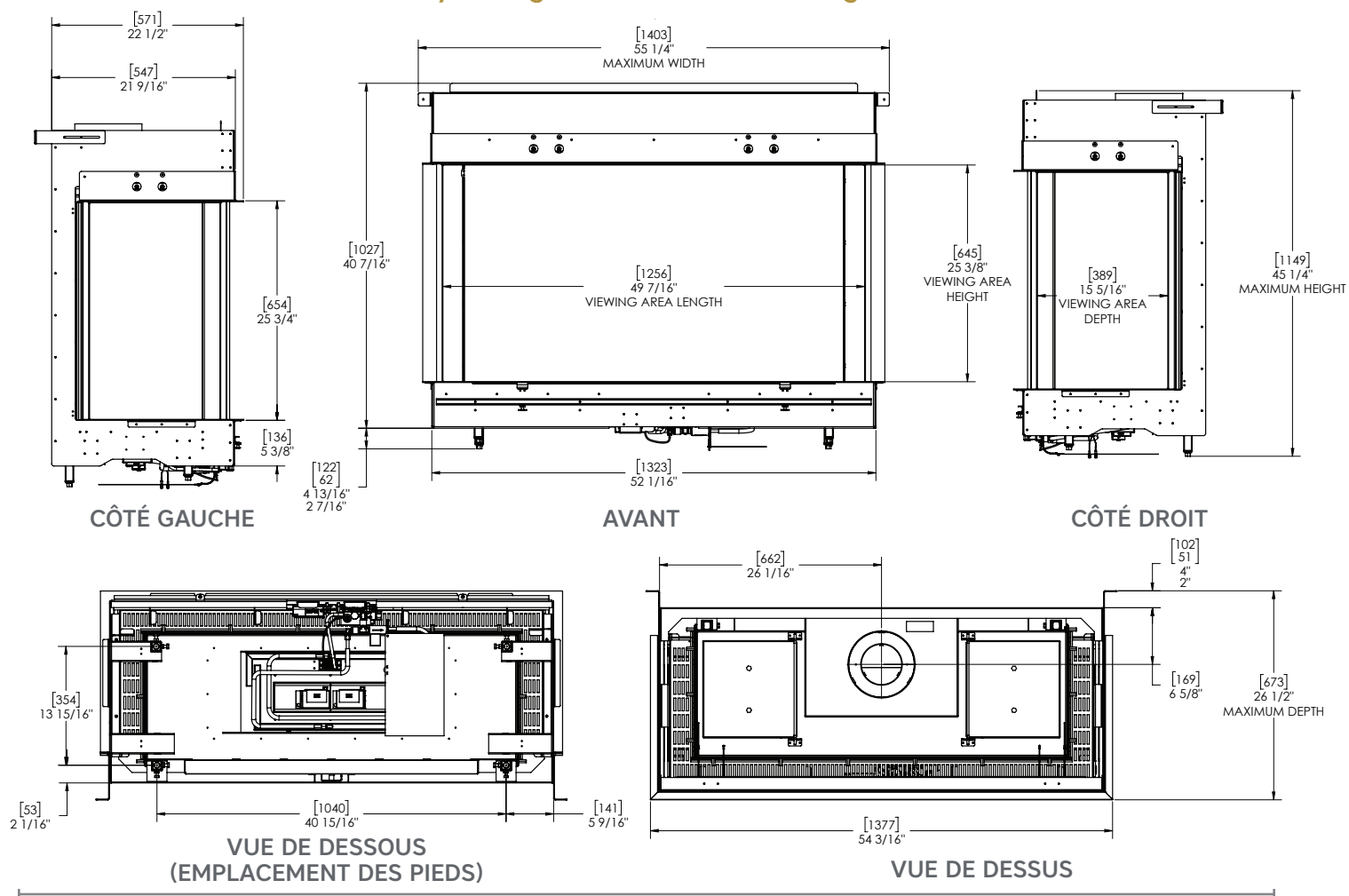
FMG4726R/FMG4726R-LP - Foyer au gaz encastrable à configuration droite



Dimensions techniques

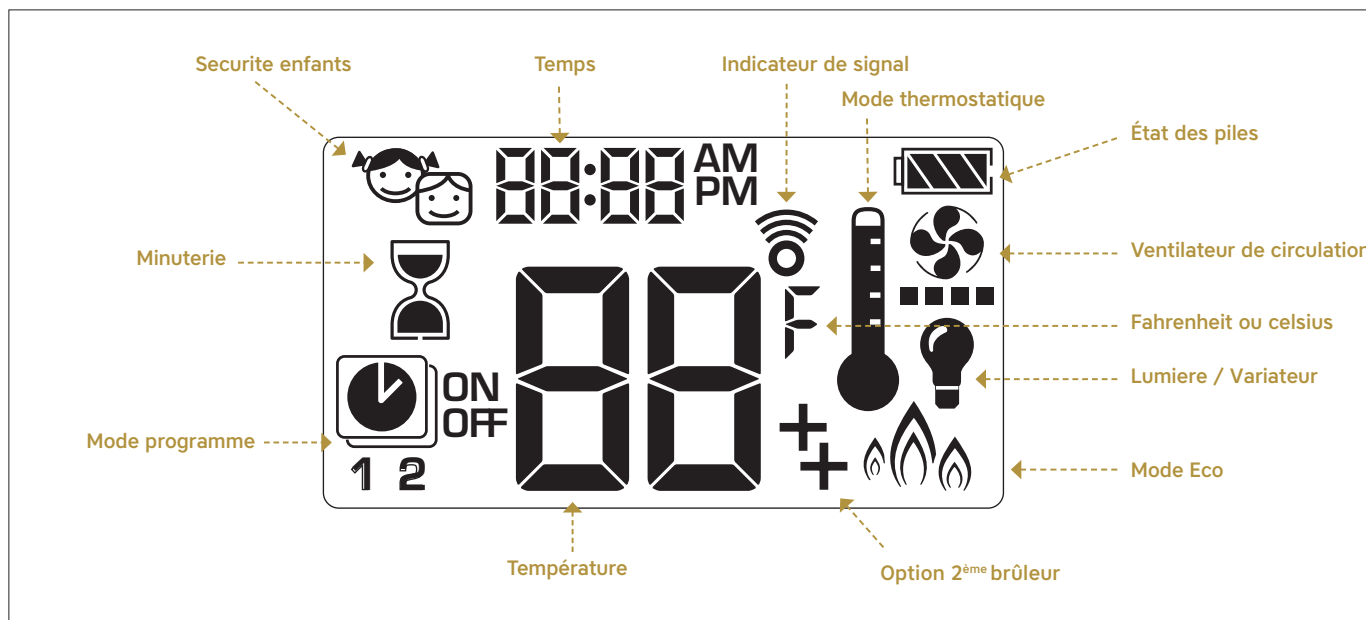


FMG5126B/FMG5126B-LP - Foyer au gaz encastrable à configuration trois faces

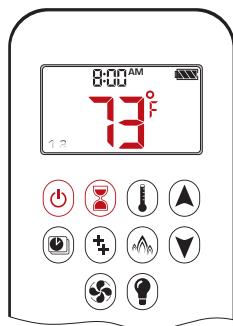


Fonctionnement

Instructions de la télécommande



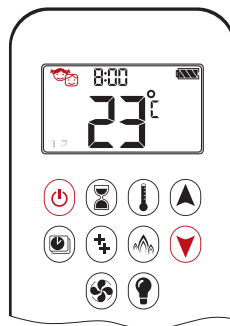
RÉGLAGE EN MODE FAHRENHEIT OU CELSIUS



- Pour passer en mode °C ou °F, presser simultanément les boutons et .

NOTE: L'affichage des résultats en °F donne un mode 12 heures. L'affichage des résultats en °C donne un mode 24 heures.

SECURITÉ ENFANTS



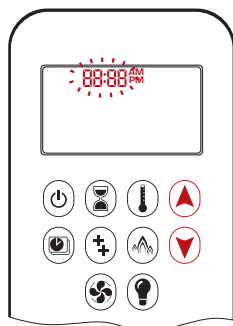
MARCHE:

- Pour activer, presser simultanément les boutons et .
- s'affiche et la télécommande devient inopérante (sauf pour la fonction **ARRÊT**).

ARRÊT:

- Pour désactiver, presser simultanément les boutons et .
- disparaît.

RÉGLAGE DE L'HEURE




1. Presser simultanément les boutons et . **Jour** clignote.
2. Presser le bouton ou pour sélectionner un nombre correspondant au jour de la semaine (p. ex. 1 = lundi, 2 = mardi, 3 = mercredi, 4 = jeudi, 5 = vendredi, 6 = samedi, 7 = manche).
3. Presser simultanément les boutons et . **Heure** clignote.
4. Pour sélectionner l'heure, presser le bouton ou .
5. Presser simultanément les boutons et . **Minutes** clignote.
6. Pour sélectionner minutes, presser le bouton ou .
7. Pour confirmer, presser simultanément les boutons et ou attendre.

MODE MANUEL (TÉLÉCOMMANDE)

INDICATION

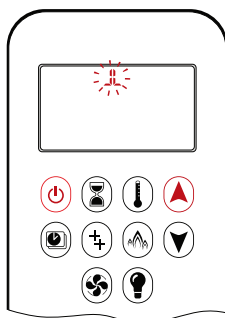
AVANT FONCTIONNEMENT




1. Veiller à ce que le bouton MANUEL situé sur la vanne GV60 soit sur **ON (MARCHE)**, entièrement en position antihoraire .
2. Mettre le bouton **MARCHE / ARRÊT** (si équipé) en position **I (MARCHE)**.

ALLUMAGE

⚠ AVERTISSEMENT

Le moteur se met automatiquement à la hauteur de flamme maximum lorsque la mise en route veilleuse est confirmée.



- Presser le bouton  (Allumage avec un bouton) ou le boutons  et  (Allumage avec deux boutons) jusqu'à ce que deux bip courts (version CE) ou un bip continu (version CSA) et une série de lignes clignotantes confirment que la séquence de début a commencé; relâcher le bouton(s).
- Le gaz principal s'échappe une fois que la mise en route pilote est confirmée.
- La télécommande passe automatiquement en Mode Manuel après la mise en route du brûleur principal.

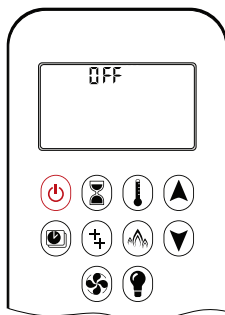
Si la veilleuse ne reste pas allumée après plusieurs tentatives, tourner le bouton de la vanne principale sur OFF (ARRÊT) et suivre les instructions de la section « ARRÊTER L'ALIMENTATION DE GAZ VERS L'APPAREIL ».

MODE VEILLE (FLAMME PILOTE)

Télécommande

- Presser et maintenir le bouton  pour régler l'appareil sur la flamme pilote.

ÉTEINDRE LE FEU

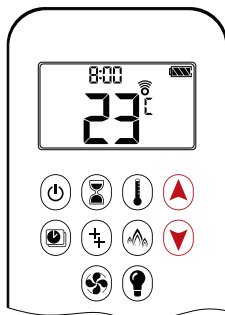


Télécommande

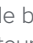

- Presser le bouton  pour éteindre.

NOTE : Un nouvel allumage est possible après l'icône OFF cesse de clignoter.

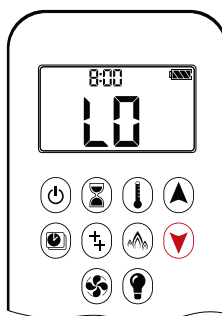
AJUSTEMENT DE LA HAUTEUR DE FLAMME




Télécommande

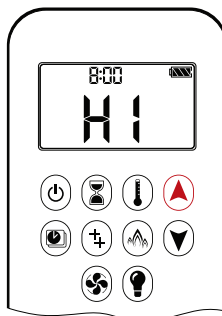
- Pour augmenter la hauteur de la flamme, presser et maintenir le bouton .
- Pour diminuer la hauteur de la flamme ou régler l'appareil sur la flamme pilote, presser et maintenir le bouton .

FEU DE FAIBLE INTENSITÉ ET DE FORTE INTENSITÉ DESINE



- Pour passer à un feu de faible intensité, double-cliquer sur le bouton .
- **LO** is displayed.

NOTE : La flamme passe d'abord en forte intensité avant de passer en faible intensité.

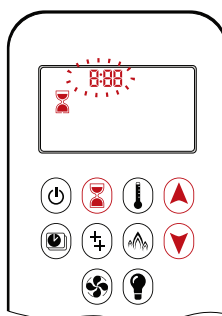


- Pour passer en forte intensité, double-cliquer sur le bouton .
- **HI** s'affiche.


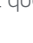

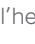

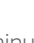


⚠ AVERTISSEMENT

Si l'installation ne fonctionne pas, suivre les instructions de la rubrique « ARRÊTER L'ALIMENTATION EN GAZ VERS L'APPAREIL ».

MINUTERIE



MARCHE / RÉGLAGE :

1. Presser et maintenir le bouton  jusqu'à ce que  s'affiche, et que **heure** clignote.
2. Pour sélectionner l'heure, presser le bouton  ou .
3. Pour confirmer, presser le bouton .
4. Pour sélectionner les minutes, presser le bouton  ou .
5. Pour confirmer, presser le bouton  ou attendre.

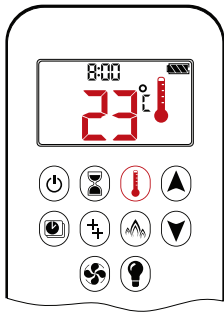
ARRÊT :

- Presser le bouton .
-  et la minuterie disparaissent.

NOTE : Le feu s'éteint une fois le décompte de la minuterie terminé. La minuterie fonctionne uniquement en Modes Manuel, Thermostatique et Eco. La minuterie a une durée maximale de 9 heures et 50 minutes.

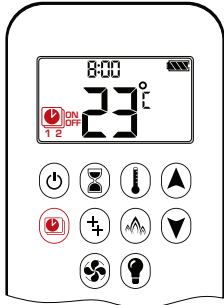
Fonctionnement

MODES D'OPERATION



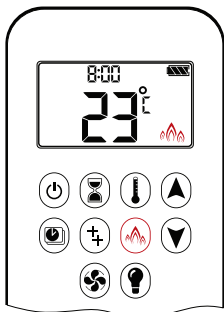
Mode Thermostatique

La température ambiante est mesurée et comparée à la température réglée. La hauteur de la flamme est ensuite automatiquement réglée pour qu'elle atteigne la température réglée.



Mode Programme

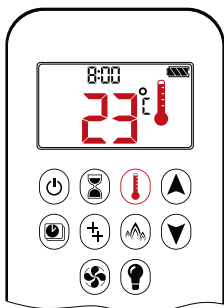
PROGRAMMES 1 et 2: chaque PROGRAMME peut être programmé pour démarrer et s'ARRÊTER à des moments précis et à une température réglée.



Mode Eco

La hauteur de la flamme module entre forte intensité et faible intensité. Si la température ambiante est inférieure à la température réglée, la hauteur de flamme reste plus longtemps à un niveau élevé. Si la température ambiante est supérieure à la température réglée, la hauteur de la flamme reste plus longtemps à un faible niveau. Un seul cycle dure environ 20 min.

MODE THERMOSTATIQUE



MARCHE :

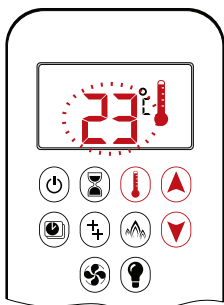
- Presser le bouton . s'affiche.
- Prérégler la température affichée brièvement. La température ambiante s'affiche.

ARRÊT :

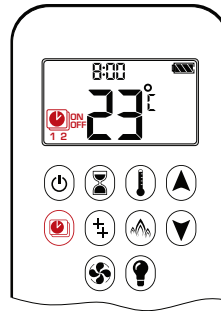
- Presser le bouton .
- Presser le bouton ou pour saisir le Mode Manuel.
- Presser le bouton pour saisir le Mode Programme.
- Presser le bouton pour saisir le Mode Eco.

RÉGLAGE :

- Presser et maintenir le bouton jusqu'à ce que s'affiche. La température clignote.
- Pour ajuster la température, presser le bouton ou .
- Pour confirmer, presser le bouton ou attendre.

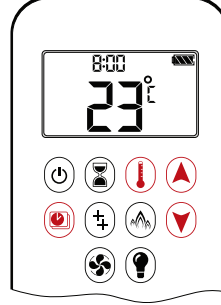


MODE PROGRAMME



MARCHE :

- Presser le bouton .
- 1 ou 2, ON ou OFF s'affiche.



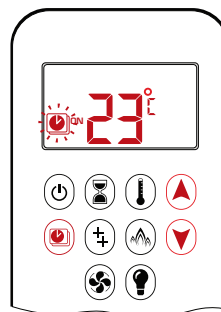
ARRÊT :

- Presser le bouton .
- Presser le bouton ou pour saisir le Mode Manuel.
- Presser le bouton pour saisir le Mode Thermostatique.
- Presser le bouton pour saisir le Mode Eco.

NOTE : La température réglée en Mode Thermostatique correspond à la température en heure de **MARCHE** du Mode Programme. Le changement de température réglée en Mode Thermostatique change également la température d'heure de **MARCHE** du Mode Programme.

Réglages par défaut :

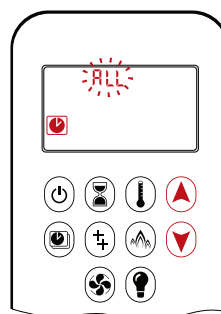
HEURE DE **MARCHE** TEMPÉRATURE (Thermostatique): 70 °F / 21 °C
TEMPÉRATURE HEURE D'**ARRÊT**: " -- " (flamme pilote seulement)



RÉGLAGE DE LA TEMPERATURE :

- Presser et maintenir le bouton jusqu'à ce que clignote. ON et ajuste la température (réglage en Mode Thermostatique) s'affiche.
- Pour continuer, presser le bouton ou attendre. , OFF s'affiche et la température clignote.
- Sélectionner la température en **ARRÊT** en pressant le bouton ou .
- Pour confirmer, presser le bouton .

NOTE : Les températures réglées en **MARCHE** (Thermostatique) et en **ARRÊT** sont les mêmes chaque jour.

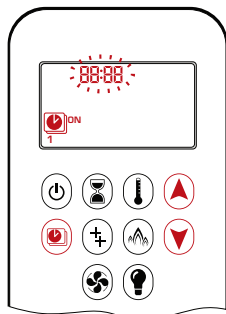


RÉGLAGE JOUR :

- ALL clignote. Presser le bouton ou pour choisir entre ALL, SA-SU, 1, 2, 3, 4, 5, 6, 7.
- Pour confirmer, presser le bouton .

PROGRAM MODE

RLL sélectionné



RÉGLAGE HEURE MARCHÉ (PROGRAMME 1) :

7. **1, ON** s'affiche, **RLL** s'affiche brièvement, et **heure** clignote.
8. Pour sélectionner l'heure, presser le bouton ou .
9. Pour confirmer, presser le bouton , **1, ON** s'affiche brièvement, et **minutes** clignotent.
10. Pour sélectionner les minutes, presser le bouton ou .
11. Pour confirmer, presser le bouton .

RÉGLAGE HEURE ARRÊT (PROGRAMME 1) :

12. , **1, OFF** s'affiche, **RLL** s'affiche brièvement, et **heure** clignote.
13. Pour sélectionner l'heure, presser le bouton ou .
14. Pour confirmer, presser le bouton , **1, OFF** s'affiche, **RLL** s'affiche brièvement, et **minutes** clignotent.
15. Pour sélectionner les minutes, presser le bouton ou .
16. Pour confirmer, presser le bouton .

NOTE : Passer au PROGRAMME 2 et régler les heures de **MARCHÉ** et d'**ARRÊT** ou interrompre la programmation à ce stade. PROGRAMME 2 reste désactivé.

NOTE : PROGRAMME 1 et 2 utilisent les mêmes températures de **MARCHÉ** (thermostatique) et d'**ARRÊT** pour **RLL**, **SR5U**, et Minuterie Quotidienne (1, 2, 3, 4, 5, 6, 7). Une nouvelle température de **MARCHÉ** (Thermostatique) et / ou d'**ARRÊT** réglée devient aussitôt le nouveau réglage par défaut.

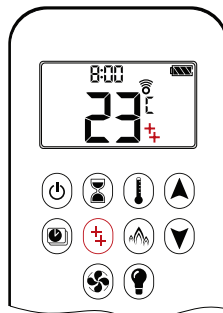
NOTE : Les heures de **MARCHÉ** et d'**ARRÊT** en PROGRAMME 1 et PROGRAMME 2 programmées en **RLL**, **SR5U** ou Minuterie Quotidienne deviennent les nouvelles heures par défaut. Les batteries doivent être alors enlevées pour supprimer les heures de **MARCHÉ** et d'**ARRÊT** et les températures du PROGRAMME 1 et du PROGRAMME 2.

SR5U ou Minuterie Quotidienne (1, 2, 3, 4, 5, 6, 7) sélectionné

- Régler l'heure de **MARCHÉ** et d'**ARRÊT** en procédant de la même manière que « **RLL** sélectionné » (ci-dessus).
- **SR5U**: Régler l'heure de **MARCHÉ** et d'**ARRÊT** pour samedi et dimanche.
- Minuterie Quotidienne: Les heures uniques de **MARCHÉ** et d'**ARRÊT** peuvent être réglées pour un seul jour de la semaine, plusieurs jours de la semaine ou sur tous les jours de la semaine.
- Attendre avant de terminer le réglage.

FONCTION 2^{ÈME} BRÛLEUR

L'électrovanne verrouillable s'ouvre automatiquement à l'allumage ou après avoir coupé le système de sorte que le débit de gaz maximal parvienne aux deux brûleurs pour favoriser le système d'allumage. Après avoir appuyé sur le bouton 2^{ème} Brûleur, le moteur tournera 7 secondes dans le sens **ON** jusqu'à la position maximale.



MARCHÉ :

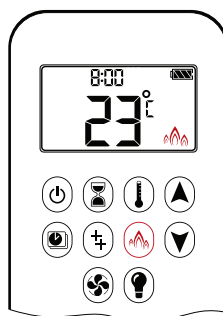
- Pour allumer un brûleur, presser le bouton .
- s'affiche.

ARRÊT :

- Pour éteindre le brûleur, presser le bouton .
- disparaît.

NOTE : La vanne de verrouillage solénoïde ne peut pas fonctionner manuellement. La batterie du récepteur qui se décharge reste alors dans la dernière position de marche.

MODE ECO



ON

- Presser le bouton pour saisir le Mode Eco.
- s'affiche.

ARRÊT :


1. Presser le bouton .
2. Presser le bouton ou pour saisir le Mode Manuel.
3. Presser le bouton pour saisir le Mode Thermostatique.
4. Presser le bouton pour saisir le Mode Programme.

Fonctionnement

FONCTIONNEMENT DE LA LUMIÈRE / VARIATEUR









MARCHE :


- Presser le bouton .
-  s'affiche. La lumière est allumée (en niveau préréglé).

ARRÊT :

- Presser le bouton .
-  disparaît.

RÉGLAGE :

1. Presser et maintenir le bouton  jusqu'à ce que  clignote.
2. Pour régler la lumière entre 20...100% presser le bouton  et .
3. Pour confirmer le réglage, presser le bouton  ou attendre.  s'affiche.

NOTE : La lumière fonctionne indépendamment de la flamme pilote. Presser le bouton  pour que la lumière soit allumée sans flamme.

Piles de la télécommande et du récepteur

Piles de la télécommande

- 2 × AAA (piles alcalines recommandées)
- Indicateur de piles faibles sur les combinés avec écran
- Le remplacement des piles est recommandé tous les 2 ans

Piles du récepteur

- 4 × AA (piles alcalines SEULEMENT)
- Indicateur de piles faible: bips fréquents pendant 3 secondes lorsque le moteur tourne.
- Si aucun adaptateur secteur A/C n'est utilisé, le remplacement des piles est recommandé au début de chaque saison de chauffage dans le cadre du contrôle d'entretien annuel.

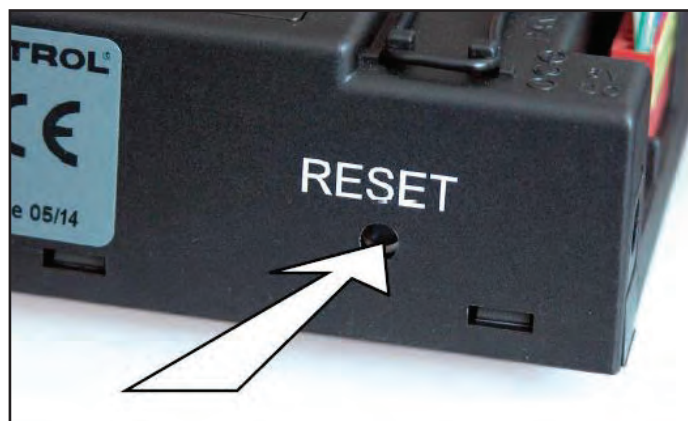


ATTENTION : N'UTILISEZ PAS de tournevis ni aucun autre objet métallique pour retirer les piles du boîtier de piles! Cela pourrait provoquer un court-circuit au système.

Jumelage de la télécommande avec le récepteur

Votre télécommande sera jumelée avec le récepteur du foyer et sera prête à fonctionner hors de la boîte. En cas de remplacement de la télécommande ou du récepteur, utilisez la procédure suivante pour coupler la télécommande avec le récepteur:

1. Appuyez et maintenez enfoncé le bouton de réinitialisation du récepteur jusqu'à ce que vous entendiez deux (2) bips. Le premier bip est court et le deuxième bip est long. Après le deuxième bip, relâchez le bouton de réinitialisation.
2. Dans les 20 secondes suivantes, appuyez sur le bouton (flèche vers le bas) du combiné jusqu'à ce que vous entendiez deux bips courts supplémentaires confirmant que le code est défini. Si vous entendez un long bip, cela indique que la séquence d'apprentissage du code a échoué ou que le câblage est incorrect.



Étapes d'installation

1. Avant de commencer l'installation, assurez-vous d'avoir lu et compris toutes les informations AVERTISSEMENT du manuel. Ne démarrez pas l'installation si vous n'êtes pas sûr de l'un des sujets liés à l'installation.
2. Déterminez les éléments suivants:
 - La configuration du système de ventilation à utiliser en fonction de l'emplacement du foyer.
 - Exigences de dégagement des matériaux combustibles et non combustibles.
 - Tuyauterie d'alimentation en gaz.
 - Exigences de câblage électrique.
 - Détails d'encadrement et de finition.
3. Déballez le foyer en suivant les instructions pour le déballage du foyer.
4. Placez le foyer à l'emplacement souhaité. Vérifiez le dégagement par rapport aux matériaux incombustibles et combustibles. Suivez les instructions de dégagement et l'exemple du manuel.
5. Fixez les supports arrières de l'appareil au cadre mural
6. Connectez le système d'évacuation du foyer.
7. Connectez la conduite de gaz au foyer et vérifiez la pression d'entrée et de sortie du gaz.
8. Confirmez si des ajustements pour l'altitude élevée sont nécessaires (installation à plus de 4500 pieds du niveau de la mer).
9. Installez les piles du récepteur ou si vous utilisez l'alimentation secteur, assurez-vous que la prise électrique est à moins de 2,5 m et branchez l'adaptateur CA / CC au récepteur et à la prise murale. Insérez et placez les ornements du foyer. Se reporter à la section arrangement du lit de braises du manuel.
10. Installer les éléments du lit de braise en suivant les instructions Arrangement du lit de braises.
11. Vérifiez :
 - Système d'allumage et veilleuse
 - Combustion et flamme
 - Initialisation de la télécommande
12. Complétez l'installation de la charpente et couverture murale.
13. Retirez la pellicule protectrice de la vitre et nettoyez la vitre
14. Installez la vitre et la barrière de sécurité.
15. Assurez-vous que le propriétaire sait comment utiliser le foyer et la télécommande et peut localiser les instructions d'allumage et l'étiquette de classification.
16. Assurez-vous que le propriétaire a les documents démontrant les détails liés au foyer (modèle, numéro de série, date d'installation), ainsi que les détails de l'installateur.
17. Assurez-vous que le propriétaire est conscient des horaires d'entretien réguliers et des problèmes potentiels qui exigent des réparations.



Lisez toutes les instructions avant de commencer l'installation. Suivez attentivement ces instructions pendant l'installation pour assurer une sécurité et des avantages maximaux. Suivez les étapes ci-dessus pour assurer une installation correcte de l'appareil à gaz.



AVERTISSEMENT

Risque d'incendie ou d'explosion! Des pièces endommagées peuvent nuire au bon fonctionnement.
NE PAS installer de composants endommagés, incomplets ou de remplacement.

Préparation à l'installation

Déballage du foyer et contenu



Retirer la caisse protectrice de la palette.

Le foyer Faber MatriX est fourni avec le contenu suivant. Assurez-vous que tous les composants sont présents avant l'installation. Il se peut que tous les composants ne soient pas emballés exactement comme indiqué.



Foyer MatriX

Écran de sécurité

Télécommande, manuel, accessoires



Bûches

Adaptateur DuraVent

Verre concassé

Préparation à l'installation

Emplacement du foyer

Une fois que le foyer a été réglé en position verticale, il peut être déplacé vers son emplacement d'installation final.

- Assurez-vous que le module de commande est sécurisé et ne traîne pas sur le sol pendant le transport et le positionnement.
- L'appareil doit rester sur la palette pendant le transport à l'intérieur du site.
- Lors du positionnement du foyer, tenez compte des exigences de dégagement et de l'encadrement.
- Assurez-vous que l'appareil est de niveau. Ajustez les pieds pour mettre l'appareil de niveau si nécessaire.
- Fixez les supports supérieurs du foyer au montant métallique à l'arrière pour fixer le foyer. La longueur du support peut être ajustée en desserrant les vis sur le dessus.



Le foyer doit rester sur la palette en bois lorsqu'il est transporté à l'emplacement d'installation final.

N'essayez pas d'utiliser un transpalette ou tout autre outil mobile si l'appareil a été retiré de la palette en bois, car cela pourrait endommager les composants en dessous du foyer.

Terminaison d'évent



Ces instructions doivent être utilisées à titre indicatif et ne remplacent en aucun cas les codes locaux. Installez la ventilation conformément aux codes locaux, à ces instructions, ainsi qu'au National Fuel Gas Code (ANSI-2223.1) ou au Code d'installation du gaz naturel et du propane CSA B149.1 courant.

Instructions

1. Lorsqu'un tuyau de ventilation passe à travers un plancher ou un plafond, un coupe-feu de plafond DOIT être utilisé pour conserver l'isolation et maintenir les dégagements appropriés. Utilisez des supports de toit si nécessaire.
2. Installez la première section du tuyau de ventilation dans le collier sur le dessus du foyer.
3. Les connexions entre chaque composant du système de ventilation doivent être solidement jointes et sécurisées. Suivez les instructions du fabricant de l'évacuation pour savoir comment sceller et sécuriser l'évacuation et les connexions d'évacuation.
4. Les tronçons horizontaux du tuyau d'évent doivent être soutenus pour éviter tout affaissement vers le bas. Les sections de tuyaux horizontales doivent être supportées au moins tous les 4 pieds. Des sangles murales peuvent être utilisées à cet effet.
5. Lors de l'installation du tuyau de ventilation, assurez-vous que le tuyau de ventilation est soutenu par la structure / le cadre environnant et non par le foyer.

Suivez les instructions du fabricant de l'évent pour savoir comment installer, sceller et sécuriser l'évent et les connexions d'évent.

Encadrement des événements des murs et plafonds combustibles:

Lors du passage à travers des murs et des plafonds combustibles, la charpente dépendra du type d'installation de ventilation - horizontale ou verticale. Assurez-vous que l'isolation est maintenue à l'écart du tuyau de ventilation à l'aide d'un manchon mural ou d'un écran d'isolation du grenier. Suivez les instructions d'installation fournies avec les différents composants de ventilation.

Tuyau approuvé - Cet appareil est approuvé pour une utilisation avec la ventilation M&G DuraVent et ICC.

NE PAS mélanger les tuyaux, les raccords ou les méthodes d'assemblage de différents fabricants.

Pour obtenir des informations détaillées sur l'installation de la cheminée DuraVent ou ICC, veuillez utiliser le manuel d'installation de l'évent direct du fabricant.

AVERTISSEMENT

NE PAS emballer d'isolant autour de l'évent. L'isolation doit être éloignée du tuyau pour éviter une surchauffe. TOUJOURS maintenir les dégagements spécifiés autour des systèmes de ventilation et coupe-feu. Installer le bouclier mural et les coupe-feu de plafond comme spécifié.

Taille de l'évent et du foyer

Le foyer nécessitera un événement de 5 po × 8 po.

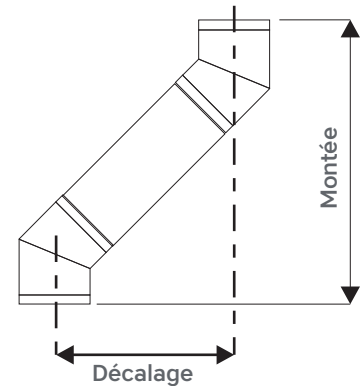
Modèle				Taille de l'évent
FMG3326F	FMG4326F	FMG3326F-LP	FMG4326F-LP	5x8
FMG3726L	FMG4726L	FMG3726L-LP	FMG4726L-LP	
FMG3726R	FMG4726R	FMG3726R-LP	FMG4726R-LP	
FMG4126B	FMG5126B	FMG4126B-LP	FMG5126B-LP	

Terminaison d'évent

Dégagements combustibles minimaux de l'évent

- Dégagements d'évent horizontaux**
 Un dégagement minimum de 3 po (76 mm) vers le haut et 1 po (26 mm) vers les côtés et le bas du tuyau de ventilation sur toutes les conduites horizontales vers les combustibles est requis.
- Dégagements d'évent verticaux**
 Un minimum de 1 po (26 mm) tout autour du tuyau de ventilation sur toutes les conduites verticales vers les combustibles est requis, sauf pour les dégagements dans les enceintes des appareils.

Les événements horizontaux doivent avoir une élévation d'au moins 1/4 po (6 mm) par 1 pied vers la terminaison.



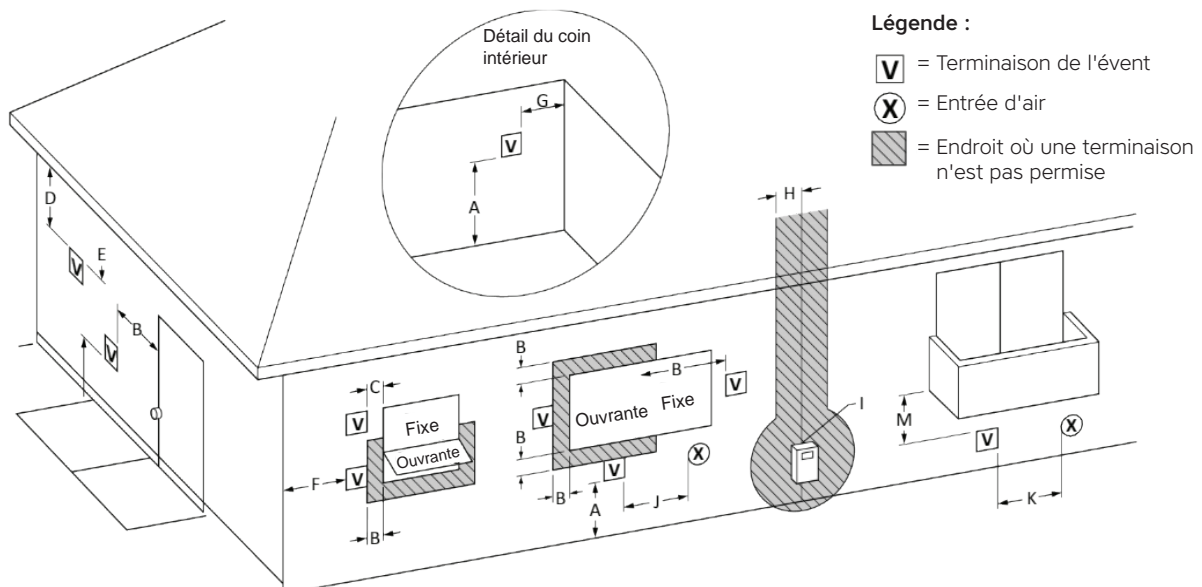
DirectVent Pro and iCC Compatible Vent Terminations

Description du composant	Numéro d'inventaire DuraVent	Numéro d'inventaire ICC
Coupe-feu mural	58DVA-WT	TM-5WT
Coupe-feu mural (petit)	58DVA-WTS	N/A
Coupe-feu mural (universel)	58DVA-WTU	N/A
Support de plafond	58DVA-CS	TM-5RDS
Coupe-feu	58DVA-FS	TM-5LS
Cloison coupe-feu	58DVA-WFS	TM-5TP
Entretoise du parement de vinyle	58DVA-VSS	TM-VSS
Entretoise du parement de vinyle (ensemble de 4 pièces)	58DVA-VSK	TM-VSS
Contre-solin (assemblé)	58DVA-CF	N/A
Adaptateur d'appareil	N/A - Fourni avec l'appareil	TM-5AA8

Pour des instructions spécifiques sur les composants de ventilation, visitez le site Web des fabricants ci-dessous.

Direct Vent Pro - www.duravent.com

Industrial Chimney Company (ICC) - www.icc-rsf.com



Dégagements minimaux autour de l'événement

	Exigences de dégagement minimum	Canada ¹	É.U. ²
A	Dégagement au-dessus du niveau du sol, véranda, véranda, terrasse ou balcon	12 po (30 cm)	12 po (30 cm)
B	Dégagement d'une fenêtre ou d'une porte qui peut être ouverte	12 po (30 cm)	9 po (23 cm)
C	Dégagement d'une fenêtre fermée en permanence	Voir note ³	Voir note ³
D	Dégagement vertical au soffite ventilé situé au-dessus du terminal à une distance horizontale de 2 pieds (61 cm) de la ligne centrale du terminal (vérifiez avec le code local)	29 po (74 cm)	29 po (74 cm)
E	Dégagement au soffite non ventilé	20 po (51 cm)	20 po (51 cm)
F	Dégagement au coin extérieur: avec capuchon de terminaison AstroCap	7 po (18 cm)	7 po (18 cm)
	Dégagement au coin extérieur: avec tous les autres capuchons de terminaison approuvés	14 po (36 cm)	14 po (36 cm)
G	Dégagement vers l'intérieur: avec capuchon de terminaison AstroCap	7 po (18 cm)	7 po (18 cm)
	Dégagement au coin intérieur: avec tous les autres capuchons de terminaison approuvés	12 po (30 cm) 13 po (33 cm)	12 po (30 cm)
H	Dégagement de chaque côté de la ligne médiane étendu au-dessus de l'ensemble compteur / régulateur	36 po (90 cm) ⁶	Voir note ³
I	Dégagements autour du compteur / régulateur	36 po (90 cm)	Voir note ³
J	Dégagement pour entretenir la sortie de ventilation du régulateur	36 po (90 cm)	Voir note ³
K	Dégagement de l'entrée d'air non mécanique du bâtiment ou de l'entrée d'air de combustion de tout autre appareil	12 po (30 cm)	9 po (23 cm)
L	Dégagement à une entrée d'air mécanique # 3 pi (91 cm) au-dessus si à moins de 10 pi (3 m) horizontalement.	72 po (1.8 m)	36 po (90 cm) ⁷
M	Dégagement au-dessus d'un trottoir pavé ou d'une allée pavée située sur une propriété publique	84 po (2.1m) ⁵	See note ³
N	Dégagement sous véranda, véranda, terrasse ou balcon	12 po (30 cm)	See note ³

Notes :

¹ Conformément au CSA B149.1, Code d'installation du gaz naturel et du propane courant.

² Conformément au ANSI Z223. 1/NFPA 54, National Fuel Gas Code courant.

³ Dégagement conforme aux codes d'installation locaux et aux exigences du fournisseur de gaz

⁴ Un événement ne doit pas se terminer directement au-dessus d'un trottoir ou d'une allée pavée qui est situé entre deux habitations unifamiliales et dessert les deux habitations.

⁵ Autorisé uniquement si la véranda, le porche, la terrasse ou le balcon est complètement ouvert sur au moins deux côtés sous le plancher

⁶ 3 pieds (91 cm) sur une hauteur de 15 pieds (4,5 m) au-dessus de l'ensemble compteur / régulateur.

⁷ 3 pieds (91 cm) au-dessus - si à moins de 10 pieds (3 m) horizontalement.

Terminaison d'évent

Installation de l'appareil avec terminaison horizontale

Ventilation 5 po x 8 po (systèmes de ventilation rigides)

Dégagements minimaux de ventilation aux combustibles

Horizontal Top*	3 po (76 mm)*
Horizontal Side	2 po (51 mm)
Horizontal Bottom	2 po (51 mm)
Vertical Vent	2 po (51 mm)

* Les dégagements notés doivent être maintenus; sauf lors du passage à travers d'un mur, d'un plafond ou à l'extrémité où l'utilisation d'un coupe-feu ou d'un coupe-feu mural réduit le dégagement à 1 1/2 po (38 mm).

Taille d'ouverture encadrée recommandée

Taille de l'évent	Taille du cadrage
5 po x 8 po	11 po x 11 po (279 x 279 mm)

Les dimensions d'encadrement recommandées (dimensions intérieures) pour les terminaisons de ventilation rigides de 5 po x 8 po - à utiliser avec un coupe-feu ou un coupe-feu mural.

Installer le système de ventilation selon les instructions du fabricant fournies avec les composants.

1. Placer l'appareil à l'emplacement souhaité. Vérifiez si des poteaux muraux ou des chevrons de toit obstruent le système de ventilation lorsqu'il est fixé. Si tel est le cas, vous souhaitez peut-être ajuster l'emplacement de l'appareil. De préférence, amenez le raccordement au gaz à la droite de l'appareil et le circuit électrique à la gauche (le bloc de jonction est sur le côté gauche de l'appareil).
2. Les tuyaux et raccords à ventilation directe sont conçus avec des raccords à verrouillage spécial pour connecter le système de ventilation à la sortie de fumée de l'appareil. Un adaptateur d'appareil à verrou tournant est requis.
3. En conjonction avec le système de ventilation approuvé, installez l'adaptateur une fois que l'appareil est réglé à l'emplacement souhaité. Placez un cordon de Mill-Pac à l'intérieur de la section extérieure de l'adaptateur et un cordon de Mill-Pac sur le collier intérieur. Glissez l'adaptateur sur le collier de conduit intérieur et extérieur existant. Fixez au collier extérieur uniquement avec les 3 vis fournies (le perçage de trous d'implantation facilitera la tâche). Cet adaptateur est généralement installé en usine.
4. Mettez le foyer de niveau et fixez-le au cadre à l'aide de clous ou de vis à travers les bandes de clouage supérieures et latérales.
5. Assemblez la combinaison désirée de tuyau et de coudes à l'adaptateur de l'appareil et verrouillez pour une connexion solide.

! NOTE : Pour de meilleurs résultats et des performances optimales avec chaque système de ventilation approuvé, il est fortement recommandé d'appliquer le scellant Mill-Pac (fourni) sur chaque raccord de tuyau intérieur. L'absence du scellant peut entraîner problèmes de performances ou de courants d'air non couverts par la garantie.

Les conduits horizontaux de l'évent doivent être soutenus tous les 3 pieds (0,9 mètre). Des sangles murales sont disponibles à cet effet.

6. Marquez le mur pour un trou carré (voir le tableau à gauche pour la taille.) Le centre du trou carré doit être aligné avec la ligne centrale du tuyau horizontal. Coupez et encadrez le trou carré dans le mur extérieur où l'évent se terminera. Voir le schéma 2 pour les exigences de la ligne centrale.

Si le mur pénétré est fait de matériaux incombustibles, comme en bloc de maçonnerie ou béton, un trou de 8 po (203 mm) de diamètre est acceptable.

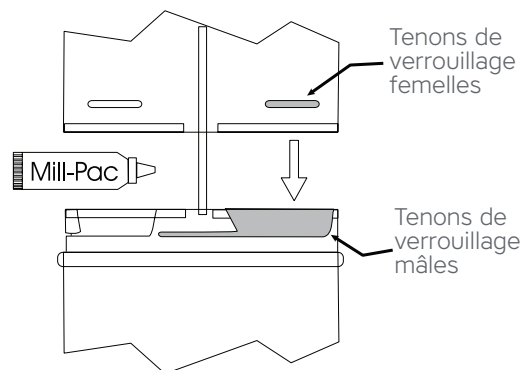


Diagramme 1

Installation de l'appareil avec terminaison horizontale

- ! NOTE :** a) La course horizontale de l'évent doit être de niveau ou avoir une élévation de 1/4 de pouce pour chaque 1 pied de course vers la terminaison. Ne jamais installer l'évent en pente descendante. Cela pourrait provoquer des températures élevées et présenter un risque d'incendie.
- b) L'emplacement de la terminaison de ventilation horizontale sur un mur extérieur doit respecter tous les codes du bâtiment locaux et nationaux.
7. Assurez-vous que les dégagements des tuyaux aux matériaux combustibles sont maintenus (schéma 3). Installez le capuchon de terminaison.

! NOTE : Si vous installez une terminaison sur un mur couvert de revêtement de vinyle, une entretoise de revêtement de vinyle ou des bandes de fourrure doivent être utilisées pour garantir que la terminaison n'est pas encastrée dans le revêtement. Les quatre vis à bois fournies doivent être remplacées par des attaches appropriées pour le stuc, la brique, le béton ou d'autres types de revêtements.

8. Avant de connecter le tronçon horizontal du tuyau d'évent à la terminaison d'évent, faites glisser le coupe-feu mural sur le tuyau d'évent. Le mur est nécessaire pour toutes les terminaisons horizontales.
9. Faites glisser l'appareil et l'ensemble de ventilation vers le mur en insérant soigneusement le tuyau de ventilation dans l'ensemble de bouchons de ventilation. Il est important que le tuyau d'évent se prolonge dans la distance suffisante du capuchon d'évacuation de manière à entraîner un chevauchement minimum du tuyau de 1 1/4 pouces (32 mm). Fixez la connexion entre le tuyau de ventilation et le bouchon de ventilation.
10. Installez le manchon mural au centre du trou encadré et fixez-le avec des vis à bois (schéma 4).

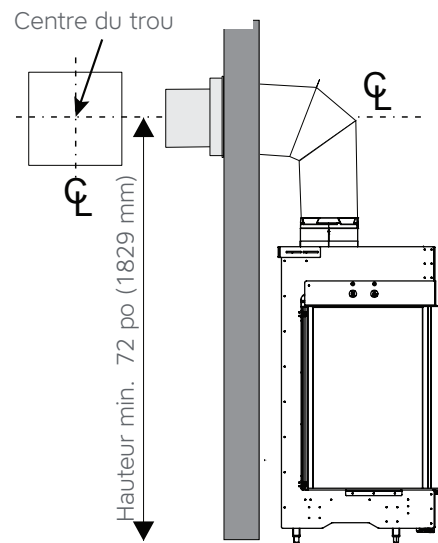


Diagramme 2

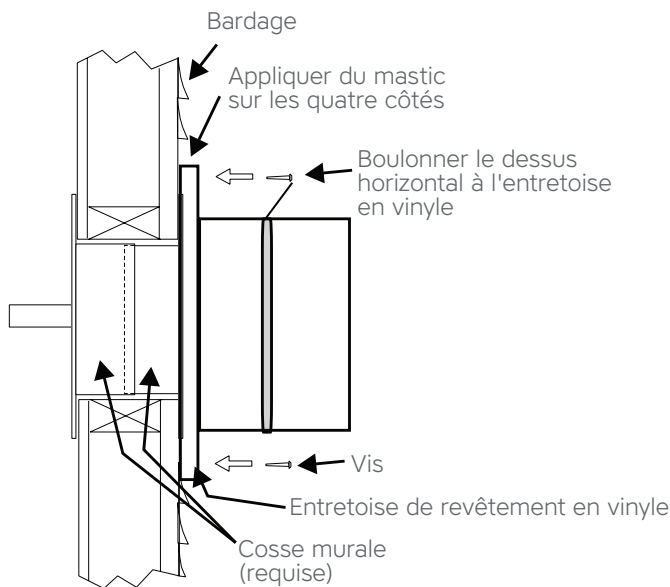


Diagramme 3

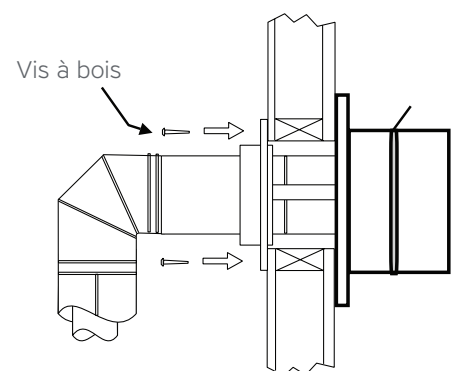


Diagramme 4

Terminaison d'évent

Installation de l'appareil avec terminaison verticale

! NOTE : Un dégagement supérieur de 3 po (76 mm) et un dégagement latéral inférieur de 2 po (51 mm) doivent être maintenus; sauf lors du passage à travers un mur, un plafond ou à l'extrémité où l'utilisation d'un coupe-feu ou d'un coupe-feu mural réduit le dégagement requis à 1 ½ po (38 mm). Il est recommandé de construire un cadre autour du coupe-feu ou du coupe-feu mural pour donner une rigidité structurelle au montage de la terminaison. Voir les dimensions de découpe du fabricant pour le dimensionnement approprié pour le composant utilisé.

1. Maintenez les dégagements de 1 ½ po (38 mm) aux combustibles lors du passage à travers les plafonds, les murs, les toits, les enclos, les chevrons du grenier ou d'autres surfaces combustibles à proximité, en veillant à ce que l'utilisation d'un coupe-feu ou d'un coupe-feu mural soit utilisée comme indiqué précédemment. Ne pas remplir les espaces d'air avec du matériel d'isolation. Consultez la section appropriée pour l'élévation verticale maximale du système de ventilation et les limites de décalage horizontal maximal.
2. Réglez l'appareil à gaz à l'emplacement souhaité. Laissez tomber un fil à plomb du plafond à la position de la sortie du conduit de l'appareil et marquer l'emplacement où l'évent pénétrera dans le plafond. Percez un petit trou à sa pointe. Ensuite, déposez un fil à plomb du toit dans le trou précédemment percé dans le plafond et marquez l'emplacement du schéma 2 où l'évent pénétrera dans le toit. Déterminez si les solives de plafond, les chevrons de toit ou tout autre cadre obstrueront le système de ventilation. Vous souhaitez peut-être déplacer l'appareil ou le compenser pour éviter de couper les éléments porteurs.
3. Une entretoise coupe-feu doit être installée dans le sol ou le plafond de chaque niveau.
4. Assemblez les longueurs de tuyau et de coudes souhaitées. Assurez-vous que tous les tuyaux et raccords coudés sont en position de verrouillage complet et scellés.

! NOTE : Pour de meilleurs résultats et des performances optimales avec chaque système de ventilation approuvé, il est fortement recommandé d'appliquer le scellant «Mill-Pac» sur chaque raccord de tuyau intérieur. L'absence du scellant peut entraîner problèmes de performances ou de courants d'air non couverts par la garantie.

5. Découpez un trou dans le toit centré sur le petit trou percé placé dans le toit à l'étape 2. Le trou doit être de taille suffisante pour répondre aux exigences minimales de dégagement aux combustibles de 1 ½ po (38 mm).

Diagramme 1

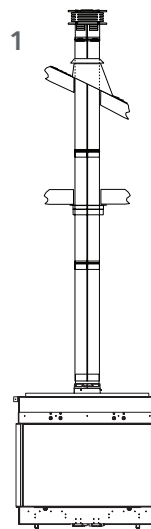
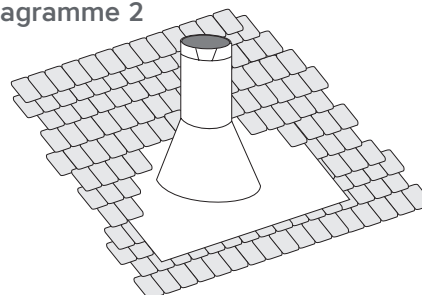
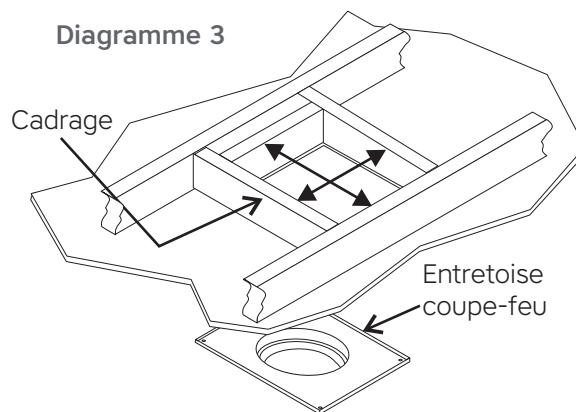


Diagramme 2



La moitié supérieure du solin est installée sous le matériau de toiture et n'est pas clouée avant l'installation de la cheminée. Cela permet de petits ajustements.

Diagramme 3



Installation de l'appareil avec terminaison verticale

Glissez le solin sous les bardeaux (les bardeaux doivent chevaucher la moitié du solin) selon le schéma 2.

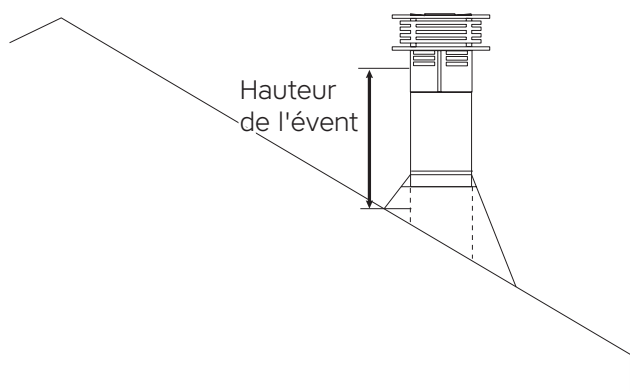
6. Continuez à assembler les longueurs de tuyaux.

! NOTE : Si un décalage est nécessaire dans le grenier pour éviter les obstructions, il est important de soutenir le tuyau de ventilation tous les 3 pieds (0,9 mètre), pour éviter une contrainte excessive sur les coudes et une éventuelle séparation. Des sangles murales sont disponibles à cet effet.

Un tuyau galvanisé est souhaitable au-dessus de la ligne de toit en raison de sa résistance à la corrosion plus élevée. Continuez à ajouter des sections de tuyau à travers le solin jusqu'à ce que la hauteur du chapeau de ventilation réponde aux exigences de hauteur minimale spécifiées dans le schéma 5 ou les codes locaux. Notez que pour les pentes de toit raides, la hauteur verticale doit être augmentée.

- Assurez-vous que l'évent est vertical et fixez la base du solin au toit avec des rails de toiture, faites glisser le collier anti-tempête sur la section du tuyau et scellez avec un mastic.
- Installez le capuchon de terminaison vertical en le verrouillant par rotation.

! NOTE : Tous les placards ou espaces de stockage traversés par l'évent doivent être fermés.



Pente de la toiture	Hauteur minimale de l'évent	
	Pieds	Mètres
plat à 7/12	2	0.61
plus de 7/12 to 8/12	2	0.61
plus de 8/12 to 9/12	2	0.61
plus de 9/12 to 10/12	2 ½	0.76
plus de 10/12 to 11/12	3 ¼	0.99
plus de 11/12 to 12/12	4	1.22
plus de 12/12 to 14/12	5	1.52
plus de 14/12 to 16/12	6	1.83
plus de 16/12 to 18/12	7	2.13
plus de 18/12 to 20/12	7 ½	2.29
plus de 20/12 to 21/12	8	2.44

Un mauvais tirage ou un tirage vers le bas peut résulter de vents violents à proximité de grands arbres ou de lignes de toit adjacentes, dans ces cas. L'augmentation de la hauteur de l'évent peut résoudre le problème.

Décalage		Longueur du tuyau		Hauteur	
pouces	mm	pouces	mm	pouces	mm
4 ¾	121	0	0	13 ¼	337
9	229	6	152	17 ½	445
11 ¼	286	9	229	19 ½	495
13 ¼	337	12	305	21 ¾	552
21 ¾	552	24	610	30 ¼	768
30 ¼	768	36	914	39	991
38	965	48	1219	47	1194

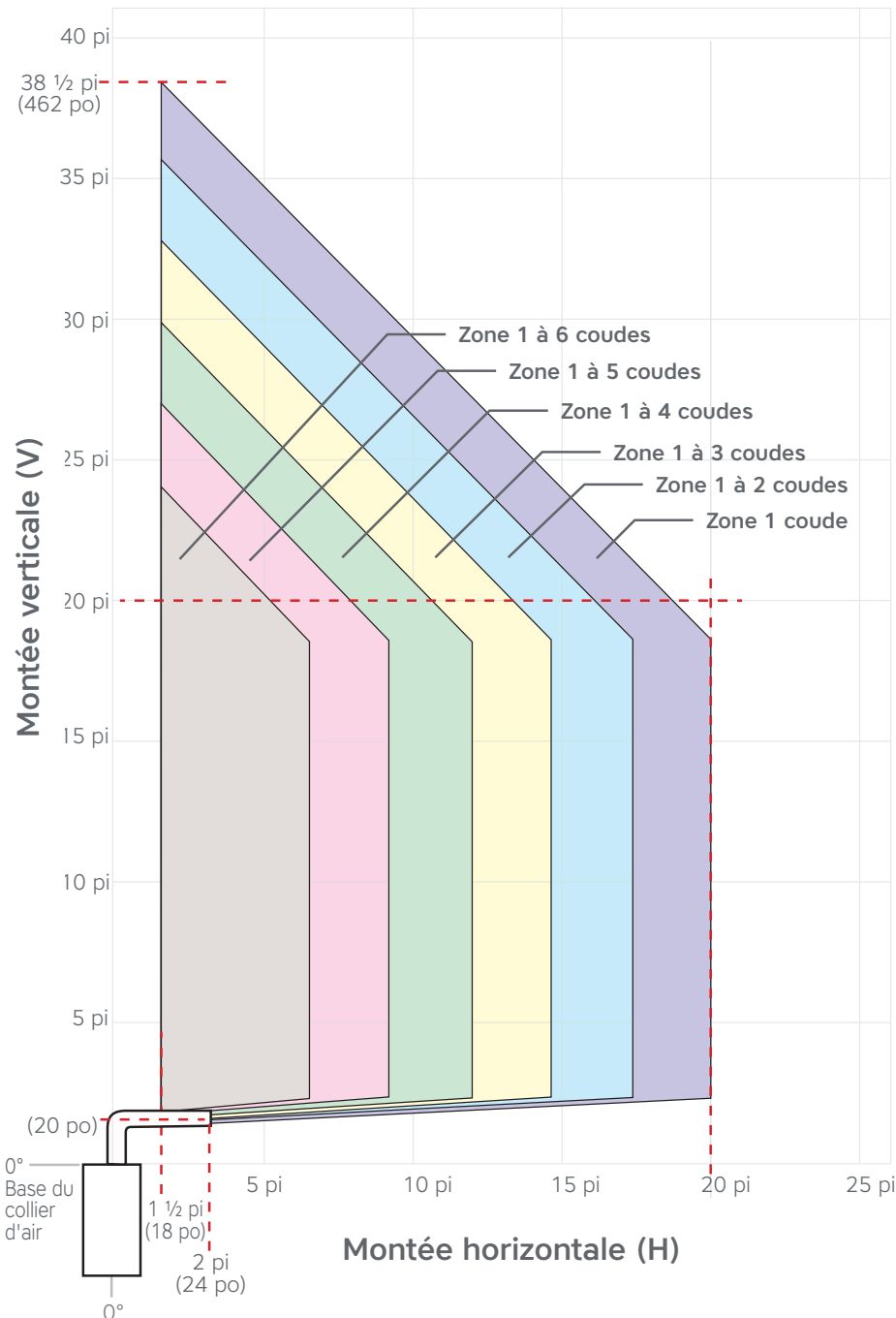
Reportez-vous aux consignes du fabricant DuraVent ou ICC pour les dimensions minimales de découpe ou les ouvertures de cadre autour de la ventilation murale. Assurez-vous que les dégagements aux matériaux combustibles sont maintenus en fonction de la partie de ventilation utilisée.

! NOTE : Les tailles des découpes varient en fonction du numéro de pièce DuraVent ou ICC utilisé.

Terminaison d'évent

Exigences minimales de ventilation - Gaz naturel

**Configurations de ventilation autorisées pour les terminaisons
de ventilation horizontales**
(pour modèles FMG3326F, FMG3726L, FMG3726R, FMG4126B, FMG3326F-LP,
FMG3726L-LP, FMG3726R-LP, FMG4126B-LP, SEULEMENT)



$V+H \leq 40$ pieds

$H \leq 20$ pieds

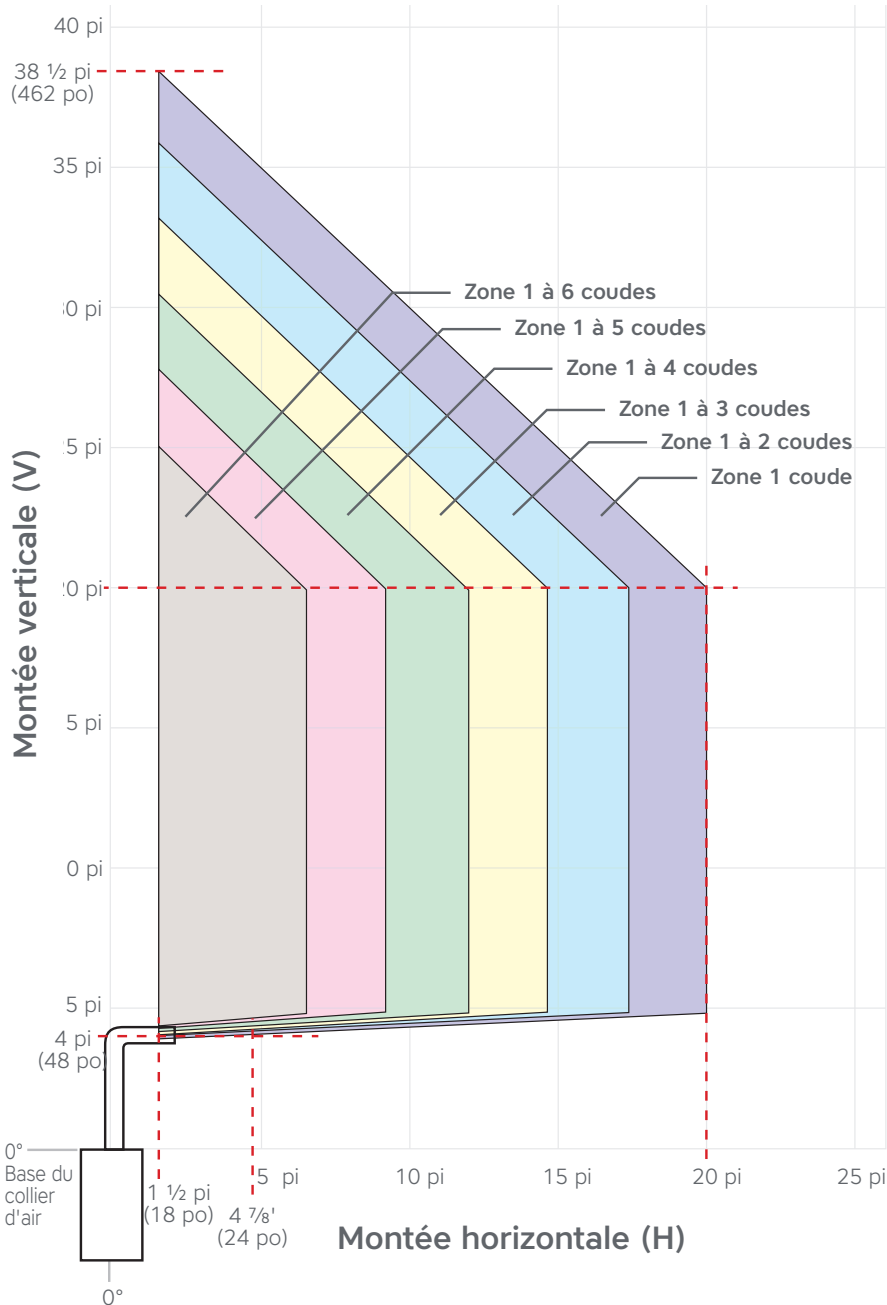
V + H sont mesurés à partir
du centre des coudes de
ventilation

Les coudes sont considérés
comme étant de 90°

Deux coudes 45° = un coude 90°

Configurations de ventilation autorisées pour les terminaisons de ventilation horizontales

(pour modèles FMG4326F, FMG4726L, FMG4726R, FMG5126B, FMG4326F-LP, FMG4726L-LP, FMG4726R-LP, FMG5126B-LP SEULEMENT)



$V+H \leq 40$ pieds

$H \leq 20$ pieds

V + H sont mesurés à partir du centre des coudes de ventilation

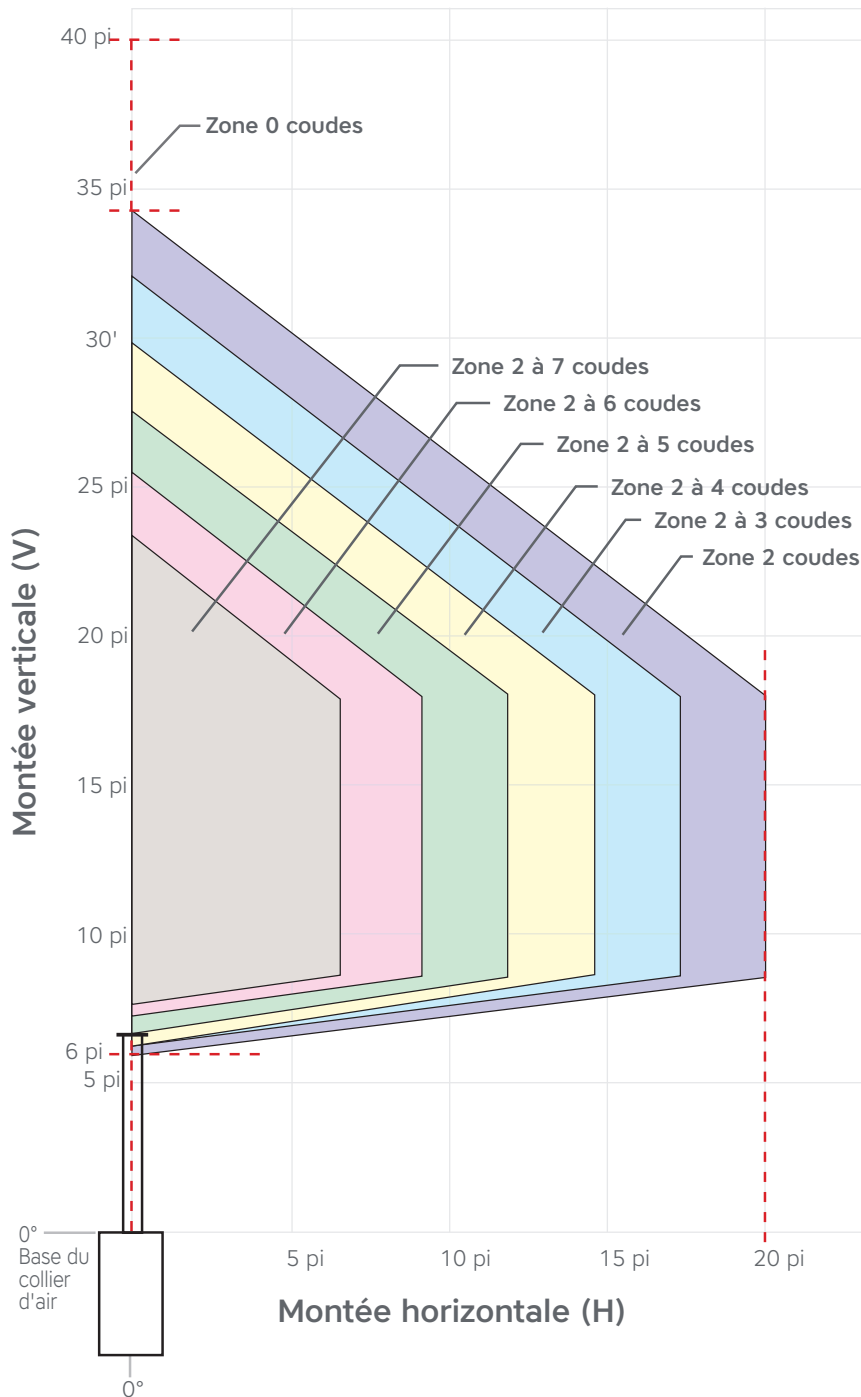
Les coudes sont considérés comme étant de 90°

Deux coudes 45° = un coude 90°

Terminaison d'évent

Exigences minimales de ventilation - Gaz naturel

Configurations de ventilation autorisées pour les terminaisons de ventilation horizontales (Pour tous les modèles)



$V+H \leq 40$ pieds

$H \leq 20$ pieds

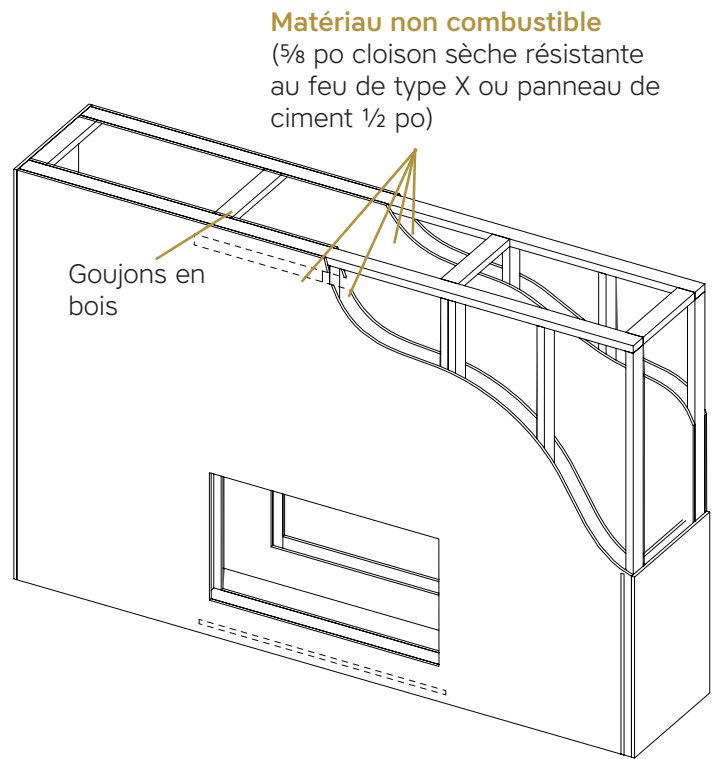
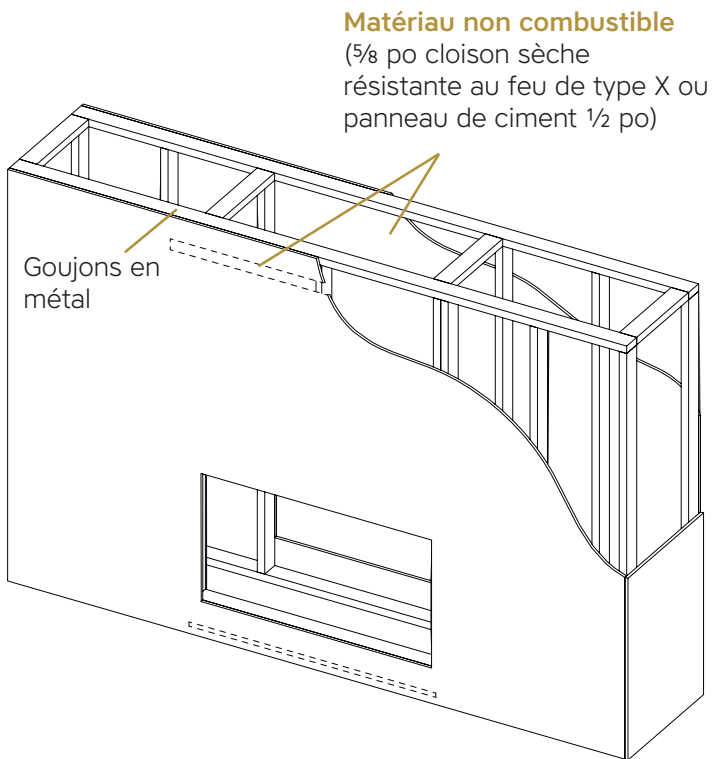
V + H sont mesurés à partir du centre des coudes de ventilation

Les coudes sont considérés comme étant de 90°

Deux coudes 45° = un coude 90°

Note : Une élévation verticale minimale de 6 pi (1,83 m) est considérée comme la dimension pratique minimale pour l'enceinte de l'appareil spécifique et une structure de bâtiment minimale. Cependant, une élévation verticale minimale plus importante peut être nécessaire pour répondre aux contraintes spécifiques de l'application ou aux codes locaux et/ou aux exigences réglementaires.

Installation et planification de l'enceinte



Encadrement non combustible

Une couche de matériau incombustible (cloison sèche résistant au feu de type X de 5/8 po ou panneau de ciment de 1/2" po) est requise à l'extérieur de l'ossature métallique. Cela fournit une protection thermique pour le matériau de finition.

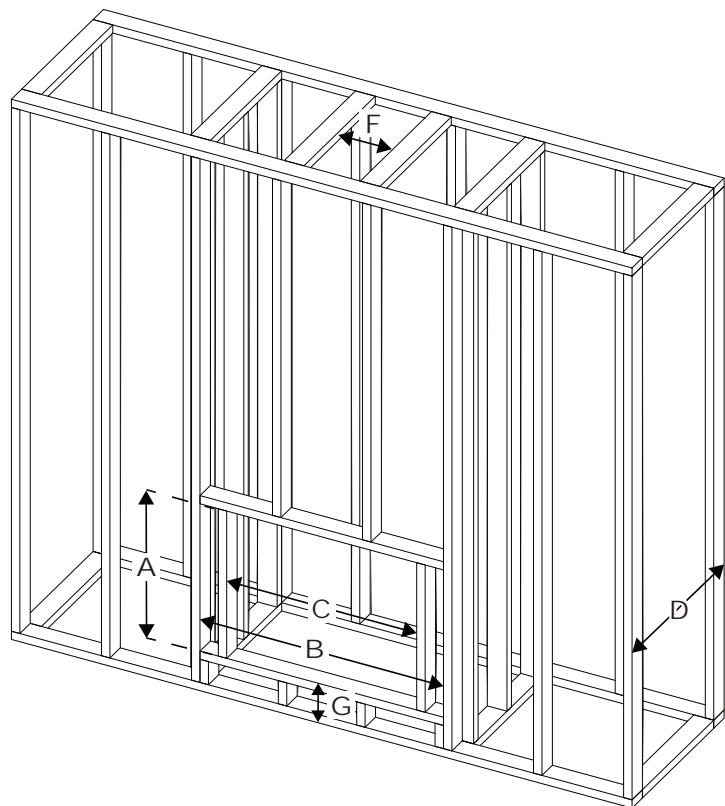
Une couche de matériau incombustible (cloison sèche résistant au feu de type X de 5/8 po ou panneau de ciment de 1/2 po) est recommandée à l'intérieur de la chasse lorsqu'un téléviseur (ou un élément similaire) sera installé au-dessus du foyer. Voir «Informations sur le montage dessous téléviseur» pour plus de détails. Un espace de 1/2 po est nécessaire entre le matériau non combustible et le foyer.

Encadrement combustible

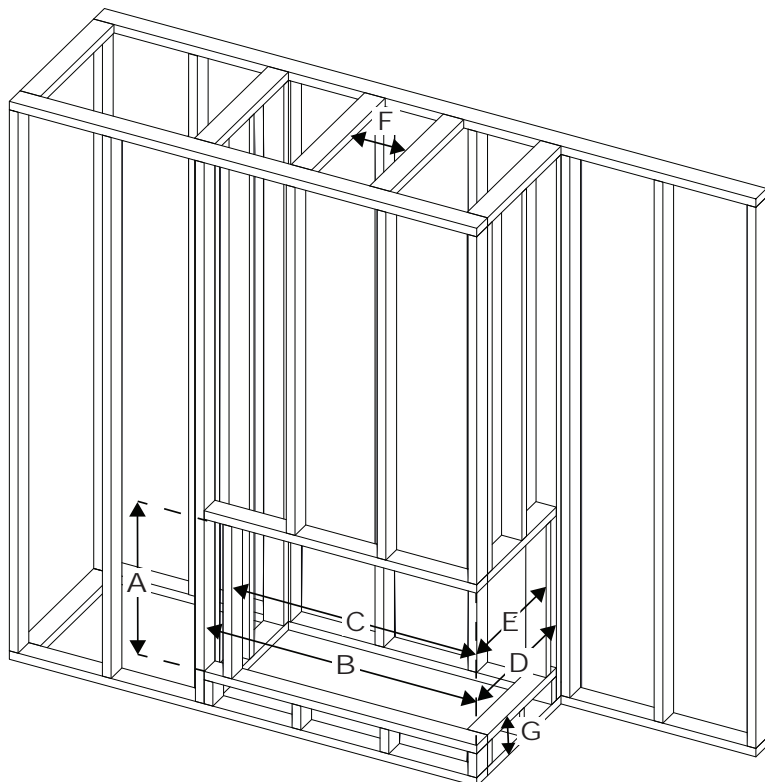
Une couche de matériau incombustible (cloison sèche résistant au feu de type X de 5/8 po ou panneau de ciment de 1/2 po) est requise à l'intérieur (revêtement de toute la cavité intérieure / chasse) et à l'extérieur de l'ossature en bois. Cela fournit une protection thermique à la fois pour l'ossature combustible et le matériau de finition.

Un espace de 1/2 po est nécessaire entre le matériau non combustible et la chambre de combustion.

Installation du foyer à configuration de face



Installation du foyer à configuration droite ou gauche



FMG3326F FMG3326F-LP

Référence	Charpente bois		Charpente métal	
	pouces	mm	pouces	mm
A	27	686	27	686
B	44 1/4	1124	43 1/4	1099
C	33 3/4	857	33 3/4	857
D	28 1/2	724	27 1/2	699
F	10	254	10	254
G (min.)	7 1/4	184	7 1/4	184

FMG4326F FMG4326F-LP

Référence	Charpente bois		Charpente métal	
	pouces	mm	pouces	mm
A	27	686	27	686
B	54 1/8	1375	53 1/8	1349
C	43 5/8	1108	43 5/8	1108
D	28 1/2	724	27 1/2	699
F	10	254	10	254
G (min.)	7 1/4	184	7 1/4	184

FMG3726L/FMG3726R FMG3726L-LP/FMG3726R-LP

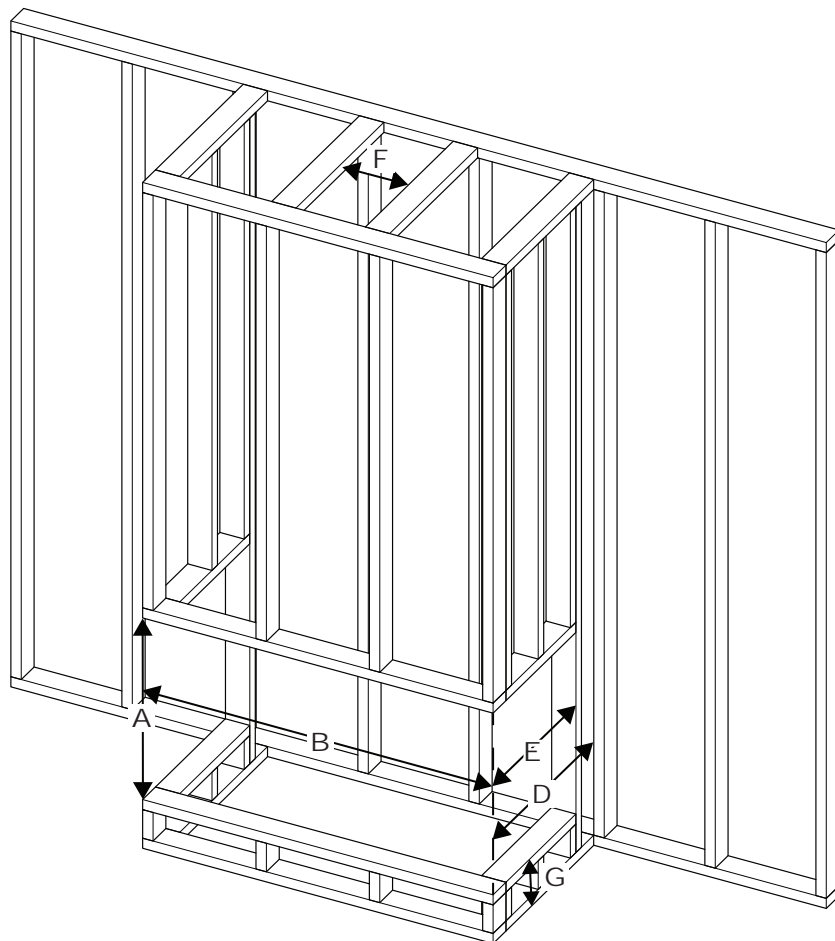
Référence	Charpente bois		Charpente métal	
	pouces	mm	pouces	mm
A	27	686	27	686
B	47 7/8	1216	46 7/8	1191
C	42 5/8	1083	42 1/8	1070
D	28 1/2	724	27 1/2	699
E	23 1/8	587	22 5/8	575
F	10	254	10	254
G (min.)	7 1/4	184	7 1/4	184

FMG4726L/FMG4726R FMG4726L-LP/FMG4726R-LP

Référence	Charpente bois		Charpente métal	
	pouces	mm	pouces	mm
A	27	686	27	686
B	57 3/4	1467	56 3/4	1441
C	52 1/2	1334	52	1321
D	28 1/2	724	27 1/2	699
E	23 1/8	587	22 5/8	575
F	10	254	10	254
G (min.)	7 1/4	184	7 1/4	184

Installation et planification de l'enceinte

Installation du foyer à configuration trois faces



FMG4126B FMG4126B-LP

Référence	Charpente bois		Charpente métal	
	pouces	mm	pouces	mm
A	27	686	27	686
B	51 1/2	1308	50 1/2	1283
D	28 1/2	724	27 1/2	699
E	23 1/8	587	22 5/8	575
F	10	254	10	254
G (min.)	7 1/4	184	7 1/4	184

FMG5126B FMG5126B-LP

Référence	Charpente bois		Charpente métal	
	pouces	mm	pouces	mm
A	27	686	27	686
B	61 3/8	1559	60 3/8	1534
D	28 1/2	724	27 1/2	699
E	23 1/8	587	22 5/8	575
F	10	254	10	254
G (min.)	7 1/4	184	7 1/4	184

Précision des dimensions :

Dimension A – Métal : hauteur du foyer + 1/4 po (6 mm) (pour manœuvrer)

Dimension A – Bois : hauteur du foyer + 1/4 po (6 mm) (pour manœuvrer)

Dimension B – Métal : largeur du foyer + 5/8 po (15 mm)

Dimension B – Bois : largeur du foyer + 5/8 po (15 mm) + 5/8 po (15 mm) (cloison sèche de type X de chaque côté)

Dimension C – Métal : profondeur du foyer - 1/2 po (12 mm) lèvre de cloison sèche)

Dimension C – Bois : profondeur du foyer - 1/2 po (12 mm) (rebord de cloison sèche) + 5/8 po (15 mm) (cloison sèche de type X)

Dimension D – Métal : diamètre du tuyau + 1 po (25 mm) dégagement côté droit + 1 po (25 mm) côté gauche

Dimension D – Bois : diamètre du tuyau + 1 po (25 mm) dégagement côté droit + 1 po (25 mm) côté gauche

Dimension E – Métal : hauteur du sol à la garniture inférieure

Dimension E – Bois : hauteur du sol à la garniture inférieure

Dégagements

Spécifications des matériaux

Spécifications des matériaux incombustibles

Les matériaux incombustibles sont ceux qui ne s'enflamment pas et ne brûlent pas. Ce sont des matériaux entièrement constitués d'acier, de fer, de brique, de tuile, de béton, d'ardoise, de verre ou de plâtre, ou toute combinaison de ceux-ci. Matériaux signalés comme ayant réussi ASTM E 136, *Méthode d'essai standard pour le comportement des matériaux dans un four tubulaire vertical à 750°C* seront considérés comme étant des matériaux incombustibles. Le panneau de ciment non combustible approuvé doit avoir une épaisseur d'au moins 1/2 po (13 mm).

Un matériau incombustible peut être installé sur le cadre du foyer pour couvrir la partie métallique comme détaillée dans les exemples d'installation et les clarifications uniquement s'il n'y a pas de transfert de poids vers le foyer. Les matériaux de parement et/ou de finition ne doivent jamais déborder dans l'ouverture de la vitre.

NE PAS connecter de matériaux ni percer dans le cadre du foyer en métal. Cela peut entraîner un transfert de chaleur excessif et/ou endommager le foyer et les matériaux environnants.

Tous les joints entre le revêtement mural fini et l'appareil doivent être scellés avec des matériaux incombustibles.

AVERTISSEMENT

RISQUE D'INCENDIE : NE PAS appliquer de matériaux combustibles au-delà des dégagements minimaux. Respectez tous les dégagements minimaux aux combustibles comme spécifiés dans ce manuel.

Exemples de matériaux incombustibles à utiliser :

- Skamol Skamotec
- Promat PROMAFOUR System 1/2" (12 mm), 5/8" (15 mm), 3/4" (18 mm)
- James Hardie - Hardiebacker® 1/2" Cement Board
- Cloison sèche coupe-feu de 5/8 po de type X. Les panneaux de gypse de type X doivent être conformes à la spécification ASTM C1396. Les panneaux de gypse résistant au feu de type X peuvent être utilisés autour du foyer ou à l'arrière comme matériau incombustible.

Spécifications des matériaux combustibles

Les matériaux combustibles en bois ou recouverts de bois, de papier comprimé, de fibres végétales, de plastique ou d'autres matériaux pouvant s'enflammer et brûler, qu'ils soient ou non ignifugés, ou plâtrés ou non, seront considérés comme des matériaux combustibles.

Dégagements

Dégagements combustibles minimaux par rapport au tuyau de ventilation

Dégagements des tuyaux de ventilation horizontaux

Un dégagement minimum de 3 po (76 mm) vers le haut et 1 po (25 mm) vers les côtés et le bas du tuyau d'évent sur toutes les conduits horizontaux, par rapport aux combustibles, est requis.

Dégagements des tuyaux de ventilation verticaux

Un minimum de 1 po (25 mm) autour du tuyau d'évent sur toutes les conduites verticales vers les combustibles est requis, sauf pour les dégagements dans les enceintes de l'appareil.

Les événements horizontaux doivent avoir une élévation d'au moins 1/4 po (6 mm) par course de 1 pied vers la terminaison.

AVERTISSEMENT

- Ne laissez jamais l'évent descendre. Une pente descendante peut emprisonner la chaleur et créer un risque d'incendie.
- Maintenez le dégagement de l'évent par rapport aux combustibles tel que détaillé ci-dessus.
- NE PAS emballer l'espace d'air avec de l'isolant ou d'autres matériaux. Le fait de ne pas garder l'isolant ou d'autres matériaux à l'écart du tuyau de ventilation peut provoquer une surchauffe et un incendie.
- Le foyer n'est pas conçu pour supporter la charge ou supporter le poids d'une charpente architecturale. Tous les cadres doivent être autoportants, soutenus par un mur arrière, un mur latéral ou un plafond. Tenter de monter un cadre sur une cheminée soumet la vitre à un poids non supporté et peut endommager le foyer ou briser la vitre. Un cadre ou un montage incorrect sur l'appareil annulera la garantie du produit. Veuillez consulter Faber directement pour toute question ou préoccupation supplémentaire concernant les options d'encadrement.

Dégagements dans l'enceinte

⚠ AVERTISSEMENT

Tous les matériaux à l'intérieur de la chasse et au-dessus du foyer doivent être incombustibles ou des combustibles recouverts uniquement.

Dégagement à l'ossature métallique

Le dégagement minimum par rapport à l'ossature métallique est de 1/2 po (13 mm).

Goujons en métal

Dégagement au montant latéral: 1/2 po (13 mm)

Dégagement à la paroi arrière incombustible: 2 po (51 mm) min.

Poteaux en bois avec en-tête en métal

Dégagement au panneau incombustible (CÔTÉS): 1/2 po (13 mm) min

Dégagement au panneau incombustible (MUR ARRIÈRE): 2 po (51 mm) min.

Dégagement au goujon combustible couvert (BOIS): 2 1/2 po (64 mm) min.

Dégagement aux côtés et au dos - Matériaux incombustibles

Le dégagement minimum entre l'arrière et les côtés du foyer par rapport à tout matériau couvert non combustible (panneau de ciment de 1/2 po ou cloison sèche de 5/8 po de type X) est de 2 po (51 mm). Ce dégagement permet une bonne circulation de l'air.

Dégagement aux côtés et au dos - Combustibles recouverts

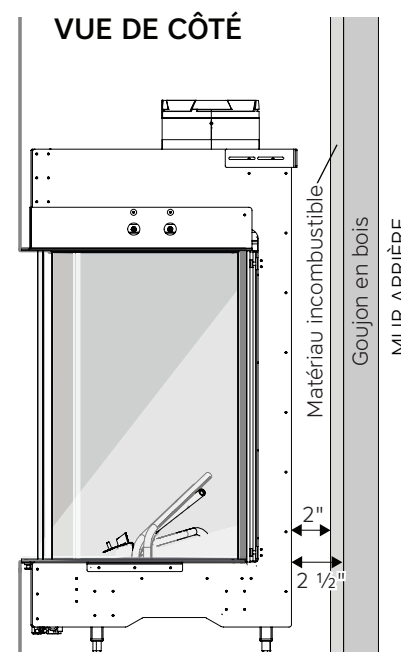
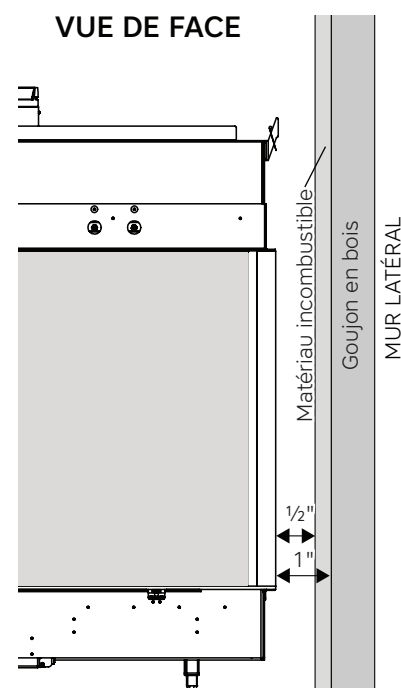
Les matériaux combustibles à l'arrière ou sur les côtés du foyer DOIVENT être recouverts de matériaux incombustibles d'au moins 1/2 po (13 mm) d'épaisseur.

Le bois recouvert peut être placé à au moins 2 po (51 mm) (y compris revêtement incombustible) sur les côtés et à l'arrière.

Exemple : Un panneau de ciment incombustible est placé à 2 po (51 mm) de l'arrière du foyer. Le panneau de ciment utilisé a une épaisseur de 1/2 po (13 mm). Un matériau combustible peut être utilisé derrière le panneau de ciment, car il se trouve à 2 1/2 po (64 mm) de l'arrière du foyer et est recouvert d'un matériau incombustible.

Dégagement aux côtés et au dos - Matériaux combustibles

Le dégagement minimum aux matériaux combustibles à l'arrière ou sur les côtés du foyer sous la ligne non combustible est de 1/2 po (13 mm) des côtés et de 2 po (51 mm) au-dessus des combustibles couverts. Veuillez noter que cela n'inclut pas le dégagement minimum directement au-dessus du foyer à l'intérieur de l'enceinte.



Dégagements

Dégagements dans l'enceinte

Plafond de l'enceinte

La partie supérieure intérieure de l'enceinte doit être recouverte d'un matériau incombustible (coupe-feu). Aucun matériau combustible exposé n'est autorisé à l'intérieur de l'enceinte

Dégagement au sol

Le dégagement minimum au sol est de 4 ¼ po (108 mm), ce qui est assuré par la hauteur minimale des pieds. Ne retirez pas les pieds et n'installez pas l'appareil d'une manière qui contournerait cette élévation minimale.

! NOTE : Installez l'appareil sur du métal dur, des panneaux de ciment, des cloisons sèches ou des surfaces en bois, en étendant toute la largeur et la profondeur.

AVERTISSEMENT

NE PAS installer directement sur du tapis, du vinyle ou tout autre matériau combustible autre que le bois.

Dégagements supplémentaires

Dégagement au plafond

La hauteur de plafond minimale requise pour l'installation de tous les modèles est de 96 po (2,4 m).

Le dégagement minimum requis du haut de la vitre au plafond est de 60 po (1,52 m).

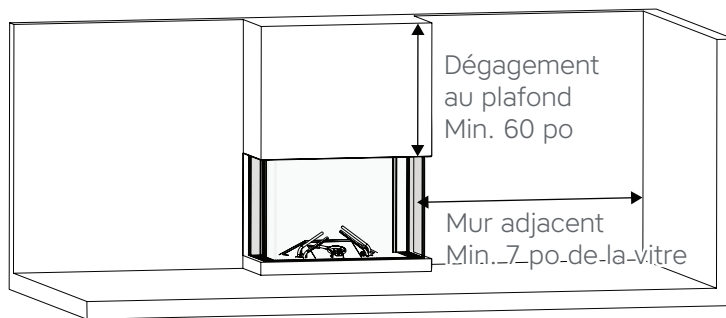
Le dégagement de chaleur au-dessus du foyer est essentiel pour maintenir l'enceinte et les murs environnants à une température relativement basse.

Dégagement au mur adjacent

La distance minimale à tout mur adjacent est de 7 po de la vitre pour tous les modèles.

Dégagement avant

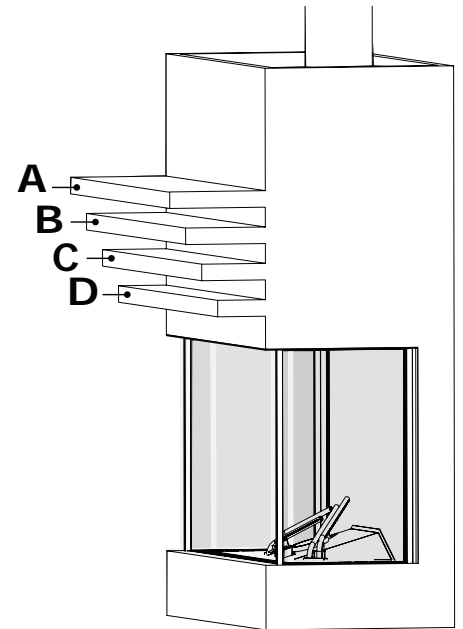
Ne placez pas de meubles ou d'objets combustibles à moins de 36 pouces (0,9 m) de la façade en verre de l'appareil.



Dégagement du manteau

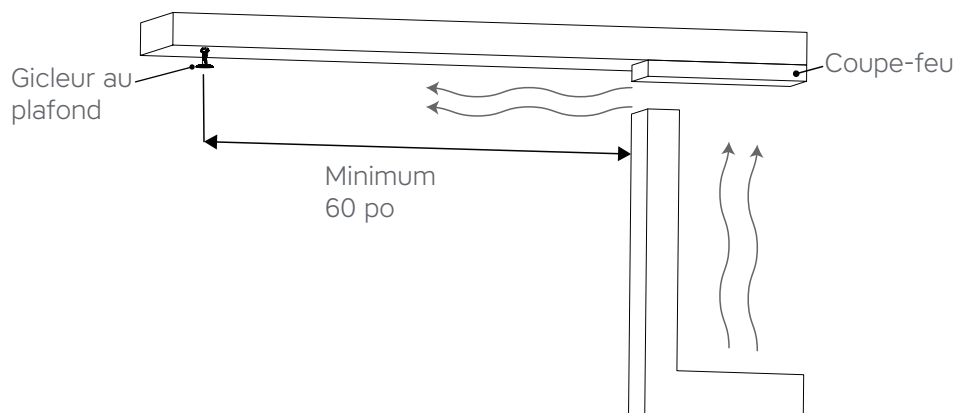
Le dégagement nécessaire pour un manteau en matériau combustible (par exemple, en bois) varie selon la profondeur et la hauteur du manteau. Utilisez le tableau et l'illustration suivants pour plus d'informations sur les exigences de dégagement du manteau pour les manteaux faits de matériaux combustibles installés à moins de 10 po au-dessus du haut du foyer. N'ancez aucun manteau ou étagère au foyer. N'utilisez que des poteaux métalliques au-dessus du foyer comme ancre point.

Ref.	Hauteur	Profondeur maximale
-	> 10 po	Aucun maximum
A	10 po	12 po
B	6 po	6 po
C	4 po	4 po
D	2 po	1 po



Dégagement à un gicleur

Dans une installation où une tête de gicleur est installée à proximité d'un dégagement de chaleur, le diagramme ci-dessous DOIT être suivi. La distance entre la tête de gicleur et l'ouverture de dégagement de chaleur ne peut pas être inférieure à 60 po (1524 mm) de longueur à chaque point depuis l'origine du dégagement de chaleur. Vous devez également vérifier que le capteur de la tête de gicleur est réglé sur le bon réglage de chaleur afin qu'il ne s'active pas lorsque la pièce se réchauffe lorsque le foyer fonctionne normalement. Veuillez suivre le code du bâtiment local pour déterminer le réglage de température qui convient à votre installation.



AVERTISSEMENT

Les plafonds voûtés peuvent créer un canal qui achemine l'air chaud directement vers une tête de gicleur placée à la bonne distance du dégagement de chaleur, comme indiqué ci-dessus. Si le capteur de tête de gicleur n'est pas évalué pour une chaleur élevée, il pourrait potentiellement déclencher le système de gicleurs par inadvertance. Veuillez travailler avec le constructeur et l'inspecteur pour vérifier que votre système d'arrosage est correctement réglé pour s'adapter à des températures plus élevées et n'est pas installé dans un canal de chaleur.

Dégagements

Finition du devant du foyer

Un matériau de finition incombustible (tel que panneau de ciment de 1/2 po (13 mm), brique, pierre, tuile ou cloison sèche de 5/8 po de type X au minimum) DOIT être utilisé pour la finition autour de l'avant de l'appareil. Un matériau combustible couvert peut être utilisé pour finir autour du foyer si la distance appropriée du foyer est maintenue.

Le matériau de finition non combustible doit protéger tout matériau de finition combustible installé au-dessus du verre du foyer. Voir «Dégagement du manteau» pour les exigences.

NE PAS connecter de matériaux ni percer dans le cadre du foyer en métal. Cela peut entraîner un transfert de chaleur excessif et/ou endommager le foyer et les matériaux environnants.

Évacuation de chaleur et prise d'air

Évacuation de chaleur

Ce foyer nécessite une ou plusieurs évacuation(s) de chaleur situées au-dessus du foyer pour permettre à l'air chaud de refluer dans la pièce et de garder le mur du foyer frais.

La surface totale d'évacuation de chaleur doit être d'au moins 200 po² (1290 cm²). Une plus grande zone d'évacuation de chaleur est recommandée là où l'application le permet, car cela aidera à réduire la température du mur environnant. L'évacuation de chaleur ne doit pas être évacuée à l'extérieur, car cela pourrait exposer le foyer aux éléments extérieurs.

! NOTE : Les dimensions minimales recommandées fournies pour le dégagement de chaleur sont mesurées pour l'espace aérien ouvert. Lors de l'utilisation d'accessoires tels que des grilles de ventilation, l'ouverture doit être agrandie pour tenir compte de l'espace aérien réduit.

La sortie de dégagement de chaleur du boîtier mural DOIT rester ouverte. La sortie doit être située dans la partie supérieure de l'enceinte, mais pas nécessairement à l'avant, tant que les dimensions exigées sont maintenues. Les ouvertures de dégagement de chaleur peuvent être installées à l'avant, sur les côtés (un de chaque côté), à l'arrière ou sur le dessus (dans le cas d'une conception de mur suspendu, où le haut du mur ne rencontre pas le plafond) de l'enceinte.

Le haut de la ou des évacuation(s) de chaleur doit être situé entre 1 et 3 po (25 mm - 76 mm) du coupe-feu ou du plafond. Pour les installations où le haut d'une évacuation de chaleur est inférieur à 3 po, il est recommandé d'utiliser un panneau résistant au feu au plafond. Un coupe-feu incombustible doit être placé en haut de l'intérieur de l'enceinte et doit être encadré de manière à ne pas former de poches de chaleur, qui devraient pouvoir monter jusqu'au coupe-feu et circuler librement à travers l'évent pour entrer dans la pièce.

Prise d'air

Ce foyer nécessite une prise d'air située sous le foyer.

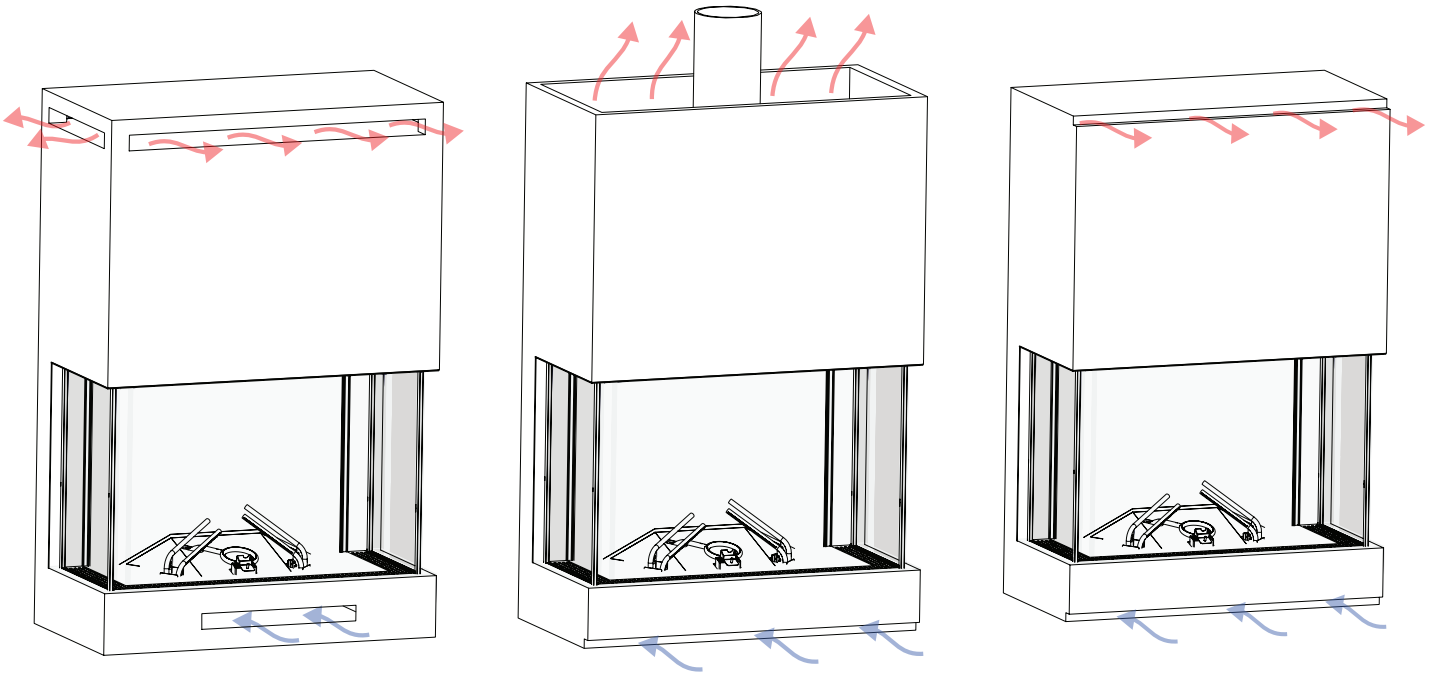
La surface totale d'admission d'air doit être d'au moins 100 pouces carrés (645 cm²).

! NOTE : Les dimensions minimales recommandées fournies pour la prise d'air sont mesurées pour l'espace aérien ouvert. Lors de l'utilisation d'accessoires tels que des grilles de ventilation, l'ouverture doit être agrandie pour tenir compte de l'espace aérien réduit.

L'ouverture d'admission d'air peut également être utilisée comme porte d'accès à la vanne de gaz, si elle répond à la fois aux exigences de taille de la porte d'accès et de l'ouverture d'admission d'air. L'ouverture d'entrée d'air peut être installée sur les côtés du boîtier (un de chaque côté) ou à l'avant.

Évacuation de chaleur et prise d'air

Exemples d'évacuations de chaleur et de prises d'air



Registres

Les ouvertures à l'avant, sur les côtés ou à l'arrière (en choisir une ou plusieurs) peuvent être recouvertes de registres de ventilation. Il est possible de chauffer plusieurs pièces de cette façon.

Mur court

Le mur n'atteint pas le plafond et reste ouvert en haut.

Dissimulé

Un renforcement cache l'ouverture en haut pour une évacuation de chaleur et/ou en bas pour la prise d'air.

Informations sur le montage dessous téléviseur

AVERTISSEMENT

Veillez noter que la plupart des fabricants et manuels de téléviseurs exigeront que téléviseur ne soit pas installé au-dessus ou près d'un foyer. Le montage d'un téléviseur au-dessus du foyer est basé sur la décision et la responsabilité du propriétaire. Faber ne sera pas tenu responsable des effets négatifs sur un téléviseur, des tableaux ou d'autres équipements situés à proximité de l'appareil. Il est de la responsabilité du propriétaire ou de l'installateur de vérifier que le téléviseur ou le tableau peut résister aux températures des murs sur le site d'installation.

La conception du foyer permet de diriger la chaleur du foyer dans la cheminée pour qu'elle soit libérée par la sortie de dégagement de chaleur supérieure. La conception permet une température relativement basse sur le mur extérieur au-dessus du foyer.

Suivez les tableaux et les instructions ci-dessous pour suggérer l'installation d'un téléviseur au-dessus du foyer

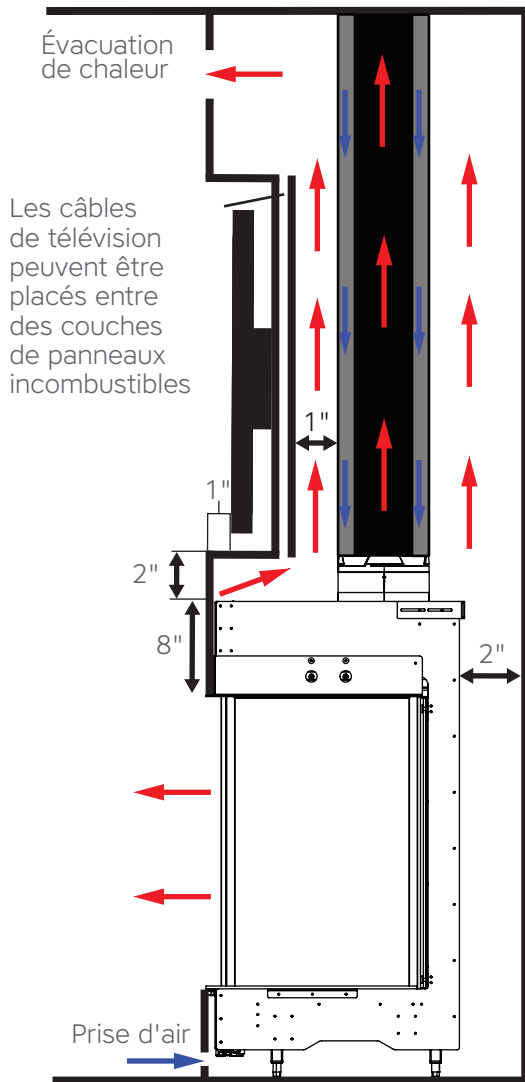
- Veillez noter que le câblage électrique utilisé pour le téléviseur doit être isolé pour la chaleur lorsqu'il est installé à l'intérieur de l'enceinte au-dessus du foyer.
- Il est essentiel que l'isolation du câblage n'empêche pas le flux d'air chaud de se rendre à la partie supérieure de l'enceinte pour être renvoyé dans la pièce par l'évacuation de chaleur.
- Tous les fils DOIVENT être fixés et ancrés au cadre pour éviter toute possibilité de chute de fils sur le dessus du foyer.
- Une double couche de cloison sèche est recommandée dans la zone derrière le téléviseur pour permettre l'installation des câbles et autres matériaux connexes sans bloquer le flux d'air chaud. Utilisez un matériau incombustible pour la double paroi.
- Les fils doivent être insérés dans le renforcement par le haut ou les côtés afin d'éviter la proximité de l'évacuation de chaleur du foyer ou de l'entrée d'air.
- L'installation d'isolation au-dessus du foyer peut entraîner un risque d'incendie. Le flux d'air au-dessus du foyer doit rester ouvert pour permettre à la chaleur de s'échapper du haut de l'enceinte.
- Lorsque vous installez un téléviseur au-dessus du foyer sans l'encastrier, un manteau doit être installé entre le haut du foyer et le bas du téléviseur pour éviter d'exposer le téléviseur à une chaleur excessive.
- Pour réduire la chaleur autour et en dessous du téléviseur, augmentez la taille de la sortie de l'évacuation de chaleur autant que l'installation le permet. TOUJOURS suivre les exigences minimales de dégagement de chaleur.
- Voir les images pour plus d'informations sur les dégagements minimaux pour les différentes options d'installation du téléviseur. Toutes les dimensions indiquées sont des dimensions minimales. Le flux d'air chaud à l'intérieur de la poursuite (marqué en flèches rouges) doit être maintenu et libre de toute obstruction pour permettre à la chaleur de s'échapper librement en haut de la poursuite.

AVERTISSEMENT

Maintenez un flux d'air ouvert entre le foyer et les panneaux muraux. Assurez-vous que les câbles ou tout autre matériau ne bloquent pas la circulation d'air chaud.

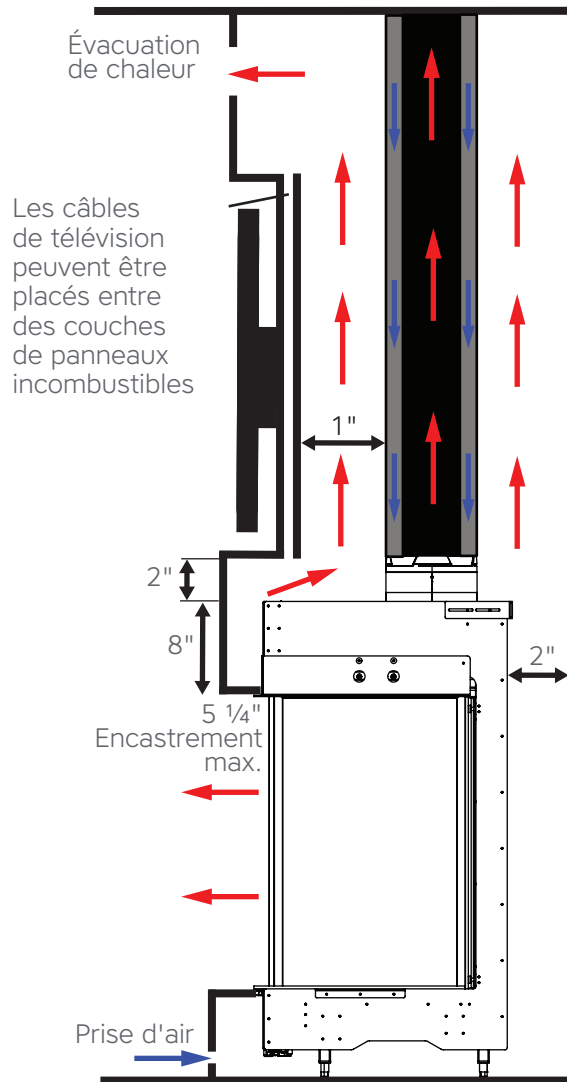
Informations sur le montage dessous téléviseur

Téléviseur encastré



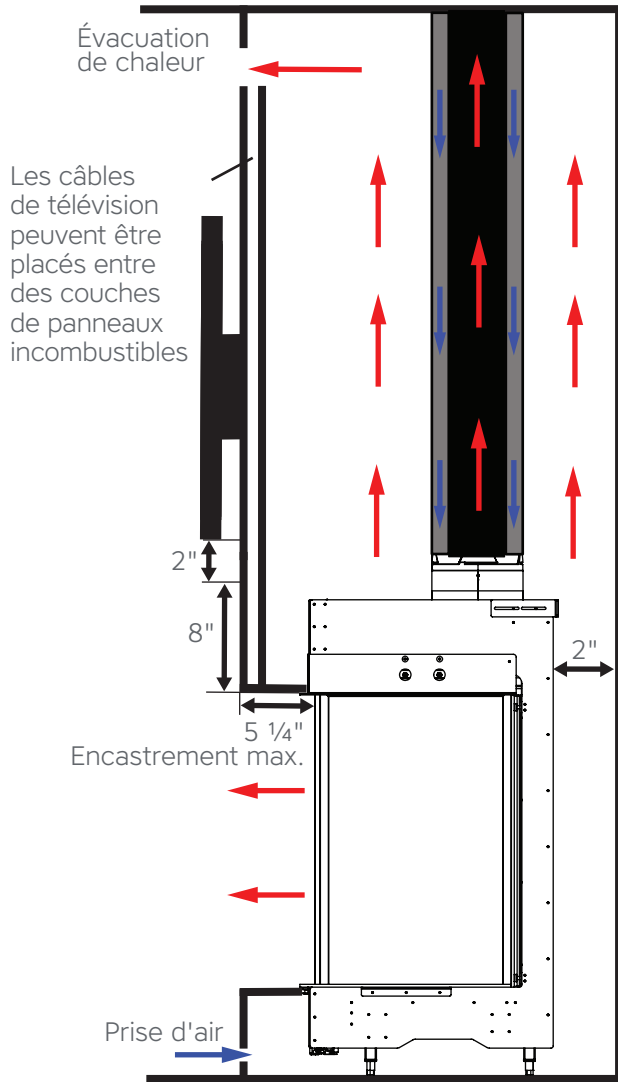
* Toutes les mesures indiquées sont des exigences minimales

Téléviseur encastré et foyer encastré



* Toutes les mesures indiquées sont des exigences minimales

Foyer encastré

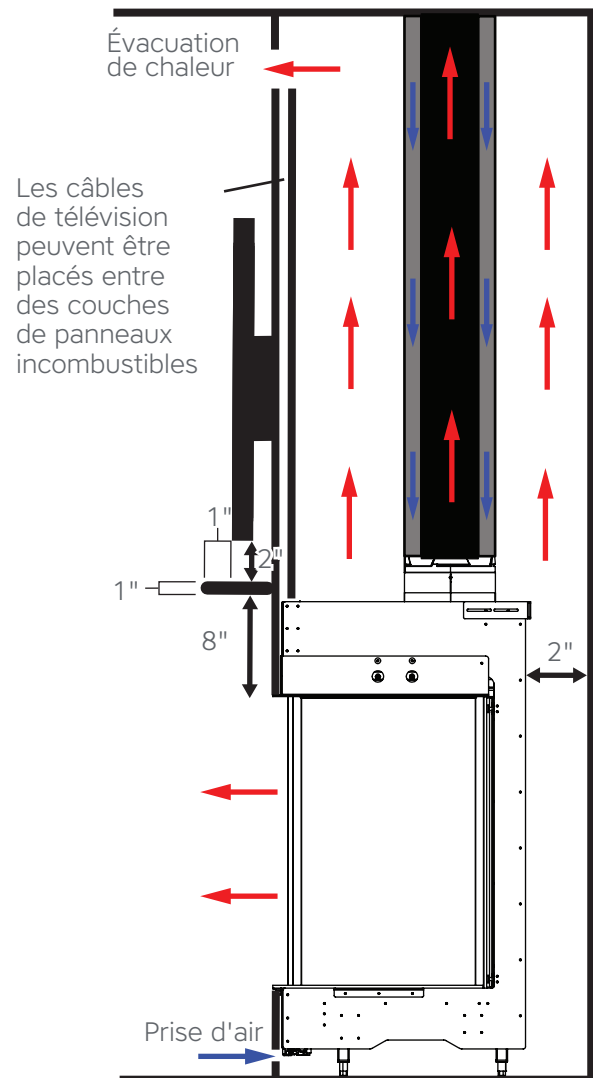


* Toutes les mesures indiquées sont des exigences minimales

Aucun encastrement - avec manteau

Exigences minimales pour l'installation d'un téléviseur sans encastrement :

- Le téléviseur doit être au moins 11 po au-dessus de la vitre du foyer.
- Un manteau d'au moins 1 po d'épaisseur et de 6 po de profondeur doit être installé à au moins 8 po au-dessus du verre.
- Le téléviseur doit être à au moins 2 po au-dessus du manteau et à 1 po en arrière du bord du manteau.



* Toutes les mesures indiquées sont des exigences minimales

Installation du gaz

Général

AVERTISSEMENT **RISQUE D'INCENDIE OU D'EXPLOSION!**

- Toute manipulation et installation de gaz doit être effectuée par un technicien d'entretien ou un installateur qualifié.
- L'accumulation de gaz pendant la purge de la ligne pourrait s'enflammer. Assurer une ventilation adéquate. Assurez-vous qu'il n'y a pas de sources d'inflammation, d'étincelles ou de flammes nues.
- **Ne modifiez pas le réglage du robinet de gaz!** Le robinet de gaz du foyer a été pré-réglé en usine.
- L'installation d'un robinet de gaz manuel externe avant le raccordement au foyer est nécessaire.
- Assurez-vous de vérifier les fuites de gaz avant d'allumer le foyer pour la première fois. N'utilisez pas de flamme nue pour vérifier les fuites de gaz.

Cet appareil et sa vanne d'arrêt individuelle doivent être déconnectés du système de tuyauterie d'alimentation en gaz pendant tout test de pression de ce système à des pressions de test supérieures à 1/2 psig (3,5 kPa).

Cet appareil doit être isolé du système de tuyauterie d'alimentation en gaz en fermant son robinet d'arrêt manuel individuel pendant tout test de pression du système de tuyauterie d'alimentation en gaz à des pressions d'essai égales ou inférieures à 1/2 psig (3,5 kPa).

Faites installer la conduite d'alimentation en gaz conformément aux codes locaux, le cas échéant. S'il n'est pas disponible, suivez ANSI 223.1.

L'installation doit être effectuée par un installateur qualifié agréé et/ou agréé selon les exigences de la localité (dans le Commonwealth du Massachusetts, l'installation doit être effectuée par un plombier ou un installateur de gaz agréé).

1. Déplacez l'appareil en position et fixez-le au mur à l'aide du support arrière ou latéral.
2. Installez une soupape à gaz manuelle avant le raccordement à la soupape automatique de l'appareil du foyer.
3. Connectez la conduite de gaz au foyer. L'appareil est conçu pour accommoder une alimentation en gaz de 1/2 po (13 mm).
4. Connectez l'alimentation en gaz conformément aux codes locaux, CAN/CSA-B149.1 au Canada ou au code national du gaz combustible actuel, ANSI 2223.1/NFPA 54 aux États-Unis.
5. Vérifiez les fuites de gaz en utilisant une solution de vérification des fuites non corrosive disponible dans le commerce avant d'utiliser l'appareil à gaz.
6. Mesurer et documenter la pression de gaz ci-dessous :
Entrée ___ CE Brûleur (collecteur) ___ CE
Assurez-vous que la pression d'entrée min/max correspond au tableau ci-dessous.
7. Vérifiez les pressions minimales lorsque d'autres appareils ménagers au gaz fonctionnent.
8. L'allumage du foyer pour la première fois peut prendre un certain temps jusqu'à ce que la conduite soit purgée.

! NOTE : Ne placez pas la soupape à gaz ou les commandes au-dessus du niveau du brûleur.

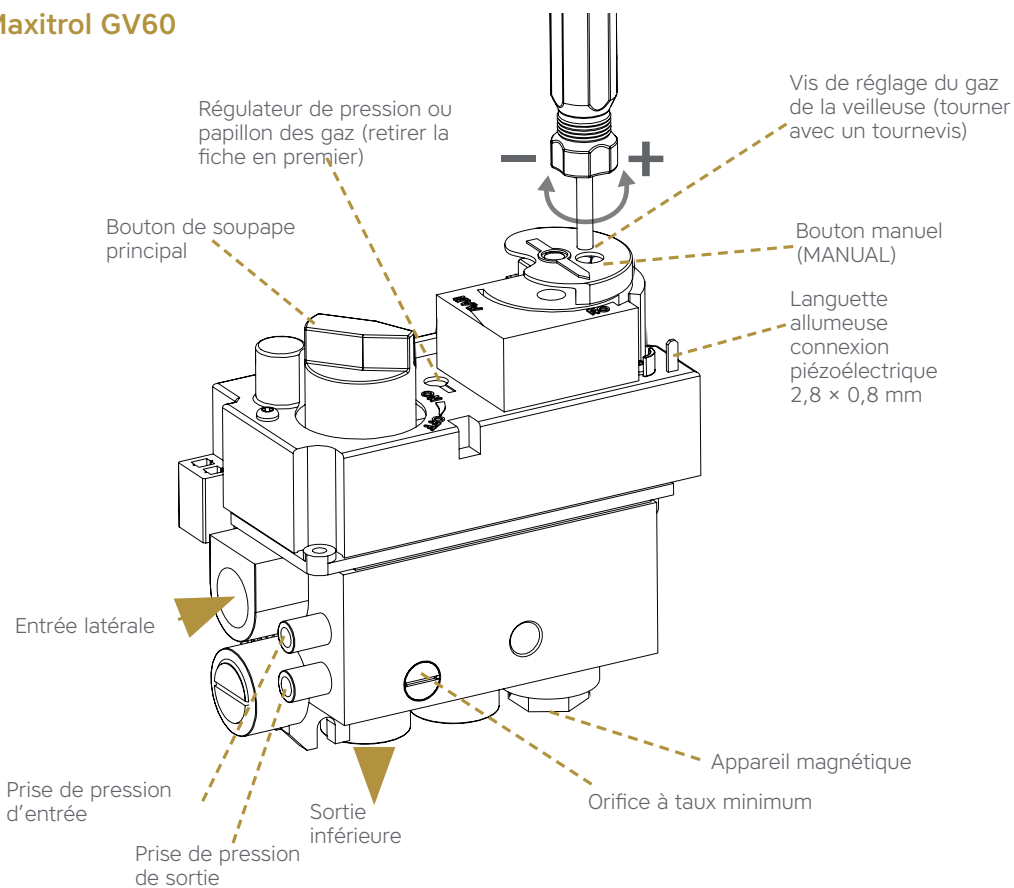
	Gaz naturel	Propane
Pression d'entrée	7,0" CE	11,0" CE

AVERTISSEMENT **RISQUE D'INCENDIE OU D'EXPLOSION!**

Une pression trop élevée endommagera la valve. Une pression trop basse peut provoquer une explosion.

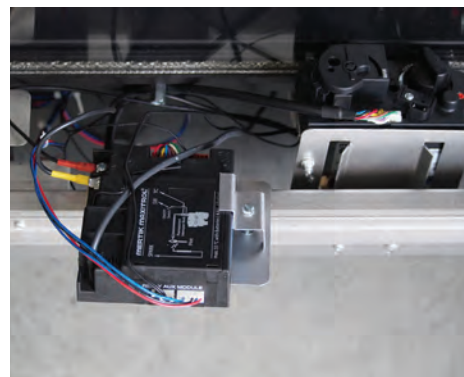
Soupape à gaz

Soupape à gaz Maxitrol GV60



Accès à la soupape à gaz et au récepteur électronique

1. Retirez la garniture inférieure et l'écran de sécurité.
2. Retirez la grille inférieure (en photo ci-dessous).
3. Les composants sont désormais accessibles pour l'installation et le service.



Installation du gaz

Installation à haute altitude

Ce foyer est testé et approuvé pour des installations à des altitudes de 0 à 4500 pieds (0 à 1372 m) au-dessus du niveau de la mer en utilisant les tailles d'orifice de brûleur standard. Au moment de l'installation, il faut déterminer si l'appareil doit être déclassé. Contactez votre fournisseur de gaz local pour connaître les exigences de dégraissage pour votre région.

L'installation déclassée peut commencer à 2000 pieds (610 m) au-dessus du niveau de la mer.

À des altitudes plus élevées, la quantité de BTU de carburant livrée doit être réduite soit en utilisant du gaz qui a été déclassé par la compagnie de gaz, soit en changeant l'orifice du brûleur à une taille plus petite, conformément aux réglementations des autorités locales compétentes et des États-Unis. Code national du gaz combustible NFPA 54 / ANSI 2223.1 - dernière édition ou au Canada, le Code CAN / CSA-B149.1 - dernière édition.

Porte d'accès au robinet de gaz

! NOTE : Ce foyer possède une soupape à gaz et un système de contrôle qui peuvent être étirés jusqu'à 46 po (1,2 m) à partir *du milieu* du foyer et être placés à côté de l'emplacement de la porte d'accès.

La porte d'accès peut être placée de n'importe quel côté du foyer, sous la ligne incombustible. Ne placez pas la soupape à gaz ou les commandes au-dessus du niveau du brûleur. Si le foyer doit reposer bas sur le sol, les commandes doivent être placées à l'extérieur de la zone incombustible ou isolées de la chaleur du foyer.

L'utilisation d'une porte d'accès de 10 po x 10 po (254 x 254 mm) est fortement recommandée. Si aucune porte d'accès n'est installée, il est possible d'accéder au robinet de gaz de l'intérieur du foyer en retirant le tamis extérieur et le couvert.

La porte d'accès peut également être utilisée comme une entrée d'air inférieure tant que les exigences d'ouverture sont maintenues. Voir la section "Prise d'air" pour plus de détails.

La porte d'accès peut être dissimulée de plusieurs façons, comme un couvercle de ventilation HVAC, des tuiles amovibles installées avec des sangles velcro et plus encore.

Commonwealth de Massachusetts

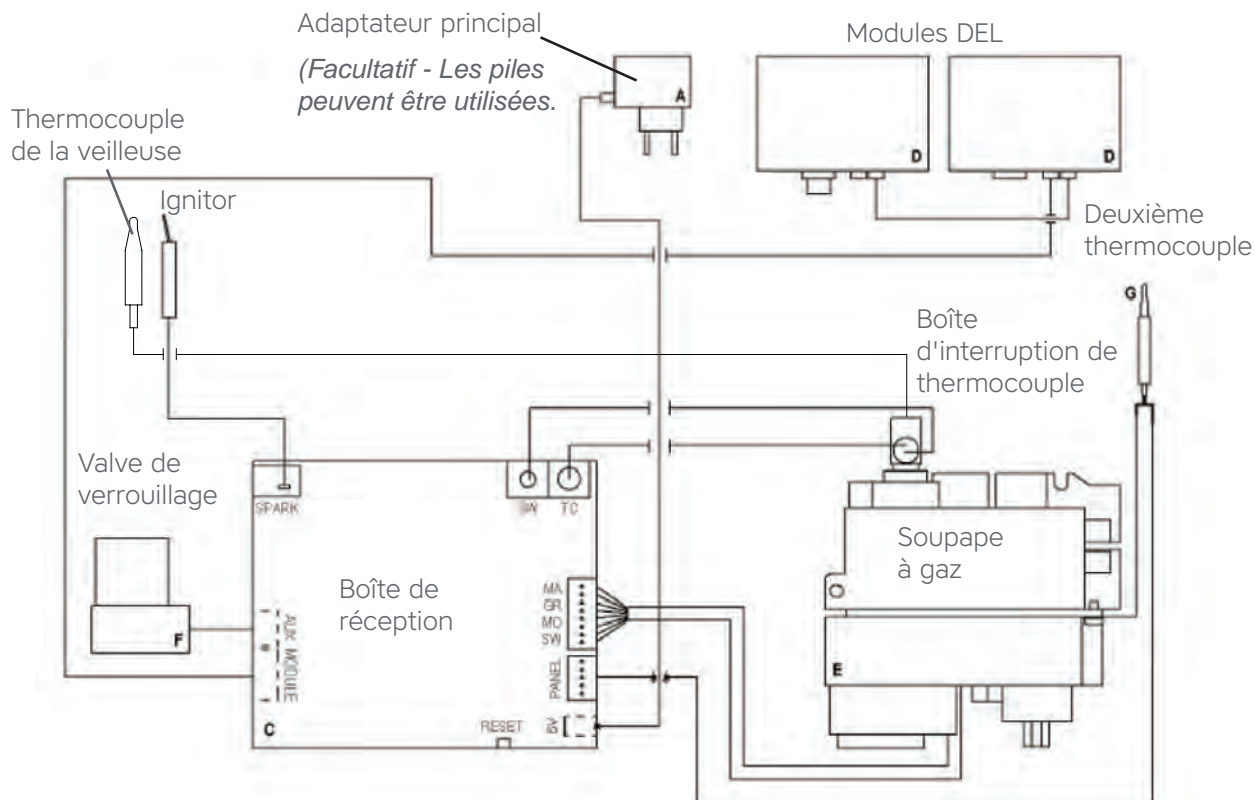
Exigences relatives à l'installation de détecteurs de monoxyde de carbone et à l'affichage aux sorties d'évacuation pour l'État du Massachusetts

Les exigences suivantes s'appliquent à tous les appareils à gaz à évacuation par sortie horizontale au mur installés dans une habitation, édifice ou structure utilisés en tout ou en partie à des fins résidentielles, incluant les propriétés du Commonwealth, et lorsque la sortie d'évacuation est placée à moins de sept (7) pieds au-dessus du niveau du sol, incluant, mais non limité aux terrasses et porches :

1. **INSTALLATION DE DÉTECTEURS DE MONOXYDE DE CARBONE.** Au moment de l'installation d'un appareil à gaz à évacuation par sortie horizontale au mur, le plombier ou le technicien du gaz faisant l'installation doit s'assurer qu'un détecteur de monoxyde de carbone muni d'une alarme et d'une pile de secours est installé et raccordé à un circuit électrique par raccordement fixe sur le même étage sur lequel l'appareil à gaz doit être installé. De plus, le plombier ou technicien du gaz faisant l'installation doit s'assurer qu'un détecteur de monoxyde de carbone muni d'une alarme et à raccordement fixe ou à pile se trouve sur chacun des étages de l'habitation, édifice ou structure dans lequel l'appareil à gaz doit être installé. Le propriétaire de l'habitation, édifice ou structure est responsable de retenir les services de professionnels qualifiés et agréés pour l'installation de détecteurs de monoxyde de carbone à raccordement fixe.
 - a. Dans le cas où l'appareil à gaz à évacuation par sortie horizontale au mur serait installé dans un espace restreint ou un grenier, le détecteur de monoxyde de carbone à raccordement fixe muni d'une alarme et d'une pile de secours peut être installé à l'étage adjacent.
 - b. Dans le cas où le propriétaire ne peut répondre aux exigences pour cette subdivision au moment de l'installation, il a trente (30) jours pour satisfaire aux conditions énoncées ci-dessus et doit, pendant la période en question de trente (30) jours, faire installer un détecteur de monoxyde de carbone muni d'une alarme et fonctionnant à piles.
2. **DÉTECTEURS DE MONOXYDE DE CARBONE HOMOLOGUÉS.** Tous les détecteurs de monoxyde de carbone requis par les présentes doivent répondre aux exigences de NFPA 720 et doivent être homologués IAS et classifiés selon ANSI/UL 2034.
3. **AFFICHAGE.** Une plaque d'identification en métal ou plastique doit être fixée de façon permanente à l'extérieur de l'édifice à une hauteur minimale de huit (8) pieds au-dessus du niveau du sol et alignée avec la sortie d'évacuation d'un appareil à gaz à évacuation avec sortie horizontale au mur. Le texte suivant doit être imprimé sur la plaque, en caractères d'au moins un demi (1/2) pouce de hauteur, «GAS VENT DIRECTLY BELOW. KEEP CLEAR OF ALL OBSTRUCTIONS».
4. **INSPECTION.** L'installation d'un appareil à gaz à sortie d'évacuation horizontale au mur ne peut être approuvée par l'État ou l'inspecteur de gaz local à moins que l'inspecteur, lors de l'inspection, constate l'installation de détecteurs de monoxyde de carbone et de l'affichage tels qu'exigés par le 248 CMR 5.08(2)
 - (a) 1 à 4.
 - (b) **EXEMPTIONS :** Les exigences du règlement 248 CMR 5.08(2)(a)1 à 4 ne s'appliquent pas aux appareils suivants :
 1. Les appareils listés au chapitre 10 intitulé «Equipment Not Required to Be Vented» dans l'édition courante du NFPA 54 tel qu'adopté par le Conseil; et 2. Un appareil à gaz avec sortie horizontale au mur homologué Product Approved et installé dans une pièce ou structure séparée d'une habitation, édifice ou structure, utilisés en tout ou en partie à des fins résidentielles.
 - (c) **EXIGENCES POUR LE FABRICANT—FOURNISSANT LE SYSTÈME D'ÉVACUATION POUR APPAREILS À GAZ.** Lorsque le fabricant d'un appareil à gaz avec sortie horizontale au mur homologué Product Approved fournit une configuration de système d'évacuation ou des accessoires d'évacuation avec l'appareil, les instructions fournies par le fabricant pour l'installation de l'appareil et du système d'évacuation doivent inclure :
 1. Des instructions détaillées sur la configuration du système d'évacuation ou sur les accessoires d'évacuation; et
 2. Une liste complète des pièces requises par la configuration du système d'évacuation ou par le système d'évacuation.
 - (d) **EXIGENCES POUR LE FABRICANT—NE FOURNISSANT PAS LA CONFIGURATION OU LE SYSTÈME D'ÉVACUATION.** Lorsque le fabricant d'un appareil à gaz avec sortie horizontale au mur homologué **Product Approved** ne fournit pas les pièces pour l'évacuation des gaz de combustion, mais identifie un «système d'évacuation spécial», les exigences suivantes doivent être remplies par le fabricant :
 1. Les instructions relatives au «système d'évacuation spécial» doivent être incluses avec les instructions d'installation de l'appareil; et
 2. Le «système d'évacuation spécial» doit être homologué Product Approved par le Conseil et les instructions du système doivent inclure une liste de pièces et des instructions d'installation détaillées.
 - (e) Une copie des instructions d'installation de l'appareil à gaz avec sortie horizontale au mur homologué **Product Approved**, des instructions pour le système d'évacuation, des listes de pièces pour les instructions d'évacuation et/ou des instructions de la configuration du système d'évacuation doivent être conservées avec l'appareil lorsque l'installation est complétée.

Électricité et contrôle

Schéma de câblage



Source d'alimentation

AVERTISSEMENT

Cet appareil doit être câblé électriquement et mis à la terre conformément aux codes locaux ou, en l'absence de codes locaux, au National Electric Code ANSI / NFPA 70 dernière édition ou au Code canadien de l'électricité CSA C22.1. Un circuit 110–120 V CA pour ce produit doit être protégé par une protection contre les interrupteurs de fuite à la terre, conformément aux codes électriques applicables, lorsqu'il est installé dans des endroits tels que des salles de bains ou à proximité d'éviers.

Le système électrique peut être alimenté en branchant l'adaptateur dans une prise mise à la terre ou en installant 4 piles AA (alcalines UNIQUEMENT). Si aucun adaptateur secteur A/C n'est utilisé, le remplacement des piles est recommandé au début de chaque saison de chauffage dans le cadre du contrôle d'entretien annuel. Le boîtier récepteur est équipé d'un indicateur de piles faibles, qui émet fréquemment un bip pendant 3 secondes lorsque le moteur tourne.

Interrupteur mural - en option



Si vous souhaitez installer l'option d'interrupteur mural, vous devez vous procurer la trousse accessoire d'interrupteur mural GV60, ainsi que le câble de 2^{ème} thermocouple (G60-ZCTCR/[...]) auprès de votre détaillant de foyer au gaz autorisé.

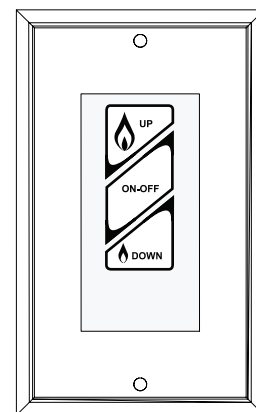
L'interrupteur mural GV60 peut être acheté séparément en option pour contrôler le foyer. La trousse accessoires en option contient un interrupteur mural, une plaque murale et un câble disponible en différentes longueurs.

Les opérations suivantes peuvent être effectuées à partir de l'interrupteur mural:

- Allumer et éteindre le foyer.
- Augmenter et diminuer la hauteur de la flamme.

Le thermostat et les fonctions de programmation ne sont pas disponibles avec l'interrupteur mural.

Le récepteur du foyer répondra à la fois à l'interrupteur mural ou aux commandes à distance, peu importe ce qui a été utilisé pour allumer le système à l'origine.



Combinaison avec interrupteur mural

1. Retirez le câble branché dans la connexion du faisceau de l'interrupteur mural (Image 1) et remplacez-le par le câble fourni dans la trousse accessoire d'interrupteur mural.
2. Insérez la borne à sertir MOLEX du câble de 2^{ème} thermocouple (G60-ZCTCR/[...]) dans le trou de connecteur ouvert de la fiche (voir image 2). Écoutez qu'il y ait un «clac».
3. Insérez la prise isolée dans la borne isolée du 2^{ème} thermocouple.
4. Insérez le connecteur dans le récepteur (voir image 3)..

Image 1 : Emplacement de la connexion du faisceau de l'interrupteur mural indiqué par la flèche

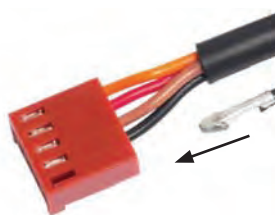
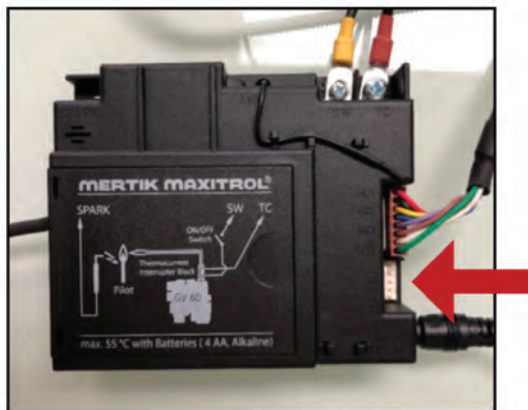


Image 2 : Verrouiller la borne à sertir MOLEX du câble G60-ZCTCR... à l'intérieur du trou de connecteur de la fiche.



Image 3 : Insérez le connecteur dans le récepteur.

Installation finale

Arrangement du lit de braises

Suivez les instructions ci-dessous pour savoir comment ajouter et organiser des médias dans votre foyer:

- Ne placez aucun type de support sur la veilleuse ou devant la veilleuse. Gardez une distance de 1 po de la veilleuse pour assurer son bon fonctionnement.
- Les bûches sont spécialement conçues pour s'adapter sur de nombreux brûleurs. Veuillez vous assurer que les bûches s'ajustent correctement pour un fonctionnement optimal.
- Gardez la vue du capot avant de la veilleuse ouverte pour pouvoir voir l'étincelle et la flamme de la veilleuse de l'extérieur.
- Utilisez uniquement le verre concassé fourni avec l'appareil. Tout autre matériel annulera la garantie.
- Lorsque la vitre est retirée et que le support est placé, assurez-vous que le verre concassé ne tombe pas sur le cadre inférieur de vitre, car cela pourrait provoquer une rupture lors du remontage de la vitre.
- Assurez-vous que la veilleuse est libre de toute particule de verre concassé.
- Maintenez une distance minimale de 1/4 po entre le média et les panneaux de vitre du foyer.
- Reportez-vous à ce manuel pour obtenir des instructions sur la façon de retirer, de remplacer et d'organiser les bûches du foyer et les supports de vitre.

**FMG3326F, FMG3726L, FMG3726R, FMG4126B
FMG3326F-LP, FMG3726L-LP, FMG3726R-LP, FMG4126B-LP**



1. Disposez le verre concassé dans la configuration ci-dessus. Assurez-vous que le verre concassé n'est pas placé dans les zones entourées.



2. Installez les deux bûches de brûleur sur les brûleurs comme indiqué ci-dessus. Une fois placés, assurez-vous que les bûches ne bougent pas.



Gros plan de la bonne position d'installation des deux bûches avant sur les brûleurs.



3. Installez la bûche avant dans la fente et la broche avant du support de la veilleuse.



4. Positionnez les deux bûches arrière



5. Positionnez les deux petites bûches avant.

Installation finale



6. Positionnez les deux bûches avant.



7. Positionnez la bûche centrale arrière.



Correct



Incorrect

Placement correct des par rapport au placement incorrect de la décoration autour des composants de la veilleuse.

Arrangement du lit de braises

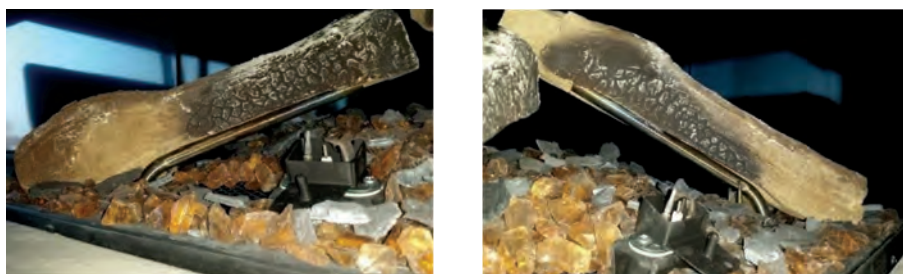
FMG4326F, FMG4726L, FMG4726R, FMG5126B
FMG4326F-LP, FMG4726L-LP, FMG4726R-LP, FMG5126B-LP



1. Disposez le verre concassé dans la configuration ci-dessus. Assurez-vous que le verre concassé n'est pas placé dans les zones entourées.



2. Installez les deux bûches de brûleur sur les brûleurs comme indiqué ci-dessus. Une fois placés, assurez-vous que les bûches ne bougent pas.



Gros plan de la bonne position d'installation des deux bûches avant sur les brûleurs.



3. Positionnez les deux bûches arrière

Installation finale



4. Installez la bûche avant dans la fente et la broche avant du support de la veilleuse.



5. Positionnez les deux petites bûches avant.



5. Placez le reste des bûches tel qu'illustré ci-dessus.



Correct

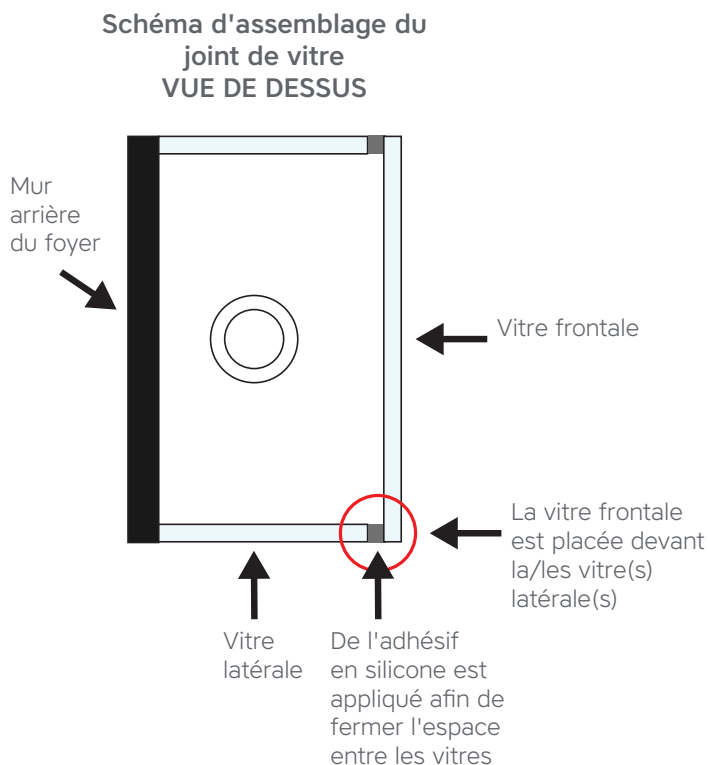


Incorrect

Placement correct des par rapport au placement incorrect de la décoration autour des composants de la veilleuse.

Manipulation des panneaux de verre

Un tube d'adhésif en silicone est fourni avec le foyer pour une application sur toutes les connexions verre à verre des deux côtés des vitres.



- Le silicone a pour but de créer un joint, non de "coller" les vitres ensemble. Lorsque vous placez des panneaux de verre, assurez-vous que la vitre est bien en place et que le silicone remplit l'espace entre les vitres. Placez d'abord le panneau avant (ou central) puis faites glisser le panneau latéral en place de sorte que le bord en silicone touche le bord en verre.
- Si le silicone doit être remplacé, un adhésif en silicone transparent RTV conçu pour une exposition prolongée à 500 ° F / 260 ° C ou plus est requis (Rutland 500°F RTV High Heat Clear Silicone Sealant est recommandé).
- Ne réappliquez du silicone que si le silicone d'origine est endommagé.
- Si un nouveau silicone est appliqué, le temps de durcissement est de 24 heures avant de faire fonctionner le foyer.
- N'utilisez pas de silicone pour sceller le verre une fois qu'il est en place.
- Utilisez toujours des outils et des agents de nettoyage appropriés pour nettoyer la vitre.

Retrait de pièces

Retrait de l'écran de sécurité

Suivez les instructions ci-dessous pour retirer l'écran de sécurité.

! NOTE : L'écran de sécurité peut être expédié séparément de l'appareil



AVERTISSEMENT

La barrière est conçue pour réduire le risque de brûlures de la vitre chaude et est fournie avec cet appareil. Il doit rester installé pour la protection des enfants et autres personnes à risque.

N'utilisez PAS le foyer sans la barrière de sécurité.

1. Desserrez les écrous d'accouplement des supports d'écran en haut à l'aide d'une petite clé ou d'un jeu de douilles.
Il y a deux écrous d'accouplement par support.
L'écran avant a deux supports et chaque écran latéral en a un.
2. Poussez le cadre supérieur de l'écran vers le haut jusqu'à ce qu'il dégage le bas de l'ouverture.
3. Inclinez le bas de l'écran vers l'extérieur et tirez-le vers le bas pour que le cadre supérieur dégage l'ouverture.

Pour réinstaller l'écran de sécurité, suivez les étapes ci-dessus dans l'ordre inverse. Assurez-vous que les écrous sont bien fixés.



PRÉCAUTIONS DE SÉCURITÉ

AVERTISSEMENT : Éteignez le foyer et laissez refroidir l'appareil avant d'essayer de retirer la vitre.

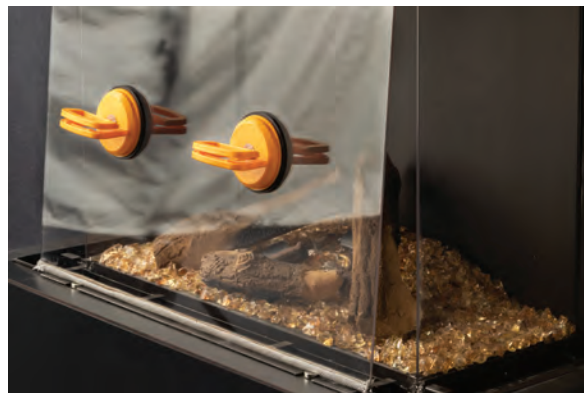
MISE EN GARDE: Le verre céramique est très fragile et doit être manipulé avec précaution.

AVERTISSEMENT : N'utilisez pas l'appareil avec la vitre enlevée, fissurée ou cassée. Le remplacement des panneaux doit être effectué par un technicien agréé ou qualifié.

! NOTE : Deux ventouses sont nécessaires pour retirer le verre. Ceux-ci sont fournis avec le foyer.



1. Desserrez les écrous d'accouplement sur le support inférieur en verre avant à l'aide d'une petite clé ou d'un jeu de douilles. Ne retirez pas complètement.
2. Retirez les écrous d'accouplement du support de verre avant supérieur à l'aide d'une petite clé ou d'un jeu de douilles. Retirez tous les écrous d'accouplement en laissant celui du milieu jusqu'à la fin.
3. À l'aide d'une lame tranchante, soigneusement couper les bords avant du mastic silicone sur les bords de vitre exposés.
4. Fixez des ventouses à la vitre. Retirez le dernier écrou d'accouplement et maintenez la vitre avec la ventouse et retirez complètement le support supérieur de la garniture. À l'aide de deux ventouses, soulevez doucement le verre et retirez le bas de la vitre du support inférieur. Faites pivoter lentement la vitre vers le bas et la retirer.
5. Placez le panneau de vitre dans un endroit sûr, en faisant attention de ne pas ébrécher les bords de verre qui sont très fragiles.



Si la vitre latérale doit être retirée, répétez également les étapes 1 à 5 pour la vitre latérale.

! NOTE : Lors du retrait de la vitre latérale, les supports arrière devront également être desserrés avec une petite clé ou un jeu de douilles avant de pouvoir retirer la vitre.



MISE EN GARDE : Lorsque vous remettez le verre en place, **NE SERREZ PAS** excessivement les boulons, sinon le verre pourrait se casser.

Pièces de rechange

1	Ventouse (1)		9600820100RP
2	Petit tube de silicone		0800310100RP
3	Ensemble de bûches Matrix 800 GN	FMG3326F/FMG3726L/FMG3726R/FMG4126B	0443080100RP
4	Ensemble de bûches Matrix 800 PL	FMG3326F-LP/FMG3726L-LP/FMG3726R-LP/FMG4126B-LP	0478820100RP
5	Ensemble de bûches Matrix 1050 PL	FMG4326F-LP/FMG4726L-LP/FMG4726R-LP/FMG5126B-LP	0478830100RP
6	Bûches Matrix PL (inclus seulement les 2 bûches de brûleur)	Tous les appareils au propane	0478840100RP
7	Verre concassé, orange 10-20 mm, 2 kg		1400160100RP
8	Télécommande (918 Mhz Symax, 10-boutons, noir)		3002230100RP
9	Adaptateur de courant 120V		2100310100RP
10	Couvert en verre de DEL		5904020100RP
11	Veilleuse à gaz naturel SIT/Module d'allumage avec thermocouple	Tous les appareils au gaz naturel	1800020100RP
12	Brûleur 1	Tous les appareils au gaz naturel	0500200100RP
13	Brûleur 2	Tous les appareils au gaz naturel	0500210100RP
14	Anneau du brûleur	Tous les appareils au gaz naturel	0500220100RP
15	Brûleur 3	Tous les appareils au gaz naturel	0500230100RP
16	Brûleur 4	Tous les appareils au gaz naturel	0500240100RP
17	Veilleuse au propane SIT/Module d'allumage avec thermocouple	Tous les appareils au propane	1800070100RP
18	Brûleur 1 PL	Tous les appareils au propane	0500310100RP
19	Brûleur 2 PL	Tous les appareils au propane	0500320100RP
20	Anneau du brûleur PL	Tous les appareils au propane	0500330100RP
21	Brûleur 3 PL	Tous les appareils au propane	0500340100RP
22	Brûleur 4 PL	Tous les appareils au propane	0500350100RP
23	Récepteur 918 MHz, Symax		3002250100RP
24	Ensemble de télécommande et récepteur		5400320100RP
25	Interrupteur, thermocouple		2800300100RP
26	Thermocouple, second brûleur		3300020100RP
27	Solénoïde 3/8 po NPT, de verrouillage GV60		1900030100RP
28	Module DEL Symbio avec fil LCD		3500090100RP
29	Câble d'allumage 25kV 4 mm 1200 mm		2500990100RP
30	Câble 8-fils 500mm		2501010100RP
31	Câble, Interrupteur-Récepteur TC		2501020100RP
32	Câble, Interrupteur-Récepteur SW		2501020200RP
33	Câble avec Molex, TC		2501030100RP
34	Câble, TC		2501030200RP
35	Écrous d'accouplement pour vitre (jeu de 4)		8100370100RP
36	Vitre frontale avec joint d'étanchéité	FMG3326F/ FMG3326F-LP	5903370100RP
37		FMG3726L/FMG3726R/FMG3726L-LP/FMG3726R-LP	5903370200RP
38		FMG4126B/FMG4126B-LP	5903370400RP
39		FMG4326F/FMG4326F-LP	5903370500RP
40		FMG4726L/FMG4726R/FMG4726L-LP/FMG4726R-LP FMG5126B/FMG5126B-LP	5903370600RP
41	Vitre latérale avec joint d'étanchéité	FMG3726L/FMG3726R/FMG3726L-LP/FMG3726R-LP	5903370300RP
		FMG4126B/FMG4126B-LP	
		FMG4726L/FMG4726R/FMG4726L-LP/FMG4726R-LP	
		FMG5126B/FMG5126B-LP	
42	Écran de sécurité frontal	FMG3326F/ FMG3326F-LP	0442980300RP
43		FMG3726L/FMG3726R/FMG3726L-LP/FMG3726R-LP	0442980400RP
44		FMG4126B/FMG4126B-LP	0442980100RP
45		FMG4326F/FMG4326F-LP	0442980600RP
46		FMG4726L/FMG4726R/FMG4726L-LP/FMG4726R-LP	0442980700RP
47		FMG5126B/FMG5126B-LP	0442980500RP
48	Écran de sécurité latérale	FMG3726L/FMG3726R/FMG3726L-LP/FMG3726R-LP	0442980200RP
		FMG4126B/FMG4126B-LP	
		FMG4726L/FMG4726R/FMG4726L-LP/FMG4726R-LP	
		FMG5126B/FMG5126B-LP	

AVERTISSEMENT

- Il est recommandé qu'un technicien d'entretien qualifié effectue une inspection de routine au début de chaque saison de chauffage.
- Coupez l'alimentation avant de tenter l'entretien ou la réparation du foyer.
- L'installation et l'entretien doivent être effectués par un installateur qualifié agréé, une agence de service ou un fournisseur de gaz.
- Tout écran ou garde de sécurité retiré pour l'entretien doit être remis en place avant d'utiliser cet appareil.
- N'UTILISEZ PAS cet appareil si une pièce a été sous l'eau. Appelez immédiatement un technicien de service qualifié pour inspecter l'appareil et remplacer toute partie du système de commande et toute soupape de gaz qui ont été sous l'eau.
- Toute altération du produit qui provoque l'accumulation de suie ou de carbone et entraîne des dommages n'est pas de la responsabilité du fabricant.
- Ne modifiez ni ne remplacez aucune pièce de cet appareil.
- Inspectez régulièrement le capuchon de ventilation externe pour vous assurer qu'aucun débris, plante, arbre ou arbuste n'interfère avec le flux d'air.
- Ne pas mettre le foyer en marche sans la vitre du foyer.
- Il est impératif que les compartiments de commande, les écrans ou le système de ventilation pour double vitrage soient maintenus propres et exempts d'obstructions.

Ces zones fournissent l'air nécessaire à un fonctionnement sûr.

- Allumez le radiateur à l'aide de l'allumeur intégré. N'utilisez pas d'allumettes ou tout autre appareil externe pour allumer le foyer.
- Ne retirez, ne remplacez ou ne modifiez jamais aucune partie de l'appareil de chauffage à moins que des instructions ne soient données dans ce manuel. Tous les autres travaux doivent être effectués par un technicien qualifié. Ne modifiez ni ne remplacez les orifices.

Consignes d'entretien

1. Fermez toujours le robinet de gaz avant le nettoyage. Pour rallumer, reportez-vous aux instructions d'éclairage. Gardez le brûleur et le compartiment de commande propres en brossant et en passant l'aspirateur au moins une fois par an. Lors du nettoyage des bûches, utilisez un pinceau doux et propre, car les bûches sont fragiles et s'endommagent facilement.
 2. Nettoyez l'appareil et la porte avec un chiffon humide (jamais lorsque l'appareil est chaud). N'utilisez jamais de nettoyeur abrasif. La vitre doit être nettoyée avec un nettoyeur pour vitres de foyer à gaz. La vitre doit être nettoyée lorsqu'elle commence à paraître tachée.
 3. Le foyer est fini avec une peinture résistante à la chaleur et ne doit être repeint qu'avec une peinture résistant à la chaleur.
 4. Vérifiez périodiquement le brûleur pour vérifier sa position et son état. Vérifiez visuellement la flamme du brûleur périodiquement, en vous assurant que les flammes sont stables; pas soulevées ou flottantes. En cas de problème, appelez un technicien qualifié.
 5. L'appareil et le système de ventilation doivent être inspectés avant utilisation, et au moins une fois par an, par un technicien qualifié, pour s'assurer que le flux d'air de combustion et de ventilation n'est pas obstrué.
- ! **NOTE** : Ne faites jamais fonctionner l'appareil sans que la vitre soit correctement fixée.
6. Si cet appareil a été réparé, vérifiez que le système d'évacuation d'air a été correctement refermé et réinstallé conformément aux instructions du fabricant.
 7. Vérifiez le fonctionnement après l'entretien.

Entretien

Entretien annuel

Le fait de ne pas inspecter et de ne pas entretenir le foyer peut entraîner une combustion incorrecte et une situation potentiellement dangereuse. Nous recommandons que les procédures suivantes soient effectuées par un technicien qualifié.

Entretien de la vitre

- Utilisez toujours des ventouses pour retirer la vitre du foyer. Utilisez la procédure manuelle pour savoir comment retirer la vitre du foyer.
- Utilisez toujours des gants lorsque vous retirez la vitre pour protéger vos mains et éviter les empreintes digitales sur le verre.
- **N'UTILISEZ PAS** de nettoyeurs abrasifs sur la vitre. N'utilisez pas de nettoyeurs pour vitres normaux (généralement à base d'ammoniac) pour nettoyer la vitre, car ces nettoyeurs peuvent laisser une tache permanente. **Seul un nettoyeur pour vitres de foyer à gaz doit être utilisé.**
- Vérifiez l'absence de fissures ou de bris dans la vitre.
- Placez la vitre dans un endroit sûr pour éviter de la casser.
- N'essayez jamais de faire fonctionner le foyer sans la vitre du foyer.

Entretien de la veilleuse

- Inspectez visuellement la flamme de la veilleuse. La flamme de la veilleuse doit toujours être présente lorsque le foyer fonctionne.
- Assurez-vous que la flamme de la veilleuse a deux pointes de flamme pointant vers le capteur de flamme (thermocouple) et vers le centre du brûleur.
- Assurez-vous que la zone de la veilleuse est propre de toute poussière, média ou tout autre débris pouvant perturber le fonctionnement du système d'allumage. Les peluches ou les corps étrangers doivent être enlevés avec une brosse ou un aspirateur.
- Vérifiez l'allumage du foyer à l'aide de l'interrupteur à distance ou mural. Vérifier l'allumage électronique, la séquence d'étincelles, le fonctionnement de la veilleuse et l'allumage du brûleur.

Entretien du brûleur

- Les flammes du brûleur doivent être contrôlées visuellement. La flamme doit avoir une base bleue et des sommets jaunes et ressembler à la flamme d'une bougie.
- Si de la suie excessive se trouve à l'intérieur de la zone du foyer, le foyer devra être ajusté. Vérifiez le réglage de l'obturateur d'air et du restricteur d'évent et documentez tout changement.
- Si la flamme devient suie, orange foncé ou extrêmement haute, ne faites pas fonctionner le foyer.
- Mesurer la pression du gaz. (Gaz naturel : 7 po CE, Propane : 11 po CE)

Entretien de l'évent

L'inspection du système de ventilation suivante par un technicien de service qualifié est recommandée tous les six mois:

- Inspectez la condensation excessive, par exemple, des gouttelettes d'eau se forment dans la doublure intérieure et s'écoulent par la suite des joints. Cela peut provoquer de la corrosion dans le système.
- Vérifiez la corrosion dans les zones exposées aux éléments. Lorsque des taches ou des trous de rouille sont apparus, ceux-ci doivent être immédiatement remplacés.
- Assurez-vous qu'il n'y a aucun corps étranger dans les événements. Évaluez en retirant le capuchon et en faisant briller une lumière dans l'évent.
- Vérifiez tous les joints et tuyaux pour vous assurer que rien n'a été dérangé ou desserré.

Inspection de la flamme

Vérifiez périodiquement les flammes de la veilleuse et du brûleur principal pour assurer un fonctionnement correct. La flamme de la veilleuse devrait avoir deux fortes flammes bleues : une qui coule autour du capteur de flamme et une qui traverse le brûleur (elle ne doit pas nécessairement toucher le brûleur).



Configuration correcte de la flamme du brûleur principal

Une configuration de flamme incorrecte aura de petites flammes probablement jaunes, n'entrant pas en contact approprié avec le brûleur arrière ou le capteur de flamme. Le fonctionnement incorrect peut aussi provoquer une accumulation de suie.

! NOTE : Si vous avez une configuration de flamme incorrecte, contactez Faber pour plus de renseignements.

Entretien

Remplacement des bûches

Le foyer ne doit jamais être utilisé avec des bûches cassées. Fermez le robinet de gaz et laissez l'appareil refroidir avant d'enlever la vitre et retirer soigneusement les bûches. (La veilleuse génère suffisamment de chaleur pour brûler quelqu'un.) Si, pour une raison quelconque, une bûche doit être remplacée, vous devez utiliser la bûche de rechange appropriée. La position des bûches doit être celle indiquée dans la section «Arrangement du lit de braises».

! NOTE : Un positionnement incorrect des bûches peut créer une accumulation de carbone et altérera gravement les performances du foyer qui ne sont pas couvertes par la garantie.

Joint d'étanchéité de la vitre

Si le joint d'étanchéité de la vitre doit être remplacé, un joint en graphite spécialement conçu pour cet appareil est nécessaire. Ce joint est fourni avec du ruban autocollant préinstallé.

Un joint est également installé sur le bord de la vitre intérieure pour protéger contre la casse lors de l'installation du verre.

Vitre

Seul un nettoyant pour vitres de foyer à gaz doit être utilisé si votre vitre doit être nettoyée. N'utilisez pas de nettoyants pour vitres normaux (généralement à base d'ammoniac) pour nettoyer la vitre, car ces nettoyants peuvent laisser une tache permanente. N'utilisez pas de matériaux ou de nettoyants abrasifs.



AVERTISSEMENT

- Ne pas nettoyer la vitre lorsqu'elle est chaude
- L'utilisation de vitre de remplacement ne provenant pas de Faber annulera toutes les garanties des produits.
- Des précautions doivent être prises pour éviter la rupture de la vitre.
- Ne pas heurter ni abuser de la vitre.
- Ne pas utiliser le foyer sans la vitre ou si elle cassée ou fissurée.
- Portez des gants et des lunettes de sécurité pour retirer le verre endommagé ou brisé.
- Le remplacement des panneaux de vitre doit être effectué par un technicien agréé ou qualifié.

1. Fermez toujours le robinet de gaz avant de nettoyer le foyer. Pour rallumer, reportez-vous aux instructions d'éclairage. Gardez le brûleur et le compartiment de commande propres en brossant et en passant l'aspirateur au moins une fois par an. Lors du nettoyage des bûches, utilisez un pinceau doux et propre, car les bûches sont fragiles et facilement endommagées.
2. Nettoyez l'appareil et la porte avec un chiffon humide (jamais lorsque l'appareil est chaud). N'utilisez jamais de nettoyant abrasif. La vitre doit être nettoyée avec un nettoyant à vitre pour foyer à gaz. La vitre doit être nettoyée lorsqu'elle commence à paraître tachée.

Remplacement de la vitre

Contactez Faber pour des pièces de rechange au besoin. Réinstallez selon les instructions fournies avec le remplacement. Réinstallez selon les instructions fournies avec le remplacement.

- Vérifiez pour des signes de condensation excessive, comme des gouttelettes d'eau se formant dans la doublure intérieure, et par la suite dégoulinant des joints, la condensation continue peut provoquer la corrosion des capuchons, des tuyaux et des raccords. Elle peut être causée par des courses latérales excessives, un trop grand nombre de coudes et des parties extérieures du système exposées au froid.
- Inspectez les joints pour vérifier qu'aucune section ou aucun raccord de tuyau n'a été perturbé et donc desserré. Vérifiez également la rigidité des supports mécaniques tels que les sangles murales ou le ruban de plombier.

Entretien général de l'évent

Effectuer une inspection du système de ventilation deux fois par an. Zones recommandées à inspecter comme suit:

1. Vérifiez le système de ventilation pour la corrosion dans les zones qui sont exposées aux éléments. Ceux-ci apparaîtront sous forme de taches ou de stries de rouille et, dans les cas extrêmes, de trous. Ces composants doivent être remplacés immédiatement.
2. Retirez le capuchon et allumez une lampe de poche dans l'évent. Retirez tout nid d'oiseau ou autre corps étranger.
3. Vérifiez les signes de condensation excessive, comme des gouttelettes d'eau se formant dans la doublure intérieure, et par la suite dégoulinant des joints, la condensation continue peut provoquer la corrosion des capuchons, des tuyaux et des raccords. Elle peut être causée par des courses latérales excessives, un trop grand nombre de coudes et des parties extérieures du système exposées au froid.
4. Inspectez les joints pour vérifier qu'aucune section ou aucun raccord de tuyau n'a été perturbé et donc desserré. Vérifiez également la rigidité des supports mécaniques tels que les sangles murales ou le ruban de plombier.

Guide de dépannage

L'appareil ne s'allume pas à l'aide de la télécommande

La télécommande n'est pas synchronisée	<p>La télécommande doit apprendre un nouveau code</p> <p>Appuyez sur le bouton de réinitialisation du récepteur et maintenez-le enfoncé jusqu'à ce que vous entendiez 2 signaux acoustiques. Après le deuxième signal acoustique plus long, relâchez le bouton de réinitialisation et dans les 20 secondes suivantes, appuyez sur ▼ (flèche vers le bas) et maintenez la télécommande jusqu'à ce que vous entendiez un long signal acoustique supplémentaire confirmant que le nouveau code est défini.</p> <p>• NOTE: si 15 à 20 secondes s'écoulent en maintenant enfoncée la touche ▼ (flèche vers le bas) et si vous entendez une longue tonalité unique, vérifiez que l'autocollant (voir ci-dessous) sur le combiné à distance et à l'arrière du récepteur est bleu, ou que l'autocollant à distance est noir et que l'autocollant du récepteur est vert.</p>
Les piles à distance sont mortes	Remplacez les piles (2 piles AAA)
Les piles du récepteur sont mortes	Remplacez les piles (2 piles alcalines AA)
Les broches du connecteur à 8 broches sont pliées	Inspectez les broches et redressez si nécessaire
Le récepteur est entouré de métal - la portée de transmission est réduite	Rapprochez la télécommande du récepteur
Interférence RF - la distance de transmission est réduite	Changer la position de l'antenne
Le récepteur est défectueux	Remplacer le récepteur
La télécommande est défectueuse	<p>Remplacer la télécommande</p> <p>Assurez-vous que les étiquettes à l'arrière de la télécommande et du récepteur correspondent en couleur. Bleu et bleu, vert à noir.</p> <p>Remplacez la télécommande si nécessaire et reprogrammez le code.</p>
Pas d'allumage, pas de tonalité	
La télécommande et le récepteur ne sont pas synchronisés	Voir ci-dessus pour vous assurer que la télécommande a le bon code pour le récepteur.
Le récepteur n'a pas d'alimentation	Vérifiez l'alimentation du récepteur
Le récepteur est défectueux	Remplacer le récepteur
Pas d'allumage; Une tonalité continue de 5 secondes (7 bips courts peuvent être entendus avant la tonalité de 5 secondes)	
Fil desserré	Inspectez les fils, serrez-les si nécessaire
Les broches du connecteur à 8 broches sont pliées	Inspectez les broches, redressez si nécessaire
Le récepteur nécessite un cycle d'alimentation	Réinitialiser le récepteur et resynchroniser la télécommande
Le récepteur est défectueux	Remplacer le récepteur
La valve est défectueuse	Remplacer la valve

Pas de flamme veilleuse et le contrôle continue de déclencher

Présence d'air dans la ligne de la veilleuse	Purger la ligne (démarrer l'allumage plusieurs fois)
Aucune étincelle au brûleur de la veilleuse	Vérifier l'éclateur; Vérifiez l'étincelle dans l'emplacement le long du câble.
	Vérifiez l'étincelle sur le récepteur en déconnectant le câble d'allumage du récepteur.
Pression d'entrée inappropriée	Confirmer que la pression du gaz est correcte pour le GN / GPL.
Problème d'étanchéité d'air autour de la veilleuse	Inspectez et corrigez au besoin
Conduite de gaz de la veilleuse obstruée	Pour tester, retirez le verre et essayez d'allumer la veilleuse avec un allume-tige long.
	Débranchez la conduite veilleuse de la vanne et vérifiez le débit de gaz.
	Réinitialisez le récepteur et essayez de rallumer
La valve est défectueuse	Remplacer la valve
Le récepteur est défectueux	Remplacez le récepteur et reprogrammez le code

La veilleuse est allumée et le contrôle continue de produire des étincelles. La vanne se ferme après 10-30 secondes.

Interrupteur de thermocouple trop serré	Contactez le service de soutien technique ou le technicien gaz
Le thermocouple est défectueux	Remplacer le thermocouple
Le récepteur est défectueux	Remplacer le récepteur

La veilleuse est allumée et les étincelles s'arrêtent. La vanne se ferme après 3-60 secondes. La vanne ne fonctionne pas manuellement.

Pas assez de tension générée par le thermocouple ou trop de résistance dans le circuit.	Utilisez un multimètre numérique réglé dans la gamme mV et mesurez la tension en connectant les cordons de test au connecteur à cosse. Le connecteur à bêche est situé sur la surface extérieure, directement à côté de l'écrou magnétique. La tension disponible doit être d'au moins 5 mV. Le fabricant doit spécifier le temps de chute de l'application. Le temps de chute peut être mesuré une fois le thermocouple chauffé.
Basse pression d'entrée	Confirmez la pression et le dimensionnement du régulateur. Remplacez si nécessaire.
Le thermocouple est défectueux	Remplacer le thermocouple
La valve est défectueuse	Remplacer la valve

3 bips courts pendant que le moteur tourne

Les piles du récepteur sont faibles	Remplacez les piles (2 piles alcalines AA)
-------------------------------------	--

La flamme de la veilleuse s'allume mais il n'y a pas d'écoulement de gaz principal

Basse pression d'entrée	Contactez le service de soutien technique ou le technicien gaz
Vanne fermée vers le débit de la veilleuse	Tournez la flamme à feu élevé en appuyant sur le bouton haut de la télécommande
La conduite principale du brûleur à gaz est sertie	Contactez le service de soutien technique ou le technicien gaz
Orifice du brûleur bouché	Contactez le service de soutien technique ou le technicien gaz
La valve est défectueuse	Remplacer la valve

Garantie

Garantie à vie limitée

Faber étend cette garantie à vie limitée à l'acheteur d'origine de cet appareil à condition que le produit reste dans le lieu d'installation d'origine. Les articles couverts par cette garantie limitée et la durée de cette couverture sont indiqués dans le tableau ci-dessous. Certaines conditions s'appliquent (voir ci-dessous).

La police n'est en aucun cas transférable, modifiable ou négociable.

Composant	Garantie pièces et main d'oeuvre		
	Durée de vie	5 ans	1 an
Chambre de combustion	✗		
Tube de brûleur en acier		✗	
Vitre (Rupture thermique uniquement)		✗	
Finitions bordures / incrustations		✗	
Panneaux et bûches		✗	
Ensemble de soupape et tous les composants de commande de gaz (ensemble de la veilleuse, électrode d'étincelle, tuyauterie de veilleuse, orifices, thermocouple)			✗
Tous les autres composants électriques (cartes de commande d'allumage, câblage, interrupteurs, bloc-batterie, systèmes de télécommande)			✗
Panneaux de vitre			✗
Composants de ventilation / ventilation			✗
Garnitures en acier inoxydable			✗
Verre concassé			✗
Toute quincaillerie			✗
Grille de sécurité			✗
Vitre (craquelure)			✗

Conditions :

La garantie protège uniquement contre les défauts de fabrication ou les composants assemblés en usine, sauf indication contraire dans la présente garantie.

Toute pièce jugée défectueuse pendant la période de garantie décrite ci-dessus sera réparée ou remplacée au choix de Faber par un distributeur agréé, un revendeur ou un agent préapprouvé et affecté à condition que la pièce défectueuse soit retournée au distributeur, revendeur ou agent d'inspection si Faber le demande. Alternativement, Faber peut, à sa seule discrétion, s'acquitter pleinement de toutes ses obligations au titre de la garantie en remboursant le prix d'achat vérifié du produit à l'acheteur d'origine. Le prix d'achat doit être confirmé par l'acte de vente original.

Le revendeur autorisé, ou un autre revendeur Faber agréé, s'il est préapprouvé par Faber, est responsable de tous les diagnostics sur le terrain et des travaux d'entretien liés à toutes les réclamations de garantie. Faber n'est pas responsable des résultats ou des coûts de fabrication des revendeurs ou agents Faber non autorisés dans la négligence de leur travail de service.

Faber se réserve le droit d'inspecter à tout moment les plaintes signalées sur place dans le domaine prétendu défectueux avant de traiter ou d'autoriser toute réclamation. Le fait de ne pas autoriser cela sur demande annulera la garantie. Toutes les réclamations au titre de la garantie doivent être soumises par le revendeur traitant la réclamation, y compris une copie de l'acte de vente (preuve d'achat par vous).

Toutes les réclamations doivent être complètes et fournir tous les détails demandés par Faber pour être pris en considération pour l'évaluation. Les réclamations incomplètes peuvent être rejetées. L'appareil doit être installé conformément aux instructions de tous les fabricants conformément au manuel.

Tous les codes locaux et nationaux requis doivent être respectés. L'installateur est responsable de s'assurer que l'appareil fonctionne comme prévu au moment de l'installation.

L'acheteur d'origine est responsable de l'entretien annuel de l'appareil, comme indiqué dans le manuel du propriétaire. Comme indiqué ci-dessous, la garantie peut être annulée en raison de problèmes causés par un manque d'entretien.

Les pièces de réparation / remplacement achetées par le consommateur auprès de Faber après l'expiration de la couverture d'origine sur l'appareil seront couvertes par une garantie de 90 jours, valable avec un reçu uniquement. Tout article défectueux sera réparé ou remplacé à notre discrétion. Aucune couverture de main-d'œuvre n'est incluse avec ces pièces.

Exclusions :

Cette garantie à vie limitée ne s'étend pas à la peinture, à la rouille ou à la corrosion de quelque nature que ce soit en raison d'un manque d'entretien ou d'une ventilation inadéquate, d'une alimentation en air de combustion, de produits chimiques corrosifs (c.-à-d. Chlore, sel, air, etc.), de joints de porte ou de verre.

Dysfonctionnement, dommages ou problèmes liés aux performances en raison des conditions environnementales, de l'emplacement, des dommages chimiques, des courants descendants, des erreurs d'installation, de l'installation par un installateur non qualifié, des composants de cheminée incorrects (y compris, mais sans s'y limiter, la taille ou le type du chapeau), erreur de l'opérateur, abus, mauvaise utilisation, utilisation de combustibles inappropriés, manque d'entretien et d'entretien réguliers, catastrophes naturelles, problèmes liés aux conditions météorologiques des ouragans, des tornades, des tremblements de terre, des inondations, des éclairs / éclairs ou des actes de terrorisme ou de guerre, qui entraînent un dysfonctionnement de l'appareil ne sont pas couverts par les termes de cette garantie à vie limitée.

Faber n'a aucune obligation d'améliorer ou de modifier un appareil une fois fabriquée (c.-à-d. Que les produits évoluent, les modifications ou mises à niveau sur le terrain ne seront pas effectuées sur les appareils existants).

Cette garantie ne couvre pas les frais de déplacement du concessionnaire pour les travaux de diagnostic ou d'entretien. Tous les taux de main-d'œuvre payés aux concessionnaires autorisés sont des taux subventionnés prédéterminés. Les concessionnaires peuvent facturer au propriétaire un voyage et des heures supplémentaires au-delà de sa subvention.

Tout appareil présentant des signes de négligence ou de mauvaise utilisation ne sera pas couvert par les termes de cette politique de garantie et peut annuler cette garantie. Cela comprend les appareils où le foyer est rouillé ou corrodé qui n'a pas été signalé comme rouillé ou corrodé dans les trois (3) mois suivant l'installation ou l'achat.

Les appareils qui montrent des signes de fonctionnement alors qu'ils sont endommagés, ou avec des problèmes connus de l'acheteur et causant d'autres dommages annuleront cette garantie.

Si le numéro de série du foyer a été modifié, supprimé ou rendu illisible la garantie sera annulée.

Les mouvements mineurs, l'expansion et la contraction de l'acier sont normaux et ne sont pas couverts par les termes de cette garantie.

Faber n'est pas responsable du retrait ou du remplacement des parements ou des finitions afin de réparer ou de remplacer tout appareil sur le terrain.

Garantie

Les dommages de fret pour les produits ou pièces ne sont pas couverts par les termes de la garantie.

Produits fabriqués ou fournis par d'autres fabricants et utilisés avec l'appareil Faber sans autorisation préalable l'autorisation de Fabermay annule cette garantie.

Limitations de responsabilité :

Le recours exclusif de l'acheteur original en vertu de cette garantie et la seule obligation de Faber en vertu de cette garantie, expresse ou implicite, contractuelle ou délictuelle, seront limités au remplacement, à la réparation ou au remboursement, comme indiqué ci-dessus. EN AUCUN CAS, Faber NE SERA TENU RESPONSABLE EN VERTU DE CETTE GARANTIE DE TOUT DOMMAGE COMMERCIAL OU DOMMAGE ACCESSOIRE OU CONSÉCUTIF À LA PROPRIÉTÉ. DANS LA MESURE PERMISE PAR LA LOI APPLICABLE, Faber N'OFFRE AUCUNE GARANTIE EXPRESSE AUTRE QUE LA GARANTIE SPÉCIFIÉE DANS LES PRÉSENTES. LA DURÉE DE TOUTE GARANTIE IMPLICITE EST LIMITÉE À LA DURÉE DE LA GARANTIE EXPRIMÉE SPÉCIFIÉE CI-DESSUS. SI LES GARANTIES IMPLICITES NE PEUVENT ÊTRE EXCLUES, ALORS CES GARANTIES SONT LIMITÉES EN DURÉE À LA DURÉE DE CETTE GARANTIE.

Certains États américains n'autorisent pas les limitations sur la durée d'une garantie implicite, ou autorisent l'exclusion ou la limitation des dommages accessoires ou indirects, de sorte que les limitations ou exclusions ci-dessus peuvent ne pas s'appliquer à vous.

Les clients situés en dehors des États-Unis doivent consulter leurs codes juridiques locaux, provinciaux ou nationaux pour connaître les conditions supplémentaires qui peuvent s'appliquer à cette garantie.

Comment obtenir le service de garantie :

Les clients doivent contacter le revendeur agréé pour obtenir le service de garantie. Dans le cas où le revendeur agréé n'est pas en mesure de fournir un service de garantie, veuillez contacter Faber par courrier à l'adresse indiquée ci-dessous. Veuillez inclure une brève description du problème et votre adresse, courriel et coordonnées téléphoniques. Un représentant vous contactera pour prendre des dispositions pour un service d'inspection et/ou de garantie.

Garant nord américain :

Glen Dimplex Americas

1367 Industrial Rd.

Cambridge (Ontario)

N3H 4W3, ON Canada

1-888-346-7539

Enregistrement du produit et assistance client :

Merci d'avoir choisi un foyer Faber. Pour fournir le meilleur support pour votre produit, nous vous demandons de remplir un formulaire d'enregistrement de produit dans les quatre-vingt-dix (90) jours suivant l'achat.

GlenDimplex AMERICAS

Améliorer les moments qui comptent le plus dans la vie

MARQUES DE GLEN DIMPLEX AMERICAS

 **Dimplex**

www.dimplex.com



CADET 

www.cadetheat.com



 **faber**

www.faberfire.com



 **nectre**

www.nectreusa.com

